



UN/CEFACT

Simple, Transparent and Effective Processes
For Global Commerce

REQUIREMENTS SPECIFICATION MAPPING (RSM)

Business Domain: Cross Industry – Supply Chain

Business Process: Delivery Process

Title: Cross Industry Delivery Process

UN/CEFACT International Trade and Business Processes Group: TBG1

Version: 2.00.00

Release: 1

Document Summary

| Document Item | Current Value |
|--|---|
| Document Title | Requirements Specification Mapping Cross Industry Delivery Process |
| Date Last Modified | 7-Sept-2010 |
| Current Document Version | 2.00.00 |
| Status | Draft |
| Document Description (one sentence summary) | Specification that describes the data model and targeted technology solutions for the delivery process. |

Contributors

| Name | Organization |
|------|--------------|
| | |
| | |

Log of Changes

| Issue No. | Date of Change | Changed By | Summary of Change |
|-----------|----------------|------------|--|
| 2.00.00 | 07-Sept-2009 | TBG1 | Provided the RSM in the format as required by ICG. |
| | | | |
| | | | |

TABLE OF CONTENTS

| | |
|--|-------------------------------------|
| 1. Preamble | 4 |
| 2. References | 4 |
| 3. Objective | 4 |
| 4. Definition of terms | 5 |
| 5. Target technology solutions | 10 |
| 6. Information payload to be implemented | 11 |
| 6.1. Conceptual Data Model for the Cross Industry Delivery Process Despatch Advice | 11 |
| 6.2. Canonical Data Model for the Delivery Process Despatch Advice | 12 |
| 6.2.1. Cross Industry Despatch Advice | 13 |
| 6.2.2. CIDDH Exchanged Document | 15 |
| 6.2.3. CIDDH Trade Transaction | 15 |
| 6.2.4. CIDDH Trade Settlement | 15 |
| 6.2.5. CIDDH Trade Delivery | 16 |
| 6.2.6. CIDDH Trade Settlement | 17 |
| 6.2.7. CIDDL Trade Agreement | 17 |
| 6.2.8. CIDDL Trade Delivery | 18 |
| 6.2.9. CIDDL Trade Settlement | 18 |
| 6.2.10. CIDDL Logistics Package | 20 |
| 6.2.11. CIDDL Trade Line Item | 15 |
| 7. Business information entity reference | 22 |
| 7.1. Basic Business Information Entities section | 22 |
| 7.2. Aggregate Business Information Entities section | 24 |
| 7.2.1. Despatch Advice ABIEs | 24 |
| 7.2.2. Common Supply Chain ABIEs | Error! Bookmark not defined. |
| 8. Core components UN/CEFACT Registry version used | 35 |
| 9. Draft Core Component reference | 35 |
| 10. Additional documentation | 35 |
| 11. Additional information | 35 |

1. Preamble

The current practice of the exchange of business documents by means of telecommunications – usually defined as e-Business presents a major opportunity to improve the competitiveness of companies, especially for Small and Medium Enterprises (SME).

Started as an initiative by CEN/ISSS Work shop eBES, the European Expert Group 1 (EEG1) – Supply Chain & e-Procurement developed the Cross Industry Despatch and Receive process in 2006. The Cross Industry Despatch and Receive process has been compiled using the EUROFER ESIDEL version 1.0 and the Boost Aero version 1.0 as a base, with contributions and submissions from: EUROFER, ODETTE, GS1, EDIFrance, EDIBUILD and Boost Aero.

After the UN/CEFACT Forum meeting in Dublin in March 2007, the BRS was further developed with requirements contributed from TBG1 members such as GS1, UBL, EDIFrance, US Department of Defense, and others. Also requirements were implemented from Construction (TBG 6). The structure was reworked according to the Buy-Ship-Pay process model developed by TBG 14. The high level entity model was based on the Buy-Ship-Pay information model jointly developed by TBG1, TBG2, TBG3, TBG5 and TBG18.

The purpose of this document is to define globally consistent Despatch and Receive process for worldwide supply chains, using the UN/CEFACT Modelling Methodology (UMM) approach and Unified Modelling Language to describe and detail the business processes and transactions involved.

The structure of this document is based on the structure of the UN/CEFACT Business Requirements Specification (BRS) document reference CEFACT/ICG/005.

2. References

- UN/CEFACT TBG1 Common Supply Chain BRS, Release 1
- UN/CEFACT TBG2 Buy-Ship-Pay (Including UNeDocs) BRS, version 1.0
- UN/CEFACT Modeling Methodology (CEFACT/TMG/N090R10, November 2001)
- OASIS Universal Business Language (UBL), Version 2.0
- UN/EDIFACT – Despatch advice message, Receiving advice message

3. Objective

The objective of this document is to standardize the Business processes, the Business transactions and the Information entities of the despatch and receive process used by the industries in the supply chain.

The business process is the detailed description of the way trading partners intend to play their respective roles, establish business relations and share responsibilities to interact efficiently with the support of their respective information systems.

Each Business transaction is realized by an exchange of Business documents (also called messages). The sequences in which these documents are used, composes a particular instance of a scenario and are presented as activity diagrams in the document.

The business documents are composed of Business Information Entities (BIE), which are preferably taken from libraries of reusable business information entities. The contents of the business documents and the Business Information Entities are presented using class diagrams and/or requirement lists.

4. Definition of terms

| Term | Definition |
|-------------------------|--|
| Acceptance Of Goods | 1. Date on which the goods are taken over by the carrier at the place of acceptance (CMR 4). 2. The process of receiving a consignment usually against the issue of a receipt. As and from this moment the party accepting the consignment becomes responsible for the consignment. |
| Accepted | To take on a responsibility or liability for something. |
| Account | A formal contractual relationship established to provide for regular banking, brokerage or business services. |
| Accounting | Record or statement of financial transactions. |
| Agent | A person or company that provides a particular service, typically one organizing transactions between two other parties. |
| Allowance | The amount of something allowed. |
| Allowance Charge | Details about a component of pricing, such as a service, promotion, allowance or charge. |
| Amount | A number of monetary units specified in a currency where the unit of currency is explicit or implied. |
| Available | 1. Able to be used or obtained. 2. Goods positioning date/time, expected – Date/time on which goods are expected to be positioned. |
| Batch | n. A quantity or consignment of goods produced at one time. v. Arrange (things) in sets or groups. |
| Batch (No.) | (Identification of) a quantity or consignment of goods produced at one time. |
| Buyer | The party to which goods or services are sold. |
| Carrier | The party undertaking the transportation of goods from one point to another. |
| Cash | Money in the form of bills and coins. |
| Catalogue | A list of items arranged in a systematic order. |
| Category | A class or division of people or things having particular shared characteristics. |
| Characteristic | A feature or quality typical of a person, place, or thing. |
| Charge | An amount asked as a price for a service rendered or goods supplied (OED derived). |
| Classification | Arrangement (of a group) in classes or categories according to shared qualities or characteristics. |
| Commission | A sum paid to an agent in a commercial transaction. |
| Communication | The means of sending or receiving information, such as telephone lines or computers. |
| Communication (Address) | The unique identification of location, person or company within a specific means of sending or receiving information, such as telephone lines or computers. |
| Condition | The state of something or someone, with regard to appearance, fitness, or working order. |

| Term | Definition |
|------------------------|---|
| Conditions | 1 Circumstances affecting the functioning or existence of something. 2 A state of affairs that must exist before something else is possible. |
| Consignee | The party by whom the goods, cargo or containers are meant to be received. The actual physical receipt can take place by another party. |
| Consignment | A separately identifiable collection of goods items (available to be) transported from one consignor to one consignee via one or more modes of transport as specified in one single transport document. |
| Consignor | The party by whom goods, cargo and containers are sent. The physical dispatch can be done by another party. |
| Context | The circumstances that form the setting for an event, statement, or idea, and in terms of which it can be fully understood. |
| Contract | A legally binding agreement between two parties in which the specific titles, rights, commitments and obligations of both parties are defined. |
| Count | The total determined by counting. |
| Country Of Arrival | The country to which a means of transport is scheduled to arrive or has arrived. |
| Country Of Departure | The country from which a means of transport is scheduled to depart or has departed. |
| Country Of Destination | The country to which goods are (to be) transported. |
| Country Of Origin | The country in which the goods have been produced or manufactured, according to criteria laid down for the purposes of application of the Customs tariff, of quantities restrictions, or of any other measure related to trade. |
| Country Sub-division | A formally recognized subdivision of a country. |
| Creditor | One who gives credit for money or goods; one to whom a debt is owing; correlative to debtor. |
| Currency | That which is current as a medium of exchange; the circulating medium (whether coins or notes); the money of a country in actual use. |
| Currency Exchange | The conversion of financial amounts in one currency to another. |
| Customer | The party to which or to whom goods and/or services are supplied. |
| Customs | The government organization that deals with the levying of duties and taxes on imported goods from foreign countries and the control over the export and import of goods. |
| Date | Identification of a particular calendar day, expressed by some combination of the data elements calendar year, calendar month, calendar week, calendar day, of day of the year. |
| Deductible | An amount or percentage that can be taken away from or applied to another amount for purpose of reduction. |
| Deduction | An amount that is or may be deducted. |
| Deliver | Bring and handover (a letter, goods or service) to the appropriate recipient. |
| Delivered | The quantity provided (of something promised or expected). |
| Delivery | 1. The action of delivering something, especially letters, goods or services. |

| Term | Definition |
|--------------------------|--|
| | 2. The physical process of handing over goods to the consignee or to the party acting on his behalf. |
| Delivery Date | The date on which the delivery of goods to takes place, is scheduled to take place, or must be received. |
| Delivery Terms | Conditions in a sales or transportation contract that specify the carrier, routing, freight charges, place of delivery, time of delivery, etc. |
| Dimension | A measurable extent, such as length, breadth or height. |
| Disbursement | The action of dispersing money that is paid out. |
| Discharge | The process of unloading the goods from a means of transport. |
| Discount | 1. A deduction from the usual cost of something. 2. (Finance) a percentage deducted from the face value of a bill of exchange or promissory note when it changes hands before the due date. |
| Due | Required as a legal or moral obligation. |
| | Expected at, planned for, or required by a certain time. |
| Duration | The time during which something continues. |
| Duty | A payment levied on the import, export, manufacture, or sale of goods or services. |
| Earliest | Not before the time or date specified. |
| Effective Period | The time during which something runs its course, duration; allotted time; natural lifespan. |
| Electronic Communication | Communications in the general sense of any communication that involves having components such as microchips and transistors that control and direct electric currents. Used to encompass, fax, telephone, e-mail, EDI, etc. |
| End | To come or bring to an end; finish.. |
| Event | A significant occurrence or happening related to an object process, or person. |
| Exclusive | Not divided or shared with others. |
| Expected | Regarded as likely to happen.. |
| Expiry | The end or term of a period of time. |
| Family Name | A surname, the hereditary name common to all members of a family, as distinct from a forename. |
| Fee | A payment made to a professional person or to a professional or public body in exchange for advice or services. |
| Fiscal | Of or relating to government revenue, especially taxes. |
| Freight | Goods in transport from one location to another. |
| Freight Costs | Costs incurred when moving goods, by whatever means, from one place to another under the terms of a contract of carriage. In addition to transport costs, this may include such elements as packing, documentation, loading , unloading, and insurance (to the |
| | 2. The amount of money due for the carriage of goods and payable either in advance or upon delivery. |
| Frequency | 1) The rate at which something occurs over a period or in a given sample. 2) Occurrence many times at short intervals. |

| Term | Definition |
|------------------------------|---|
| Given Name | Another term for first name, a personal name given to someone at birth or baptism and used before (or after in some national styles) a family name. |
| Gross | Without deduction of tax or other contributions. |
| | Including contents or other variable items; overall. |
| Gross Price | Price inclusive of all discounts, rebates, etc.; sometimes called the retail price. |
| IBAN | Abbreviation of International Bank Account Number. |
| Identification | The action or process of identifying or the fact of being identified. |
| Identifier | Something which identifies. |
| Invoice | |
| Invoicee | One who receives the invoice and is expected to arrange its settlement. |
| Invoicer | One who issues the invoice. |
| Issued | 1) supplied or distributed for use. |
| | 2) formally sent out or made known. |
| Level (Packaging) | The position in a series of packaging that groups items together within a package within a package etc.. |
| Line Item | An article or unit of any kind included in an enumeration, computation, or sum total. |
| Location | A particular place or position. |
| Logistic Service Provider | Party providing logistic services such as warehousing, re-packing products, distribution and assembly. |
| Lot (No.) | (Identification of) a particular group or set of people or things. |
| Maximum | The highest value or extreme limit. |
| Means (Of Payment Guarantee) | This indicates the kind of guarantee covering the payment. |
| Means (Of Payment) | The method used for payment. |
| Means (Of Settlement) | An act that discharges obligations in respect of funds or securities transfers between two or more parties. |
| Means (Of Transport) | The particular vehicle used for the transport of goods or persons. |
| Measure | A standard unit used to express size, amount, or degree. |
| Measurement | An amount, size, or extent as established by measuring. |
| Minimum | The smallest amount or quantity that is possible, usual, attainable, allowable, etc. |
| Monetary Adjustment | See Allowance Charge |
| Net | (Of an amount, value or price) remaining after deduction of tax or other contributions. |
| Net Price | Price after all discounts, rebates, etc., have been allowed; sometimes called the wholesale price. |
| Net Volume | 1. The amount or quantity of something free from, or not subject to, any (further) deduction. |
| | 2. (Of a weight) excluding that of packaging. |
| Net Weight | Measurement of quantity by means of weighing, free from, or not subject to, any (further) deduction. |

| Term | Definition |
|------------------|---|
| Non Repudiation | Non repudiation means that the originator must digitally sign the business data and the recipient must store the business data in its original form for the mutually agreed duration. |
| Number | An arithmetic value, expressed by a word, symbol or figure, representing a particular amount. |
| Original | 1. The earliest form of something. 2. Existing from the beginning: first or earliest. |
| Package | 1. The final product of the packing operation. 2. Consisting of the packing and the contents, e.g. a box, carton, crate, barrel, pallet, etc. |
| Packaging | The action or process of making something into a package or enclosing a thing in packaging; the action of wrapping something up. |
| Payee | A person or company to whom money is being paid or is due, especially in a transaction such as the payment of a cheque or money order. |
| Payment | The action of paying or the process of being paid. |
| Payment Terms | Conditions or stipulations limiting the paying of money or its equivalent for (also of) goods, services, etc. |
| Payor | The person or company named as responsible for the payment of a cheque, money order, or other financial 'paper' when it is redeemed. |
| Percentage | 1) A rate, number, or amount in each hundred. 2) Any proportion or share in relation to a whole. |
| Period (Of Time) | A length or portion of time. A portion of time between two time points. |
| Prepaid | Paid for in advance. |
| Pre-Payment | Payment that has taken place before the delivery. |
| Previous | Existing or occurring before in time or order. |
| Price | The amount of money (or a material equivalent) expected, required, or given in payment for a commodity or service. |
| Product | Any tangible output or service produced by human or mechanical effort or by a natural process. |
| Product Instance | An instance of an individual product or batch of similar products produced by human or mechanical effort or by a natural process. |
| Quantity | A certain amount or number. |
| Rate | Numeric information that is assigned or is determined by calculation, counting, or sequencing. It does not require a unit of quantity or unit of measure. |
| Rate Basis | The basis of calculation of an amount of a charge or payment expressed as an amount per some feature. |
| Received | Taken delivery of. |
| Regime | A systematic or ordered way of doing something. |
| Regulation | A rule prescribed for the management of some matter, or for the regulating of conduct; a governing precept or direction; a standing rule. |
| Remittance | A sum of money remitted. |

| Term | Definition |
|--------------------|--|
| Seller | The party selling goods or services. |
| Sequence | The fact of following after or succeeding; the following of one thing after another in succession; an instance of this. |
| Serial Number | An identification number showing the position of a manufactured item in a series. |
| Service | Work or doing of work for another or for a community such as utilities and transport. |
| Service Charge | A charge made for banking or other services such as Freight Services. |
| Settlement | 'settle' – pay (a debt or account) |
| Status | The position of affairs at a particular time. |
| Subdivision | Subdivisions of a country such as primary subdivisions, County (UK), Departement (France), State (US) etc., secondary subdivisions such. |
| Supplier | Someone who makes (something needed) available to someone. |
| Tariff | A classified list or scale of charges made in any private or public business; as, a hotel tariff, a railroad tariff. |
| | A tax or duty to be paid on a particular class of imports or exports. |
| Tax | A levy or payment for the support of a government required of persons, groups, or businesses within the domain of that government. |
| Terms Of Delivery | All the conditions agreed upon between a seller and a buyer with regard to the delivery of goods and/or services, e.g. CIF, FOB, or EXW from the INCOTERMS Terms of Delivery. |
| Terms Of Freight | All the conditions (to be) agreed upon between a transport service provider and a transport service buyer about the type of freight and charges due to carriage and whether they are prepaid or are to be collected. |
| Terms Of Transport | All the conditions agreed upon between a transport service provider and a transport service buyer with regard to the transportation of goods, e.g. CIF, FOB, or EXW from the INCOTERMS Terms of Delivery. |
| Type | A category of people or things having common characteristics. |
| Ultimate Consignee | A final person to whom goods are consigned. |
| Value | 1. Material or monetary worth. |
| | 2. The numerical amount denoted by an algebraic term; a magnitude, quantity, or number. |

5. Target technology solutions

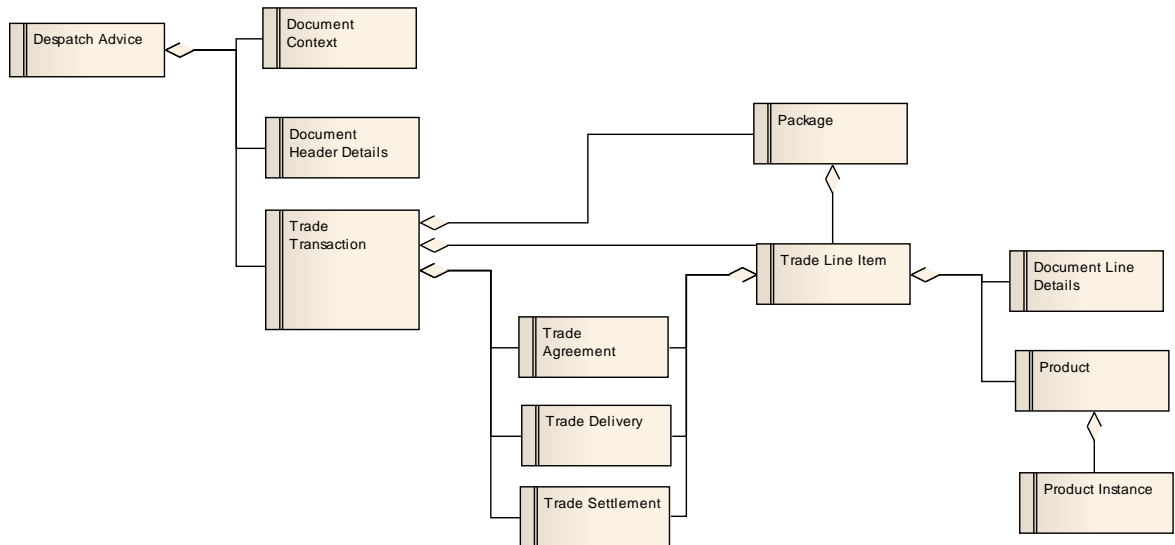
The CIDD v1 (Cross Industry Despatch Advice) solution requires a UN/CEFACT XML standard schema.

The CIDD v1 (Cross Industry Despatch Advice) solution will not be implemented as a UN/EDIFACT standard message.

6. Information payload to be implemented

6.1. Conceptual Data Model for the Cross Industry Delivery Process Despatch Advice

Figure 6-1 Business message model



Philosophy behind the conceptual design

The conceptual design is based on the assumption that information exchanged in the order-to-pay process tends to have a large degree of similarity. Therefore rather than linking the information to message specific entities three neutral entities have been defined: Trade Agreement, Trade Delivery and Trade Settlement. These entities contain the main semantic payload for all communication exchanges, on header as well as on line level.

A fourth essential entity is the Product entity. This entity holds all characteristics of the trade product that are independent of a particular trade transaction.

The Trade Transaction and Trade Line Item entities serve to structure the entities mentioned before. In the despatch advice furthermore the Package entity is available, allowing for nesting of trade line items per package.

Description of the main entities

- Document Context: Application processing information for the business document.
- Document Heading: Generic document heading information such as despatch advice number, Issue date.
- Trade Transaction: Information on the trade transaction(s) to which the dispatch advice applies.
- Trade Line Item: Information on the line items that are being shipped.
- Package: Information on the logistic units that are being shipped.

- Trade Agreement: information on the commercial agreement on which the shipped trade transaction or line is based.
- Trade Delivery: information on the fulfillment of the shipped trade transaction or line.
- Trade Settlement: information on the financial settlement of the shipped trade transaction or line.
- Product: Information on the generic item that is being shipped.
- Product Instance: Information on the individual items that are being shipped.

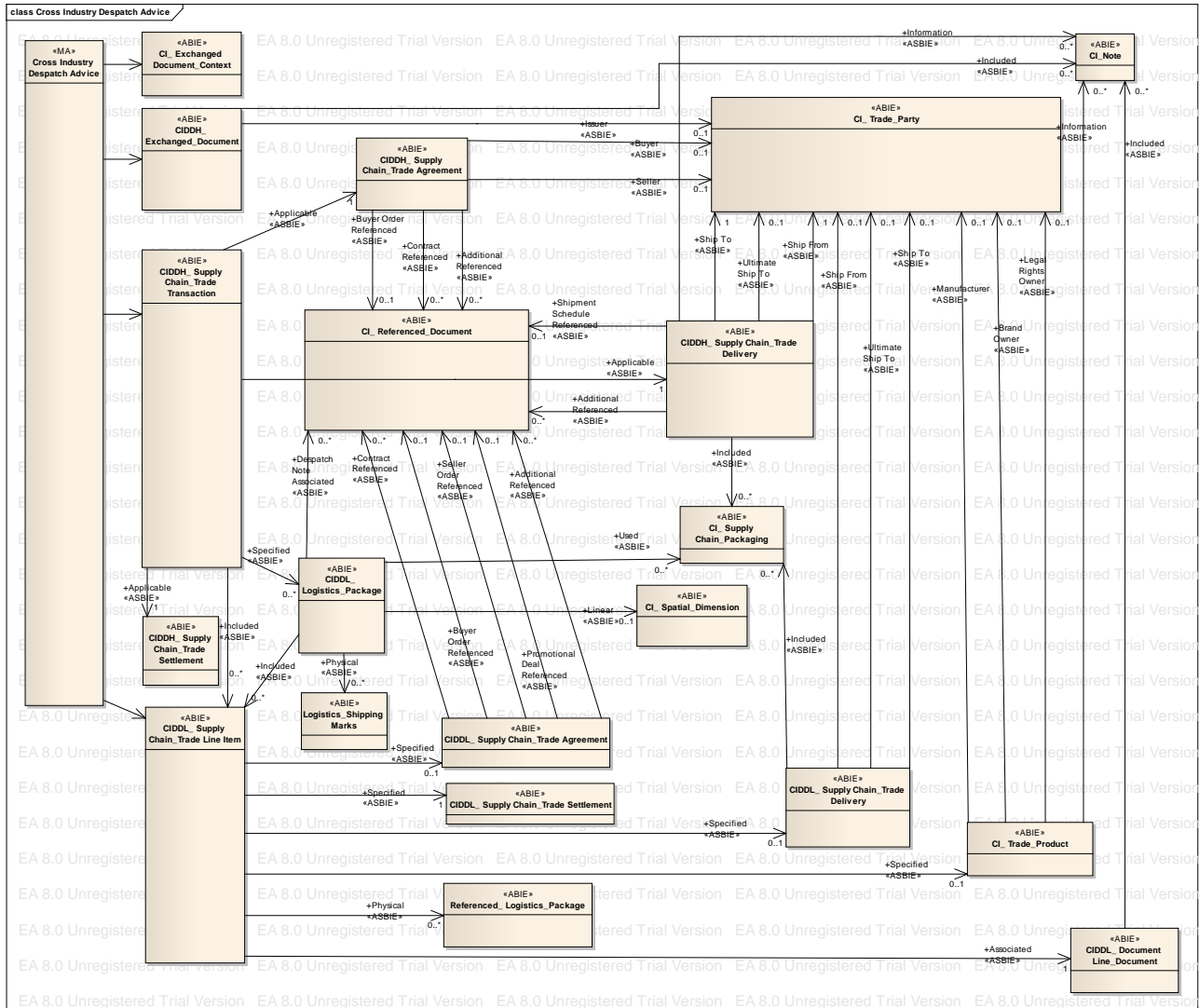
6.2. Canonical Data Model for the Delivery Process Despatch Advice

For readability reasons the canonical model is provided in multiple diagrams, each providing a full description of a segment in the Cross Industry Despatch Advice.

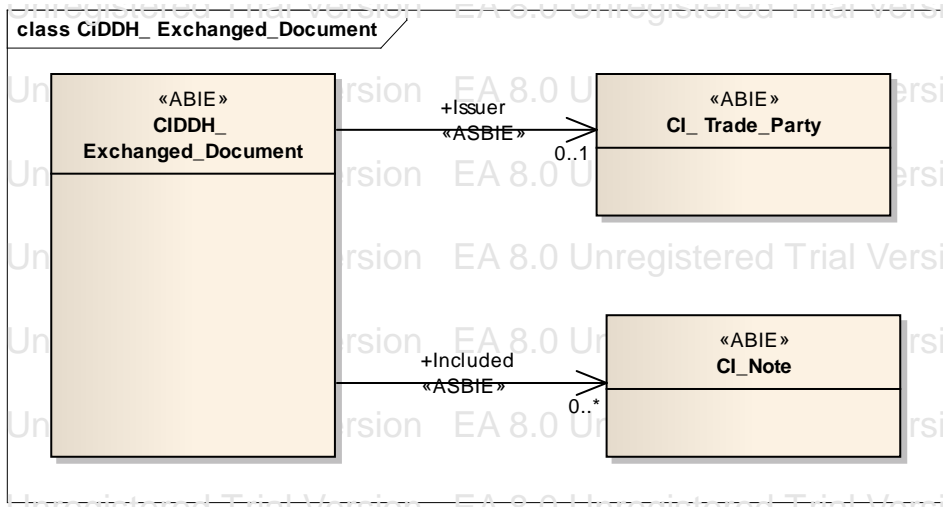
- ✔ **Note:** The three entities Trade Agreement, Trade Delivery and Trade Settlement have been depicted as identical on header and line level, since these entities are meant to support the entire Order-to-Pay process. In the individual steps of the process, such as the Delivery Advice, further refinements can be made on what is communicated on header and line level. Therefore in the canonical model for the Despatch Advice message the three conceptual entities are realized as six message specific entities, one for the header and one for the line.

6.2.1. Cross Industry Despatch Advice

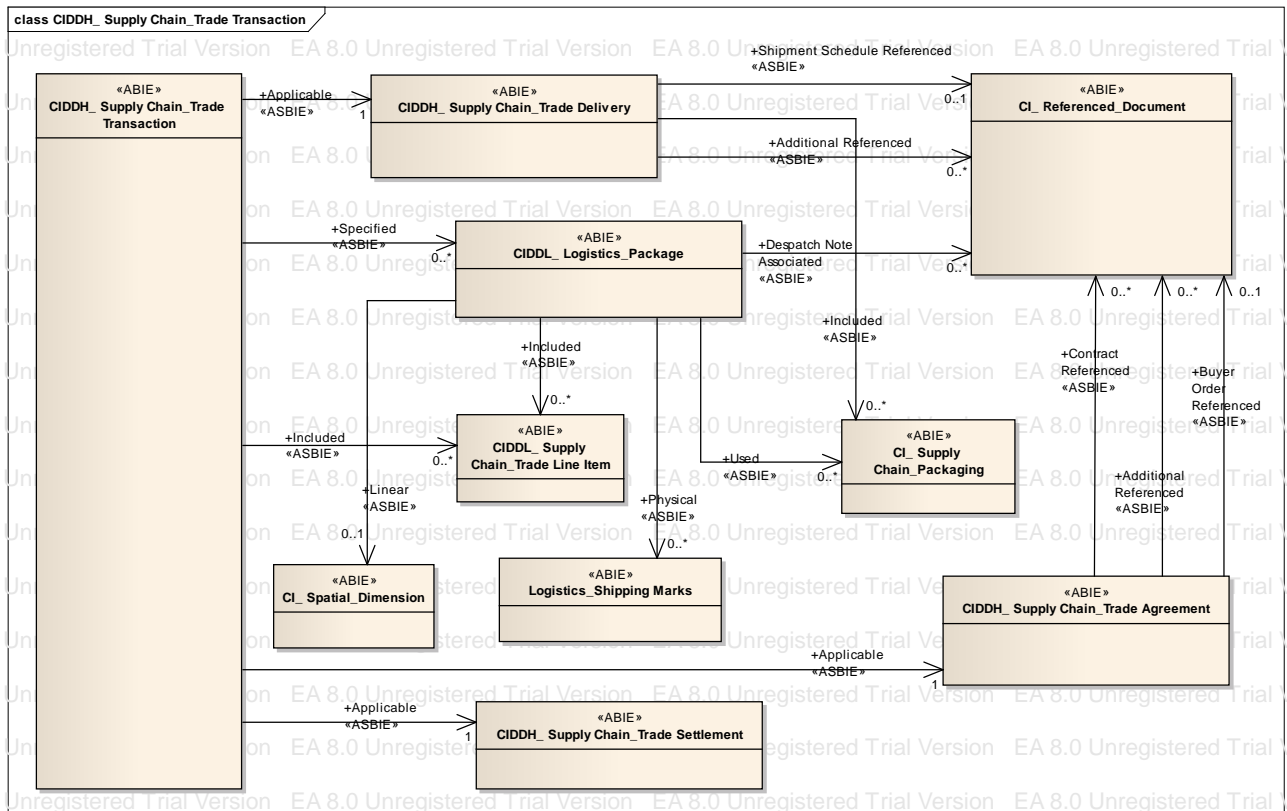
Figure 6-2 Despatch Advice



6.2.2. CIDDH Exchanged Document

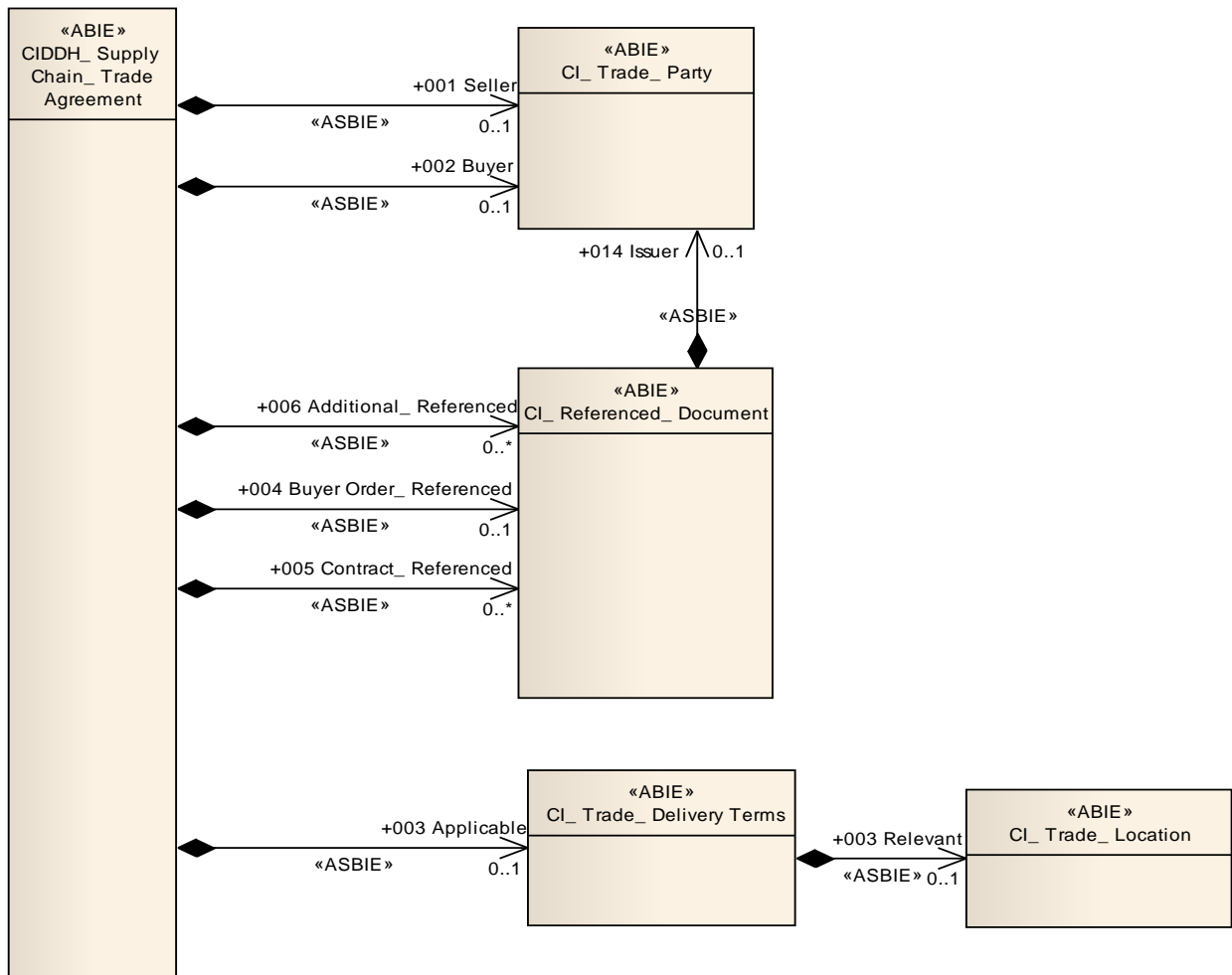


6.2.3. CIDDH Trade Transaction



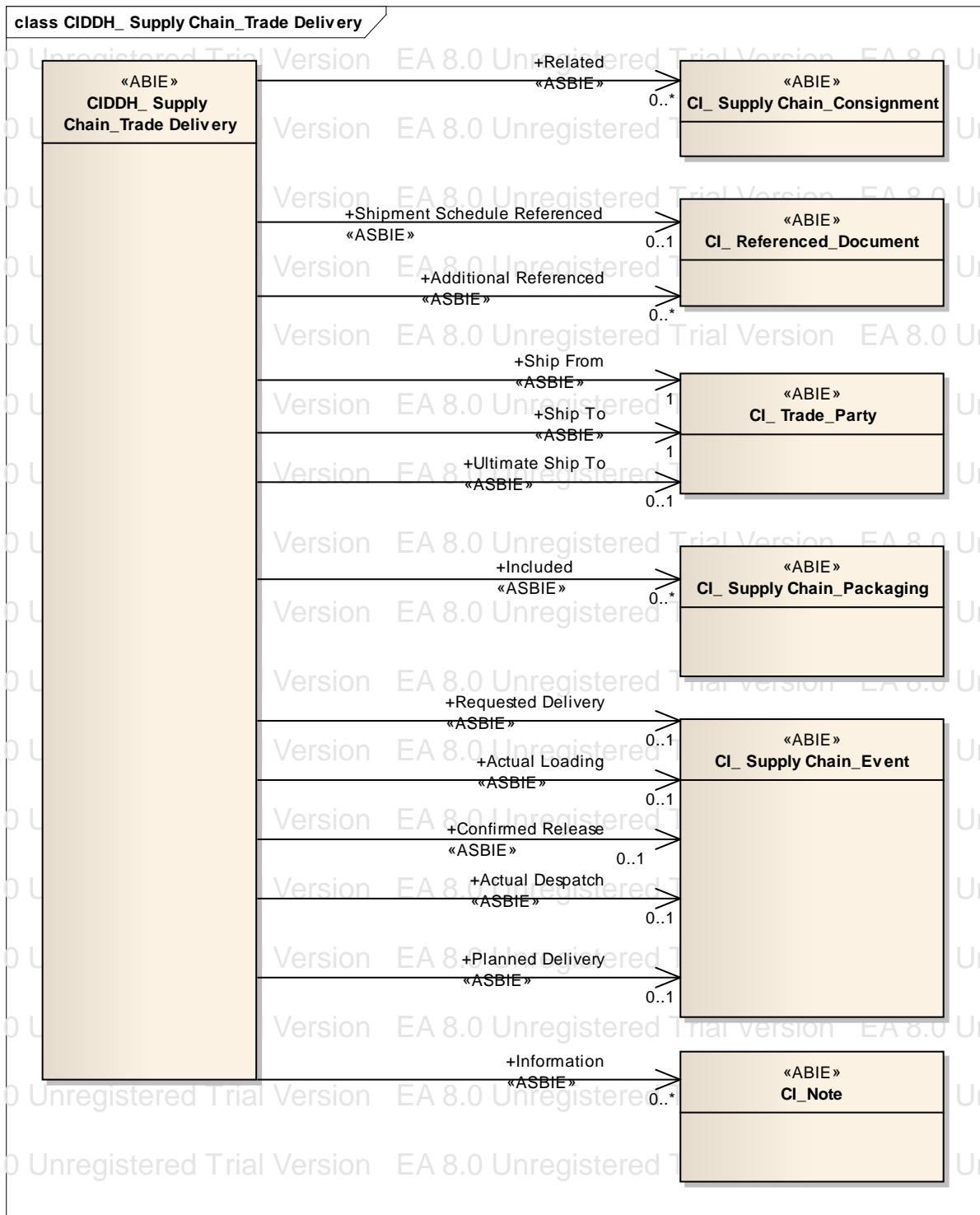
6.2.4. CIDDH Trade Agreement

Figure 6-3 CIDDH Trade Agreement



6.2.5. CIDDH Trade Delivery

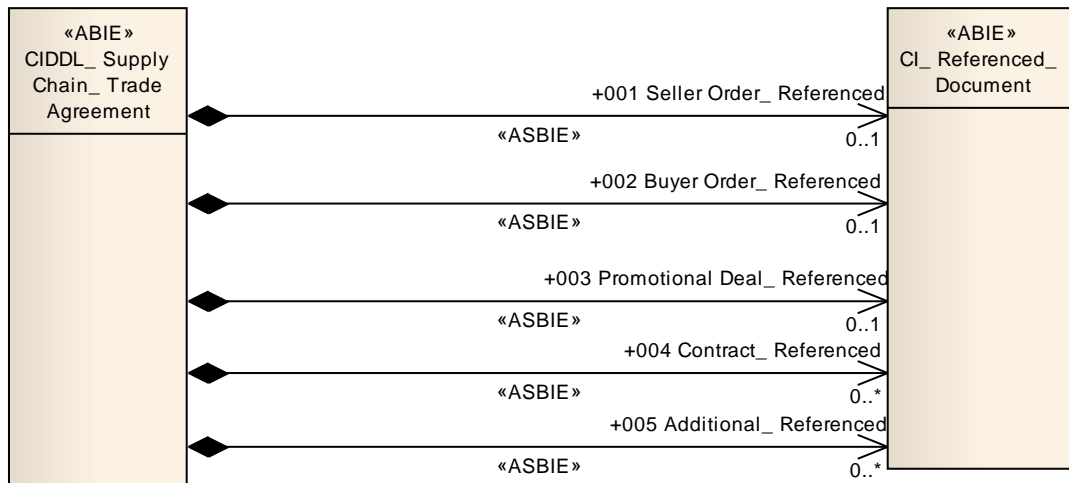
Figure 6-4 CIDDH Trade Delivery



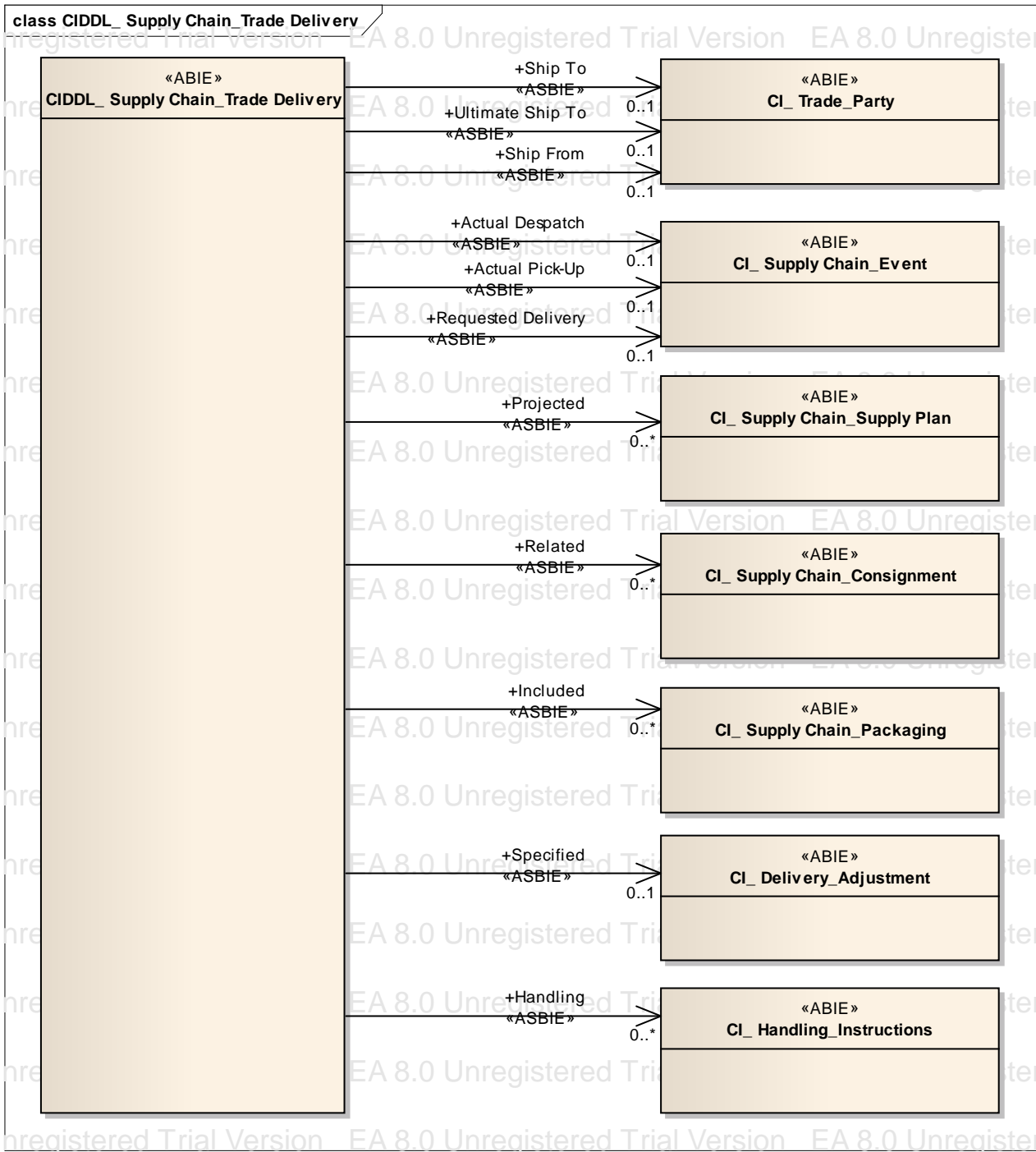
6.2.6. CIDDH Trade Settlement



6.2.7. CIDDL Trade Agreement

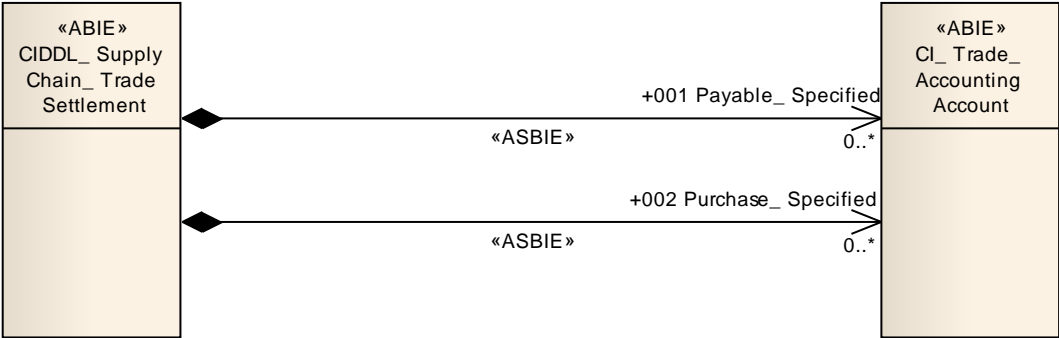


6.2.8. CIDDLE Trade Delivery



6.2.9. CIDDLE Trade Settlement

Figure 6-5 CIDDL Trade Settlement



6.2.10. CIDDL Logistics Package

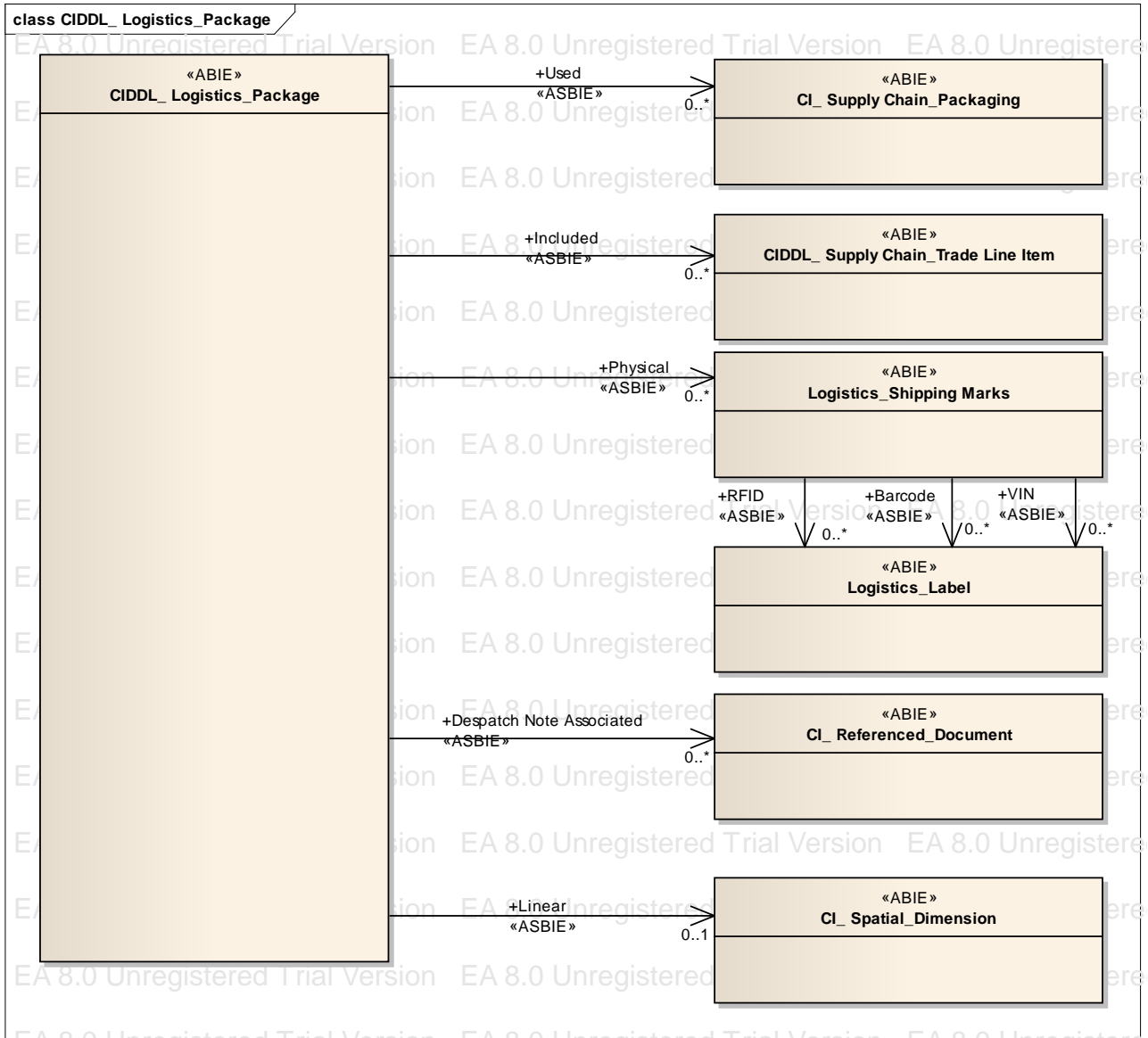
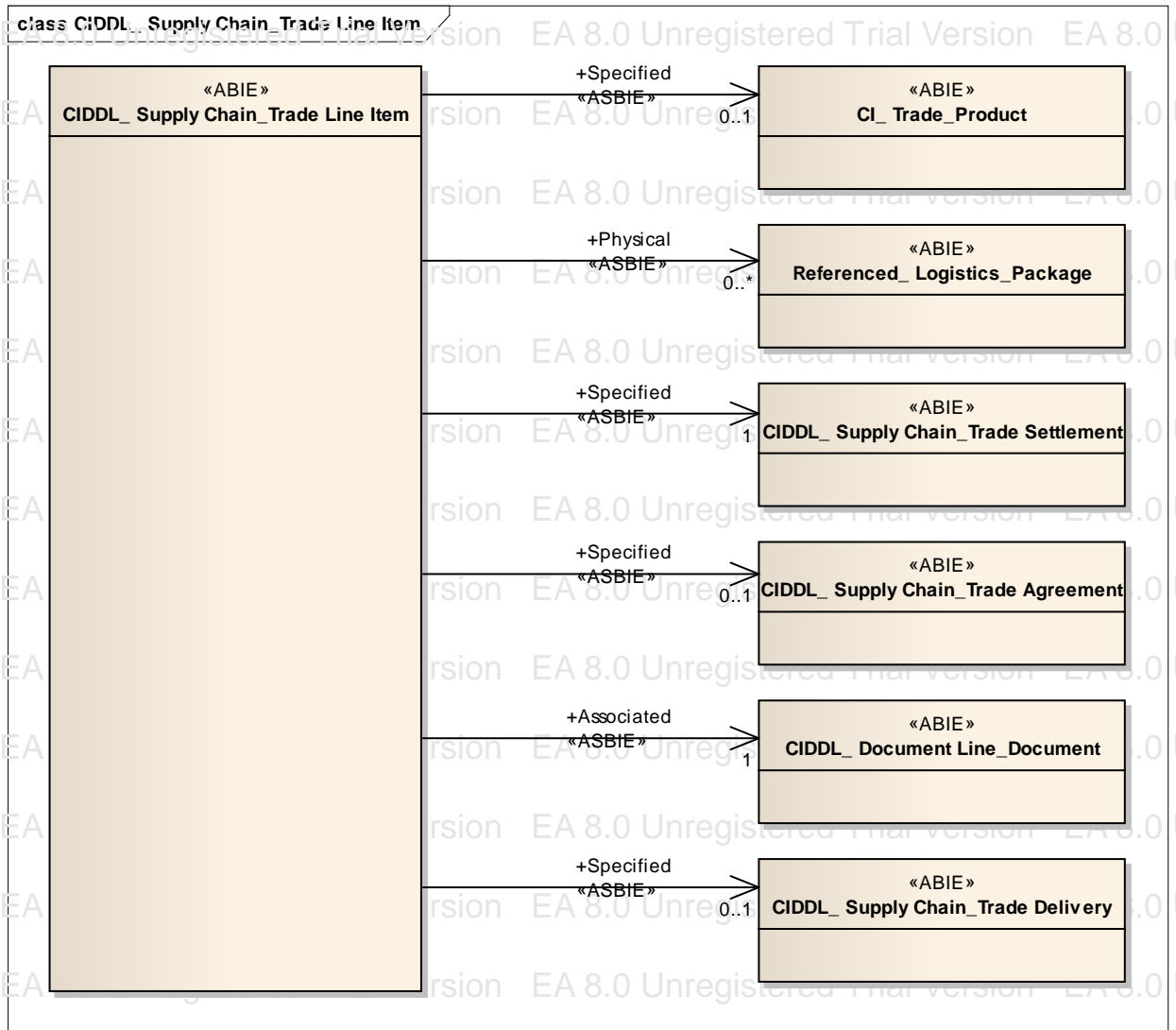


Figure 6-6 CIDDL Logistics Package

6.2.11. CIDDL Trade Line Item



7. Business information entity reference

This section contains the list of all the Business Information Entities that are both used within the canonical data model and are variations from the standard Core Components, including the UN/CEFACT Registry version that served as the reference point

7.1. Basic Business Information Entities section

This section identifies any restrictions that have to be applied to the BBIE in the context in which it is being used.

| BBIE Dictionary Entry Name | Qualified Data Type | Core Component DEN | CC Restriction Type (CII specific only) | CC Restriction (CII specific only) | SC Restriction Type (CII specific only) | SC Restrictions (CII specific only) | UNCL TDED |
|--|------------------------------------|---|---|------------------------------------|---|-------------------------------------|-----------|
| CIDDH_ Exchanged_ Document. Type. Code | Document | Document. Type. Code | Enumeration | UNCL 1001 list | None | None | 1001 |
| CIDDH_ Exchanged_ Document. Status. Code | Document | Document. Status. Code | Enumeration | UNCL 4405 list | None | None | 4405 |
| CIDDH_ Exchanged_ Document. Purpose. Code | Document. Purpose. | Document. Purpose. Code | Enumeration | UNCL 1225 list | None | | 1225 |
| CIDDH_ Exchanged_ Document. Requested_ Response Type. Code | Document. Requested_ Response Type | Document. Requested_ Response Type. Code | Enumeration | UNCL 4343 list | None | None | 4343 |
| CIDDH_ Supply Chain_ Trade Delivery. Pick-Up Availability. Date Time | Date Mandatory | Trade Delivery. Pick-Up Availability. Date Time | None | None | None | None | 2007 |
| CIDDL_ Document Line_ Document. Line Status. Code | Document. Line Status | Document. Line Status. Code | Enumeration | UNCL 1229 list | None | None | 1229 |

| BBIE Dictionary Entry Name | Qualified Data Type | Core Component DEN | CC Restriction Type (CII specific only) | CC Restriction (CII specific only) | SC Restriction Type (CII specific only) | SC Restrictions (CII specific only) | UNCL TDED |
|---|---------------------|--|---|------------------------------------|---|-------------------------------------|-----------|
| CIDDL_Supply Chain_Trade Delivery.Ultimate Ship To Delivery.Date Time | Date Mandatory | Trade Delivery.Ultimate Ship To Delivery.Date Time | None | None | None | None | 2007 |
| Referenced_Logistics_Package.Level.Code | Packaging Level | Package.Level.Code | Enumeration | UNCL 7075 list | None | None | 7075 |
| CIDDL_Logistics_Package.Type.Code | Package.Type | Package.Type.Code | Enumeration | UNCL 7065 list | None | None | 7065 |

7.2. Aggregate Business Information Entities section

7.2.1. Despatch Advice ABIEs

| | ABIE | CIDDH_ Exchanged_ Document. Details |
|-----------------------|--------------------------------------|---|
| 1 .. 1 | —BBIE Definition: | CIDDH_ Exchanged_ Document. Identification. Identifier The identifier of this CIDDH exchanged document. |
| 0 .. unbounded | —BBIE Definition: | CIDDH_ Exchanged_ Document. Name. Text A name, expressed as text, of this CIDDH exchanged document. |
| 0 .. 1 | —BBIE Definition: | CIDDH_ Exchanged_ Document. Type. Code The code specifying the type of CIDDH exchanged document. |
| 0 .. 1 | —BBIE Definition: | CIDDH_ Exchanged_ Document. Status. Code The code specifying the status of this CIDDH exchanged document. |
| 1 .. 1 | —BBIE Definition: | CIDDH_ Exchanged_ Document. Issue. Date Time The date, time, date time, or other date time value for the issuance of this CIDDH exchanged document. |
| 0 .. 1 | —BBIE Definition: | CIDDH_ Exchanged_ Document. Copy. Indicator The indication of whether or not this CIDDH exchanged document is a copy. |
| 0 .. 1 | —BBIE Definition: | CIDDH_ Exchanged_ Document. Purpose. Text The purpose, expressed as text, of this CIDDH exchanged document. |
| 0 .. 1 | —BBIE Definition: | CIDDH_ Exchanged_ Document. Control Requirement. Indicator The indication of whether or not this CIDDH exchanged document has specific control requirements. |
| 0 .. unbounded | —BBIE Definition: | CIDDH_ Exchanged_ Document. Purpose. Code A code specifying a purpose of this CIDDH exchanged document, such as request or reminder. |
| 0 .. unbounded | —BBIE Definition: | CIDDH_ Exchanged_ Document. Requested_ Response Type. Code A code specifying a type of response requested for this CIDDH exchanged document. |
| 0 .. unbounded | — ASBIE Definition: | CIDDH_ Exchanged_ Document. Included. CI_ Note A Cross Industry (CI) note included in this CIDDH exchanged document. |
| 0 .. 1 | — ASBIE Definition: | CIDDH_ Exchanged_ Document. Issuer. CI_ Trade_ Party The trade party that issues this CIDDH exchanged document. |

| Occurrence | Element/Attribute |
|----------------|---|
| | ABIE CIDDH_Supply Chain_Trade Agreement. Details |
| 0 .. 1 | ASBIE CIDDH_Supply Chain_Trade Agreement. Seller. CI_Trade_Party Definition: The party that is the seller for this CIDDH supply chain trade agreement. |
| 0 .. 1 | ASBIE CIDDH_Supply Chain_Trade Agreement. Buyer. CI_Trade_Party Definition: The party that is the buyer for this CIDDH supply chain trade agreement. |
| 0 .. 1 | ASBIE CIDDH_Supply Chain_Trade Agreement. Applicable. CI_Trade_Delivery Terms Definition: The terms of delivery applicable to this CIDDH supply chain trade agreement. |
| 0 .. 1 | ASBIE CIDDH_Supply Chain_Trade Agreement. Buyer Order_Referenced. CI_Referenced_Document Definition: The buyer order document referenced from this CIDDH supply chain trade agreement. |
| 0 .. unbounded | ASBIE CIDDH_Supply Chain_Trade Agreement. Contract_Referenced. CI_Referenced_Document Definition: A contract document referenced from this CIDDH supply chain trade agreement. |
| 0 .. unbounded | ASBIE CIDDH_Supply Chain_Trade Agreement. Additional_Referenced. CI_Referenced_Document Definition: An additional document referenced from this CIDDH supply chain trade agreement. |

| Occurrence | Element/Attribute |
|----------------|--|
| | ABIE CIDDH_Supply Chain_Trade Delivery_Details |
| 0 .. 1 | BBIE Definition: CIDDH_Supply Chain_Trade Delivery. Final Delivery. Indicator The indication of whether or not this CIDDH supply chain trade delivery is the final delivery. |
| 0 .. 1 | BBIE Definition: CIDDH_Supply Chain_Trade Delivery. Pick-Up Availability. Date Time The date, time, date time, or other date time value when this CI supply chain trade delivery is available for pick-up. |
| 1 .. 1 | ASBIE Definition: CIDDH_Supply Chain_Trade Delivery. Ship To. CI_Trade_Party The ship to party for this CIDDH supply chain trade delivery. |
| 0 .. 1 | ASBIE Definition: CIDDH_Supply Chain_Trade Delivery. Ultimate_Ship To. CI_Trade_Party The ultimate ship to party for this CIDDH supply chain trade delivery. |
| 1 .. 1 | ASBIE Definition: CIDDH_Supply Chain_Trade Delivery. Ship From. CI_Trade_Party The ship from party for this CIDDH supply chain trade delivery. |
| 0 .. 1 | ASBIE Definition: CIDDH_Supply Chain_Trade Delivery. Shipment Schedule_Referenced. CI_Referenced_Document The shipment schedule document referenced for this CIDDH supply chain trade delivery. |
| 0 .. unbounded | ASBIE Definition: CIDDH_Supply Chain_Trade Delivery. Related. CI_Supply Chain_Consignment A consignment related to this CIDDH supply chain trade delivery. |
| 0 .. unbounded | ASBIE Definition: CIDDH_Supply Chain_Trade Delivery. Included. CI_Supply Chain_Packaging Cross Industry (CI) packaging included in this CIDDH supply chain trade delivery. |
| 0 .. 1 | ASBIE Definition: CIDDH_Supply Chain_Trade Delivery. Actual_Despatch. CI_Supply Chain_Event The actual despatch event for this CIDDH supply chain trade delivery. |
| 0 .. 1 | ASBIE Definition: CIDDH_Supply Chain_Trade Delivery. Confirmed_Release. CI_Supply Chain_Event The confirmed release event for this CIDDH supply chain trade delivery. |
| 0 .. 1 | ASBIE Definition: CIDDH_Supply Chain_Trade Delivery. Requested_Delivery. CI_Supply Chain_Event The requested delivery event for this CIDDH supply chain trade delivery. |
| 0 .. 1 | ASBIE Definition: CIDDH_Supply Chain_Trade Delivery. Planned_Delivery. CI_Supply Chain_Event The planned delivery event for this CIDDH supply chain trade delivery. |
| 0 .. 1 | ASBIE Definition: CIDDH_Supply Chain_Trade Delivery. Actual_Loading. CI_Supply Chain_Event The actual loading event for this CIDDH supply chain trade delivery. |
| 0 .. unbounded | ASBIE Definition: CIDDH_Supply Chain_Trade Delivery. Additional_Referenced. CI_Referenced_Document An additional document referenced from this CIDDH supply chain trade delivery. |
| 0 .. unbounded | ASBIE Definition: CIDDH_Supply Chain_Trade Delivery. Information. CI_Note A note with information on this CIDDH supply chain trade delivery. |

| Occurrence | Element/Attribute |
|----------------|---|
| | ABIE CIDDH_Supply Chain_Trade Settlement. Details |
| 0 .. unbounded | ASBIE CIDDH_Supply Chain_Trade Settlement. Purchase_Specified. CI_Trade_Accounting Account Definition: A purchase accounting account specified for this CIDDH supply chain trade settlement. |
| 0 .. unbounded | ASBIE CIDDH_Supply Chain_Trade Settlement. Sales_Specified. CI_Trade_Accounting Account Definition: A sales accounting account specified for this CIDDH supply chain trade settlement. |

| Occurrence | Element/Attribute |
|----------------|--|
| | ABIE CIDDH_Supply Chain_Trade Transaction. Details |
| 0 .. unbounded | BBIE Definition: CIDDH_Supply Chain_Trade Transaction. Shipment_ Identification. Identifier An identifier, such as the Unique Consignment Reference (UCR), for the shipment which is the subject of this CIDDH supply chain trade transaction. |
| 1 .. 1 | ASBIE CIDDH_Supply Chain_Trade Transaction. Applicable. CIDDH_Supply Chain_Trade Agreement Definition: The supply chain trade agreement applicable to this CIDDH supply chain trade transaction. |
| 1 .. 1 | ASBIE CIDDH_Supply Chain_Trade Transaction. Applicable. CIDDH_Supply Chain_Trade Delivery Definition: The supply chain trade delivery applicable to this CIDDH supply chain trade transaction. |
| 1 .. 1 | ASBIE CIDDH_Supply Chain_Trade Transaction. Applicable. CIDDH_Supply Chain_Trade Settlement Definition: The supply chain trade settlement applicable to this CIDDH supply chain trade transaction. |
| 0 .. unbounded | ASBIE CIDDH_Supply Chain_Trade Transaction. Included. CIDDL_Supply Chain_Trade Line Item Definition: A Cross Industry Delivery Despatch Advice Line (CIDDL) supply chain trade line item included in this CIDDH supply chain trade transaction. |
| 0 .. unbounded | ASBIE CIDDH_Supply Chain_Trade Transaction. Specified. CIDDL_Logistics_Package Definition: A Cross Industry Delivery Despatch Advice Line (CIDDL) logistics package specified for this CIDDH supply chain trade transaction. |

| Occurrence | Element/Attribute |
|----------------|--|
| | ABIE CIDDL_ Document Line_ Document. Details |
| 1 .. 1 | <ul style="list-style-type: none"> —BBIE CIDDL_ Document Line_ Document. Line. Identifier Definition: The identifier of this CIDDL document line. |
| 0 .. 1 | <ul style="list-style-type: none"> —BBIE CIDDL_ Document Line_ Document. Line Status. Code Definition: The code specifying the status of this CIDDL document line. |
| 0 .. 1 | <ul style="list-style-type: none"> —BBIE CIDDL_ Document Line_ Document. Line Status Reason. Code Definition: The code specifying the line status reason for this CIDDL document line. |
| 0 .. unbounded | <ul style="list-style-type: none"> —ASBIE CIDDL_ Document Line_ Document. Included. CI_ Note Definition: A note included in this CIDDL document line. |

| Occurrence | Element/Attribute |
|------------|-------------------|
|------------|-------------------|

ABIE

CIDDL_ Logistics_ Package. Details

| | | |
|----------------|-----------------------|---|
| 0 .. 1 | —BBIE Definition: | CIDDL_ Logistics_ Package. Identification. Identifier The identifier for this CIDDL logistics package. |
| 0 .. 1 | —BBIE Definition: | CIDDL_ Logistics_ Package. Global_ Identification. Identifier The global identifier for this CIDDL logistics package. |
| 0 .. 1 | —BBIE Definition: | CIDDL_ Logistics_ Package. Parent_ Identification. Identifier The parent identifier for this CIDDL logistics package. |
| 0 .. 1 | —BBIE Definition: | CIDDL_ Logistics_ Package. Series Start_ Identification. Identifier The identifier of the start of a series of packages within this CIDDL logistics package. |
| 0 .. 1 | —BBIE Definition: | CIDDL_ Logistics_ Package. Series End_ Identification. Identifier The identifier of the end of a series of packages within this CIDDL logistics package. |
| 0 .. 1 | —BBIE Definition: | CIDDL_ Logistics_ Package. Level. Code The code specifying the level of this CIDDL logistics package. |
| 0 .. 1 | —BBIE Definition: | CIDDL_ Logistics_ Package. Type. Code The code specifying the type of CIDDL logistics package. |
| 0 .. 1 | —BBIE Definition: | CIDDL_ Logistics_ Package. Type. Text The type, expressed as text, of this CIDDL logistics package. |
| 0 .. 1 | —BBIE Definition: | CIDDL_ Logistics_ Package. Item. Quantity The number of CIDDL logistics packages. |
| 0 .. 1 | —BBIE Definition: | CIDDL_ Logistics_ Package. Gross Weight. Measure The measure of the gross weight (mass) of this CIDDL logistics package. |
| 0 .. 1 | —BBIE Definition: | CIDDL_ Logistics_ Package. Nominal_ Gross Weight. Measure The measure of the nominal gross weight (mass) of this CIDDL logistics package. |
| 0 .. 1 | —BBIE Definition: | CIDDL_ Logistics_ Package. Net Weight. Measure The measure of the net weight (mass) of this CIDDL logistics package. |
| 0 .. 1 | —BBIE Definition: | CIDDL_ Logistics_ Package. Gross Volume. Measure The measure of the gross volume of this CIDDL logistics package. |
| 0 .. 1 | —BBIE Definition: | CIDDL_ Logistics_ Package. Nominal_ Gross Volume. Measure The measure of the nominal gross volume of this CIDDL logistics package. |
| 0 .. 1 | —BBIE Definition: | CIDDL_ Logistics_ Package. Sequence. Numeric The sequence number of this CIDDL logistics package. |
| 0 .. 1 | —BBIE Definition: | CIDDL_ Logistics_ Package. Description. Text The textual description of this CIDDL logistics package. |
| 0 .. unbounded | —BBIE Definition: | CIDDL_ Logistics_ Package. Information. Text Information, expressed as text, for this CIDDL logistics package. |
| 0 .. unbounded | —ASBIE Definition: | CIDDL_ Logistics_ Package. Included. CIDDL_ Supply Chain_ Trade Line Item A supply chain trade line item included in this CIDDL logistics package. |
| 0 .. unbounded | —ASBIE Definition: | CIDDL_ Logistics_ Package. Used. CI_ Supply Chain_ Packaging Cross Industry (CI) supply chain packaging used for this CIDDL logistics package. |
| 0 .. unbounded | —ASBIE Definition: | CIDDL_ Logistics_ Package. Physical. Logistics_ Shipping Marks Physical shipping marks and barcode information for this CIDDL logistics package. |
| 0 .. 1 | —ASBIE Definition: | CIDDL_ Logistics_ Package. Linear. CI_ Spatial_ Dimension The Cross Industry (CI) linear spatial dimensions of this CIDDL logistics package. |
| 0 .. unbounded | —ASBIE Definition: | CIDDL_ Logistics_ Package. Despatch Note_ Associated. CI_ Referenced_ Document A despatch note document associated with this CIDDL logistics package. |

| Occurrence | Element/Attribute |
|----------------|---|
| | ABIE CIDDL_Supply Chain_Trade Agreement. Details |
| 0 .. 1 | ASBIE CIDDL_Supply Chain_Trade Agreement. Seller Order_ Referenced. CI_Referenced_ Document Definition: The seller order document referenced in this CIDDL supply chain trade agreement. |
| 0 .. 1 | ASBIE CIDDL_Supply Chain_Trade Agreement. Buyer Order_ Referenced. CI_Referenced_ Document Definition: The buyer order document referenced in this CIDDL supply chain trade agreement. |
| 0 .. 1 | ASBIE CIDDL_Supply Chain_Trade Agreement. Promotional Deal_ Referenced. CI_Referenced_ Document Definition: The promotional deal document referenced in this CIDDL supply chain trade agreement. |
| 0 .. unbounded | ASBIE CIDDL_Supply Chain_Trade Agreement. Contract_ Referenced. CI_Referenced_ Document Definition: A contract document referenced in this CIDDL supply chain trade agreement. |
| 0 .. unbounded | ASBIE CIDDL_Supply Chain_Trade Agreement. Additional_ Referenced. CI_Referenced_ Document Definition: An additional document referenced in this CIDDL supply chain trade agreement. |

| Occurrence | Element/Attribute |
|------------|-------------------|
|------------|-------------------|

ABIE CIDDL_Supply Chain_Trade Delivery. Details

| | | |
|----------------|-----------------------|--|
| 0 .. 1 | —BBIE Definition: | CIDDL_Supply Chain_Trade Delivery. Billed. Quantity The quantity billed for in this CIDDL supply chain trade delivery. |
| 0 .. 1 | —BBIE Definition: | CIDDL_Supply Chain_Trade Delivery. Charge Free. Quantity The quantity free of charge in this CIDDL supply chain trade delivery. |
| 0 .. 1 | —BBIE Definition: | CIDDL_Supply Chain_Trade Delivery. Package. Quantity The number of packages in this CIDDL supply chain trade delivery. |
| 0 .. 1 | —BBIE Definition: | CIDDL_Supply Chain_Trade Delivery. Product_Unit. Quantity The number of product units in this CIDDL supply chain trade delivery. |
| 0 .. 1 | —BBIE Definition: | CIDDL_Supply Chain_Trade Delivery. Per Package_Unit. Quantity The number of units per package in this CIDDL supply chain trade delivery. |
| 0 .. 1 | —BBIE Definition: | CIDDL_Supply Chain_Trade Delivery. Net Weight. Measure The measure of the net weight (mass) of this CIDDL supply chain trade delivery. |
| 0 .. 1 | —BBIE Definition: | CIDDL_Supply Chain_Trade Delivery. Gross Weight. Measure The measure of the gross weight (mass) of this CIDDL supply chain trade delivery. |
| 0 .. 1 | —BBIE Definition: | CIDDL_Supply Chain_Trade Delivery. Theoretical Weight. Measure The measure of the theoretical weight of this CIDDL supply chain trade delivery. |
| 0 .. 1 | —BBIE Definition: | CIDDL_Supply Chain_Trade Delivery. Ultimate Ship To Delivery. Date Time The date, time, date time, or other date time value for this CIDDL supply chain trade delivery to the ultimate ship to party. |
| 0 .. 1 | —ASBIE Definition: | CIDDL_Supply Chain_Trade Delivery. Ship From. CI_Trade_Party The ship from party for this CIDDL supply chain trade delivery. |
| 0 .. 1 | —ASBIE Definition: | CIDDL_Supply Chain_Trade Delivery. Ship To. CI_Trade_Party The ship to party for this CIDDL supply chain trade delivery. |
| 0 .. 1 | —ASBIE Definition: | CIDDL_Supply Chain_Trade Delivery. Ultimate_Ship To. CI_Trade_Party The ultimate ship to party for this CIDDL supply chain trade delivery. |
| 0 .. unbounded | —ASBIE Definition: | CIDDL_Supply Chain_Trade Delivery. Related. CI_Supply Chain_Consignment A consignment related to this CIDDL supply chain trade delivery. |
| 0 .. unbounded | —ASBIE Definition: | CIDDL_Supply Chain_Trade Delivery. Handling. CI_Handling_Instructions Handling instructions for this CIDDL supply chain trade delivery. |
| 0 .. 1 | —ASBIE Definition: | CIDDL_Supply Chain_Trade Delivery. Actual_Despatch. CI_Supply Chain_Event The actual supply chain despatch event for this CIDDL supply chain trade delivery. |
| 0 .. 1 | —ASBIE Definition: | CIDDL_Supply Chain_Trade Delivery. Actual_Pick-Up. CI_Supply Chain_Event The actual supply chain pick-up event for this CIDDL supply chain trade delivery. |
| 0 .. 1 | —ASBIE Definition: | CIDDL_Supply Chain_Trade Delivery. Requested_Delivery. CI_Supply Chain_Event The requested supply chain delivery event for this CIDDL supply chain trade delivery. |
| 0 .. 1 | —ASBIE Definition: | CIDDL_Supply Chain_Trade Delivery. Specified. CI_Delivery_Adjustment The delivery adjustment specified for this CIDDL supply chain trade delivery. |
| 0 .. unbounded | —ASBIE Definition: | CIDDL_Supply Chain_Trade Delivery. Included. CI_Supply Chain_Packaging Packaging included in this CIDDL supply chain trade delivery. |
| 0 .. unbounded | —ASBIE Definition: | CIDDL_Supply Chain_Trade Delivery. Projected. CI_Supply Chain_Supply Plan A supply plan projected for this CIDDL supply chain trade delivery. |

| Occurrence | Element/Attribute |
|----------------|---|
| | ABIE CIDDL_ Supply Chain_ Trade Line Item. Details |
| 1 .. 1 | ASBIE CIDDL_ Supply Chain_ Trade Line Item. Associated. CIDDL_ Document Line_ Document Definition: The document line associated with this CIDDL supply chain trade line item. |
| 0 .. 1 | ASBIE CIDDL_ Supply Chain_ Trade Line Item. Specified. CIDDL_ Supply Chain_ Trade Agreement Definition: The trade agreement specified for this CIDDL supply chain trade line item. |
| 0 .. 1 | ASBIE CIDDL_ Supply Chain_ Trade Line Item. Specified. CIDDL_ Supply Chain_ Trade Delivery Definition: The trade delivery specified for this CIDDL supply chain trade line item. |
| 1 .. 1 | ASBIE CIDDL_ Supply Chain_ Trade Line Item. Specified. CIDDL_ Supply Chain_ Trade Settlement Definition: The trade settlement specified for this CIDDL supply chain trade line item. |
| 0 .. 1 | ASBIE CIDDL_ Supply Chain_ Trade Line Item. Specified. CI_ Trade_ Product Definition: The trade product specified for this CIDDL supply chain trade line item. |
| 0 .. unbounded | ASBIE CIDDL_ Supply Chain_ Trade Line Item. Physical. Referenced_ Logistics_ Package Definition: A referenced logistics package for this CIDDL supply chain trade line item. |

| Occurrence | Element/Attribute |
|----------------|---|
| | ABIE CIDDL_ Supply Chain_ Trade Settlement. Details |
| 0 .. unbounded | ASBIE CIDDL_ Supply Chain_ Trade Settlement. Payable_ Specified. CI_ Trade_ Accounting Account Definition: A payable accounting account specified for this CIDDL supply chain trade settlement. |
| 0 .. unbounded | ASBIE CIDDL_ Supply Chain_ Trade Settlement. Purchase_ Specified. CI_ Trade_ Accounting Account Definition: A purchase accounting account specified for this CIDDL supply chain trade settlement. |

| Occurrence | Element/Attribute |
|------------|-------------------|
|------------|-------------------|

8. Core components UN/CEFACT Registry version used

The CIDD v2 model described in this document and submitted by the Trade and Business Process Group for Supply Chain, TBG1, has been harmonized with models and submissions of other Trade and Business Process Groups. It re-uses core components extensively. Therefore this document is based on the draft UN/CEFACT Core Component Library CCL010A,

9. Draft Core Component reference

All the new (draft) Core Components, Business Information Entities, and Qualified Data Types that have been used in this RSM have been submitted for registration in the UN/CEFACT Registry version 10A.

10. Additional documentation

This section identifies any additional documentation that will be registered with the canonical model in respect to the BCCs or ACCs that have been provided for registration in the UN/CEFACT Registry.

Not applicable at this point in time.

11. Additional information



D10A Common
Supply Chain Classes.