



UN/CEFACT

Simple, Transparent and Effective Processes
For Global Commerce

REQUIREMENTS SPECIFICATION MAPPING (RSM)

Business Domain: Cross Industry – Supply Chain

Business Process: Invoicing Process

Title: Cross Industry Invoicing Process

UN/CEFACT International Trade and Business Processes Group: TBG1

Version: 2.00.08

Release: 2

Document Summary

Document Item	Current Value
Document Title	Requirements Specification Mapping Cross Industry Invoicing Process
Date Last Modified	3-Jul-2009
Current Document Version	2.00.08
Status	Draft
Document Description (one sentence summary)	Specification that describes the data model and targeted technology solutions for the invoicing process.

Contributors

Name	Organization

Log of Changes

Issue No.	Date of Change	Changed By	Summary of Change
2.00.03	6-Jun-2009	TBG1	Provided the RSM in the format as required by ICG.
2.00.04	7-Jun-2009	TBG1	Added message assembly in chapter 11. Removed 6 unused ABIEs from paragraph 7.3.
2.00.05	15-Jun-2009	TBG1	Updated diagrams in paragraph 6.2: <ul style="list-style-type: none"> ■ added Specified_ Binary File to all diagrams ■ added ASBIE CI_ Referenced_ Document. Issuer. CI_ Trade_ Party to all diagrams ■ updated associations from CIIH_ Trade Agreement in figure 6-3 ■ updated associations from CI_ Exchanged Document_ Context in figure 6-2 ■ added CIIL_ Document Line_ Document in figure 6-2 ■ added ASBIE Billing. CI_ Specified_ Period to both CIIH and CIIL_ Supply Chain_ Trade Settlement (figures 6-7 and 6-8)

Issue No.	Date of Change	Changed By	Summary of Change
2.00.06	16-Jun-2009	TBG1	<ul style="list-style-type: none"> ■ added Trade Settlement_ Financial Card to figures 6-7 and 6-8. ■ added CI_ Supply Chain_ Packaging and CI_ Delivery_ Adjustment to figure 6-6 ■ added explanatory note in paragraph 6.2 on header and line specific components.
2.00.07	24-Jun-2009	TBG1	<p>Various changes based on the ICG First Cycle Audit Pass 20-Jun-2009;</p> <ul style="list-style-type: none"> ■ Updated all diagrams in par. 6.2 to include missing associations and classes. ■ Removed 3 unused BBIEs from par. 7.1. ■ Updated the codes for CIIH_ Exchanged_ Document Type. Code in par.7.1 ■ Removed ASBIE CI_ Logistics_ Service Charge. Calculation Basis. CI_ Trade_ Price from par. 7.2 ■ Removed 5 unused ABIEs from par. 7.2 ■ Rephrased the chapters 8 and 9, and removed the included Excel file in chapter 9.
2.00.08	3-Jul-2009	TBG1	<p>Changed Billing_ Document into Invoice_ Document in par.7.1</p>

TABLE OF CONTENTS

1. Preamble	5
2. References	5
3. Objective	5
4. Definition of terms.....	5
5. Target technology solutions.....	12
6. Information payload to be implemented	13
6.1. Conceptual Data Model for the Cross Industry Invoice	13
6.2. Canonical Data Model for the Cross Industry Invoice.....	14
7. Business information entity reference	23
7.1. Basic Business Information Entities section	23
7.2. Aggregate Business Information Entities section.....	27
8. Core components UN/CEFACT Registry version used.....	100
9. Draft Core Component reference	100
10. Additional documentation	100
11. Additional information.....	100

1. Preamble

The current practice of the exchange of business documents by means of telecommunications – usually defined as e-Business presents a major opportunity to improve the competitiveness of companies, especially for Small and Medium Enterprises (SME).

The commercial invoice is an important document exchanged between trading partners. In addition to its prime function as a request for payment from the seller to the buyer, the invoice is an important accounting document and, also has potential legal implications for both trading partners. Additionally, e.g., in the member states of the European Union, the invoice is the key document for VAT declaration and reclamation, for statistics declaration, and to support export and import declaration in respect of trade with other countries.

Started as an initiative by CEN/ISSS Work shop eBES, the European Expert Group 1 (EEG1) – Supply Chain & e-Procurement developed the Cross Industry Invoice in 2004. The Cross Industry Invoice has been compiled using the EUROFER ESIDEL version 1.0 as the base, with contributions and submissions from: EUROFER, GS1, CIDX, EDIFICE, AIAG/ODETTE/JAMA, GHX and EDS. The first draft of the Business Requirements Specification (BRS) was presented at the September 2004 UN/CEFACT Forum to the TBG1 members for review and comments from the other regions. In 2008 version 2.0 of the BRS document was released. Version 2.0 of the BRS was taken as the basis to develop the Requirements Specification Mapping (RSM) version 2.

The structure of this document is based on the structure of the UN/CEFACT Requirements Specification Mapping (RSM) – Documentation Template and Conformity Rules, document reference CEFACT/ICG/006.

2. References

- UN/CEFACT TBG1 Common Supply Chain BRS, Release 1
- UN/CEFACT TBG1 Cross Industry Invoicing BRS, Release 2

3. Objective

In conjunction with the BRS document (CEFACT/ICG/005), the purpose of this document is to provide a standard framework for the exchange of information for

4. Definition of terms

Term	Definition
Acceptance Of Goods	1. Date on which the goods are taken over by the carrier at the place of acceptance (CMR 4). 2. The process of receiving a consignment usually against the issue of a receipt. As and from this moment the party accepting the consignment becomes responsible for the consignment.
Accepted	To take on a responsibility or liability for something.
Account	A formal contractual relationship established to provide for regular banking, brokerage or business services.

Term	Definition
Accounting	Record or statement of financial transactions.
Agent	A person or company that provides a particular service, typically one organizing transactions between two other parties.
Allowance	The amount of something allowed.
Allowance Charge	Details about a component of pricing, such as a service, promotion, allowance or charge.
Amount	A number of monetary units specified in a currency where the unit of currency is explicit or implied.
Available	1. Able to be used or obtained. 2. Goods positioning date/time, expected – Date/time on which goods are expected to be positioned.
Batch	n. A quantity or consignment of goods produced at one time. v. Arrange (things) in sets or groups.
Batch (No.)	(Identification of) a quantity or consignment of goods produced at one time.
Buyer	The party to which goods or services are sold.
Carrier	The party undertaking the transportation of goods from one point to another.
Cash	Money in the form of bills and coins.
Catalogue	A list of items arranged in a systematic order.
Category	A class or division of people or things having particular shared characteristics.
Characteristic	A feature or quality typical of a person, place, or thing.
Charge	An amount asked as a price for a service rendered or goods supplied (OED derived).
Classification	Arrangement (of a group) in classes or categories according to shared qualities or characteristics.
Commission	A sum paid to an agent in a commercial transaction.
Communication	The means of sending or receiving information, such as telephone lines or computers.
Communication (Address)	The unique identification of location, person or company within a specific means of sending or receiving information, such as telephone lines or computers.
Condition	The state of something or someone, with regard to appearance, fitness, or working order.
Conditions	1 Circumstances affecting the functioning or existence of something. 2 A state of affairs that must exist before something else is possible.
Consignee	The party by whom the goods, cargo or containers are meant to be received. The actual physical receipt can take place by another party.
Consignment	A separately identifiable collection of goods items (available to be) transported from one consignor to one consignee via one or more modes of transport as specified in one single transport document.

Term	Definition
Consignor	The party by whom goods, cargo and containers are sent. The physical dispatch can be done by another party.
Context	The circumstances that form the setting for an event, statement, or idea, and in terms of which it can be fully understood.
Contract	A legally binding agreement between two parties in which the specific titles, rights, commitments and obligations of both parties are defined.
Count	The total determined by counting.
Country Of Arrival	The country to which a means of transport is scheduled to arrive or has arrived.
Country Of Departure	The country from which a means of transport is scheduled to depart or has departed.
Country Of Destination	The country to which goods are (to be) transported.
Country Of Origin	The country in which the goods have been produced or manufactured, according to criteria laid down for the purposes of application of the Customs tariff, of quantities restrictions, or of any other measure related to trade.
Country Sub-division	A formally recognized subdivision of a country.
Creditor	One who gives credit for money or goods; one to whom a debt is owing; correlative to debtor.
Currency	That which is current as a medium of exchange; the circulating medium (whether coins or notes); the money of a country in actual use.
Currency Exchange	The conversion of financial amounts in one currency to another.
Customer	The party to which or to whom goods and/or services are supplied.
Customs	The government organization that deals with the levying of duties and taxes on imported goods from foreign countries and the control over the export and import of goods.
Date	Identification of a particular calendar day, expressed by some combination of the data elements calendar year, calendar month, calendar week, calendar day, of day of the year.
Deductible	An amount or percentage that can be taken away from or applied to another amount for purpose of reduction.
Deduction	An amount that is or may be deducted.
Deliver	Bring and handover (a letter, goods or service) to the appropriate recipient.
Delivered	The quantity provided (of something promised or expected).
Delivery	1. The action of delivering something, especially letters, goods or services. 2. The physical process of handing over goods to the consignee or to the party acting on his behalf.
Delivery Date	The date on which the delivery of goods to takes place, is scheduled to take place, or must be received.
Delivery Terms	Conditions in a sales or transportation contract that specify the carrier, routing, freight charges, place of delivery, time of delivery, etc.

Term	Definition
Dimension	A measurable extent, such as length, breadth or height.
Disbursement	The action of dispersing money that is paid out.
Discharge	The process of unloading the goods from a means of transport.
Discount	1. A deduction from the usual cost of something. 2. (Finance) a percentage deducted from the face value of a bill of exchange or promissory note when it changes hands before the due date.
Due	Required as a legal or moral obligation. Expected at, planned for, or required by a certain time.
Duration	The time during which something continues.
Duty	A payment levied on the import, export, manufacture, or sale of goods or services.
Earliest	Not before the time or date specified.
Effective Period	The time during which something runs its course, duration; allotted time; natural lifespan.
Electronic Communication	Communications in the general sense of any communication that involves having components such as microchips and transistors that control and direct electric currents. Used to encompass, fax, telephone, e-mail, EDI, etc.
End	To come or bring to an end; finish..
Event	A significant occurrence or happening related to an object process, or person.
Exclusive	Not divided or shared with others.
Expected	Regarded as likely to happen..
Expiry	The end or term of a period of time.
Family Name	A surname, the hereditary name common to all members of a family, as distinct from a forename.
Fee	A payment made to a professional person or to a professional or public body in exchange for advice or services.
Fiscal	Of or relating to government revenue, especially taxes.
Freight	Goods in transport from one location to another.
Freight Costs	Costs incurred when moving goods, by whatever means, from one place to another under the terms of a contract of carriage. In addition to transport costs, this may include such elements as packing, documentation, loading , unloading, and insurance (to the 2. The amount of money due for the carriage of goods and payable either in advance or upon delivery.
Frequency	1) The rate at which something occurs over a period or in a given sample. 2) Occurrence many times at short intervals.
Given Name	Another term for first name, a personal name given to someone at birth or baptism and used before (or after in some national styles) a family name.

Term	Definition
Gross	Without deduction of tax or other contributions.
	Including contents or other variable items; overall.
Gross Price	Price inclusive of all discounts, rebates, etc.; sometimes called the retail price.
IBAN	Abbreviation of International Bank Account Number.
Identification	The action or process of identifying or the fact of being identified.
Identifier	Something which identifies.
Invoice	
Invoicee	One who receives the invoice and is expected to arrange its settlement.
Invoicer	One who issues the invoice.
Issued	1) supplied or distributed for use.
	2) formally sent out or made known.
Level (Packaging)	The position in a series of packaging that groups items together within a package within a package etc..
Line Item	An article or unit of any kind included in an enumeration, computation, or sum total.
Location	A particular place or position.
Logistic Service Provider	Party providing logistic services such as warehousing, re-packing products, distribution and assembly.
Lot (No.)	(Identification of) a particular group or set of people or things.
Maximum	The highest value or extreme limit.
Means (Of Payment Guarantee)	This indicates the kind of guarantee covering the payment.
Means (Of Payment)	The method used for payment.
Means (Of Settlement)	An act that discharges obligations in respect of funds or securities transfers between two or more parties.
Means (Of Transport)	The particular vehicle used for the transport of goods or persons.
Measure	A standard unit used to express size, amount, or degree.
Measurement	An amount, size, or extent as established by measuring.
Minimum	The smallest amount or quantity that is possible, usual, attainable, allowable, etc.
Monetary Adjustment	See Allowance Charge
Net	(Of an amount, value or price) remaining after deduction of tax or other contributions.
Net Price	Price after all discounts, rebates, etc., have been allowed; sometimes called the wholesale price.
Net Volume	1. The amount or quantity of something free from, or not subject to, any (further) deduction.
	2. (Of a weight) excluding that of packaging.
Net Weight	Measurement of quantity by means of weighing, free from, or not subject to, any (further) deduction.

Term	Definition
Non Repudiation	Non repudiation means that the originator must digitally sign the business data and the recipient must store the business data in its original form for the mutually agreed duration.
Number	An arithmetic value, expressed by a word, symbol or figure, representing a particular amount.
Original	1. The earliest form of something. 2. Existing from the beginning: first or earliest.
Package	1. The final product of the packing operation. 2. Consisting of the packing and the contents, e.g. a box, carton, crate, barrel, pallet, etc.
Packaging	The action or process of making something into a package or enclosing a thing in packaging; the action of wrapping something up.
Payee	A person or company to whom money is being paid or is due, especially in a transaction such as the payment of a cheque or money order.
Payment	The action of paying or the process of being paid.
Payment Terms	Conditions or stipulations limiting the paying of money or its equivalent for (also of) goods, services, etc.
Payor	The person or company named as responsible for the payment of a cheque, money order, or other financial 'paper' when it is redeemed.
Percentage	1) A rate, number, or amount in each hundred. 2) Any proportion or share in relation to a whole.
Period (Of Time)	A length or portion of time. A portion of time between two time points.
Prepaid	Paid for in advance.
Pre-Payment	Payment that has taken place before the delivery.
Previous	Existing or occurring before in time or order.
Price	The amount of money (or a material equivalent) expected, required, or given in payment for a commodity or service.
Product	Any tangible output or service produced by human or mechanical effort or by a natural process.
Product Instance	An instance of an individual product or batch of similar products produced by human or mechanical effort or by a natural process.
Quantity	A certain amount or number.
Rate	Numeric information that is assigned or is determined by calculation, counting, or sequencing. It does not require a unit of quantity or unit of measure.
Rate Basis	The basis of calculation of an amount of a charge or payment expressed as an amount per some feature.
Received	Taken delivery of.
Regime	A systematic or ordered way of doing something.

Term	Definition
Regulation	A rule prescribed for the management of some matter, or for the regulating of conduct; a governing precept or direction; a standing rule.
Remittance	A sum of money remitted.
Seller	The party selling goods or services.
Sequence	The fact of following after or succeeding; the following of one thing after another in succession; an instance of this.
Serial Number	An identification number showing the position of a manufactured item in a series.
Service	Work or doing of work for another or for a community such as utilities and transport.
Service Charge	A charge made for banking or other services such as Freight Services.
Settlement	'settle' – pay (a debt or account)
Status	The position of affairs at a particular time.
Subdivision	Subdivisions of a country such as primary subdivisions, County (UK), Departement (France), State (US) etc., secondary subdivisions such.
Supplier	Someone who makes (something needed) available to someone.
Tariff	A classified list or scale of charges made in any private or public business; as, a hotel tariff, a railroad tariff.
	A tax or duty to be paid on a particular class of imports or exports.
Tax	A levy or payment for the support of a government required of persons, groups, or businesses within the domain of that government.
Terms Of Delivery	All the conditions agreed upon between a seller and a buyer with regard to the delivery of goods and/or services, e.g. CIF, FOB, or EXW from the INCOTERMS Terms of Delivery.
Terms Of Freight	All the conditions (to be) agreed upon between a transport service provider and a transport service buyer about the type of freight and charges due to carriage and whether they are prepaid or are to be collected.
Terms Of Transport	All the conditions agreed upon between a transport service provider and a transport service buyer with regard to the transportation of goods, e.g. CIF, FOB, or EXW from the INCOTERMS Terms of Delivery.
Type	A category of people or things having common characteristics.
Ultimate Consignee	A final person to whom goods are consigned.
Value	1. Material or monetary worth.
	2. The numerical amount denoted by an algebraic term; a magnitude, quantity, or number.

5. Target technology solutions

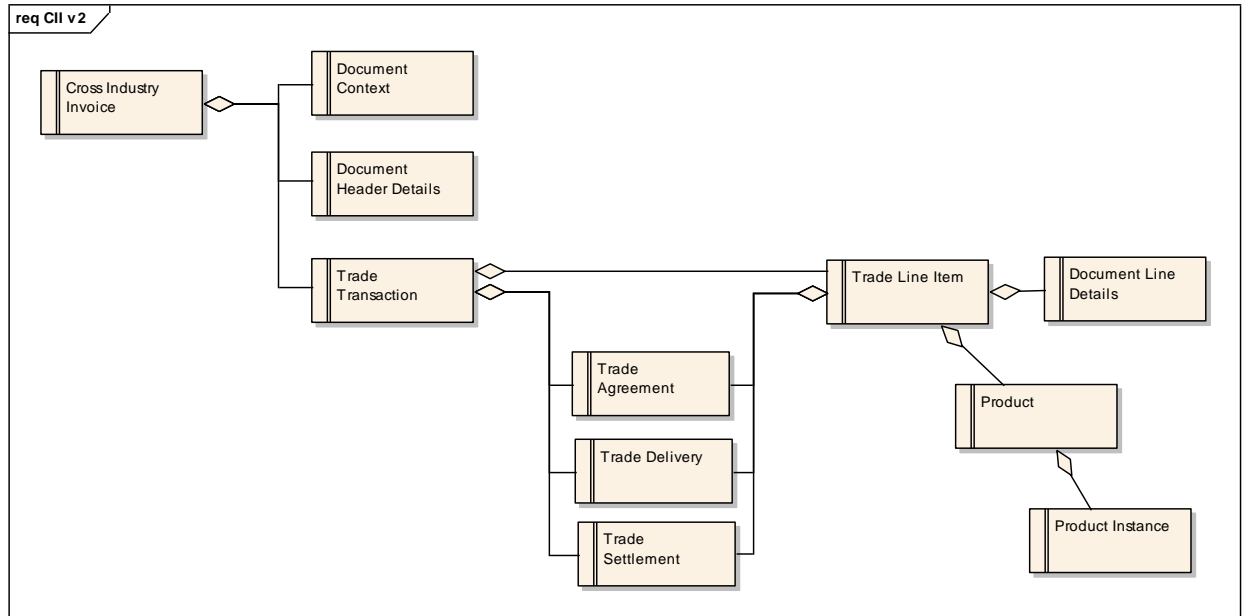
The CII v2 solution requires a UN/CEFACT XML standard schema.

The CII v2 solution will not be implemented as a UN/EDIFACT standard message.

6. Information payload to be implemented

6.1. Conceptual Data Model for the Cross Industry Invoice

Figure 6-1 Business message model



Philosophy behind the conceptual design

The conceptual design is based on the assumption that information exchanged in the order-to-pay process tends to have a large degree of similarity. Therefore rather than linking the information to message specific entities three neutral entities have been defined: Trade Agreement, Trade Delivery and Trade Settlement. These entities contain the main semantic payload for all communication exchanges, on header as well as on line level.

A fourth essential entity is the Product entity. This entity holds all characteristics of the trade product that are independent of a particular trade transaction.

The Trade Transaction and Trade Line Item entities serve to structure the entities mentioned before.

Description of the main entities

- Document Context: Application processing information for the business document.
- Document Heading: Generic document heading information such as Invoice number, Issue date.
- Trade Transaction: Information on the trade transaction(s) to which the invoice applies.
- Trade Line Item: Information on the line items that are being invoiced.
- Trade Agreement: information on the commercial agreement on which the invoiced trade transaction or line is based.
- Trade Delivery: information on the fulfillment of the invoiced trade transaction or line.

- Trade Settlement: information on the financial settlement of the invoiced trade transaction or line.
- Product: Information on the generic object that is being invoiced.
- Product Instance: Information on the individual objects that are being invoiced.

6.2. Canonical Data Model for the Cross Industry Invoice

For readability reasons the canonical model is provided in multiple diagrams, each providing a full description of a segment in the Cross Industry Invoice.

- ✓ **Note:** The three entities Trade Agreement, Trade Delivery and Trade Settlement have been depicted as identical on header and line level, since these entities are meant to support the entire Order-to-Pay process. In the individual steps of the process, such as the invoice, further refinements can be made on what is communicated on header and line level. Therefore in the canonical model for the Invoice message the three conceptual entities are realized as six message specific entities, one for the header and one for the line.

Figure 6-2 Exchanged_ Document, Exchanged Document_ Context and Document Line_ Document

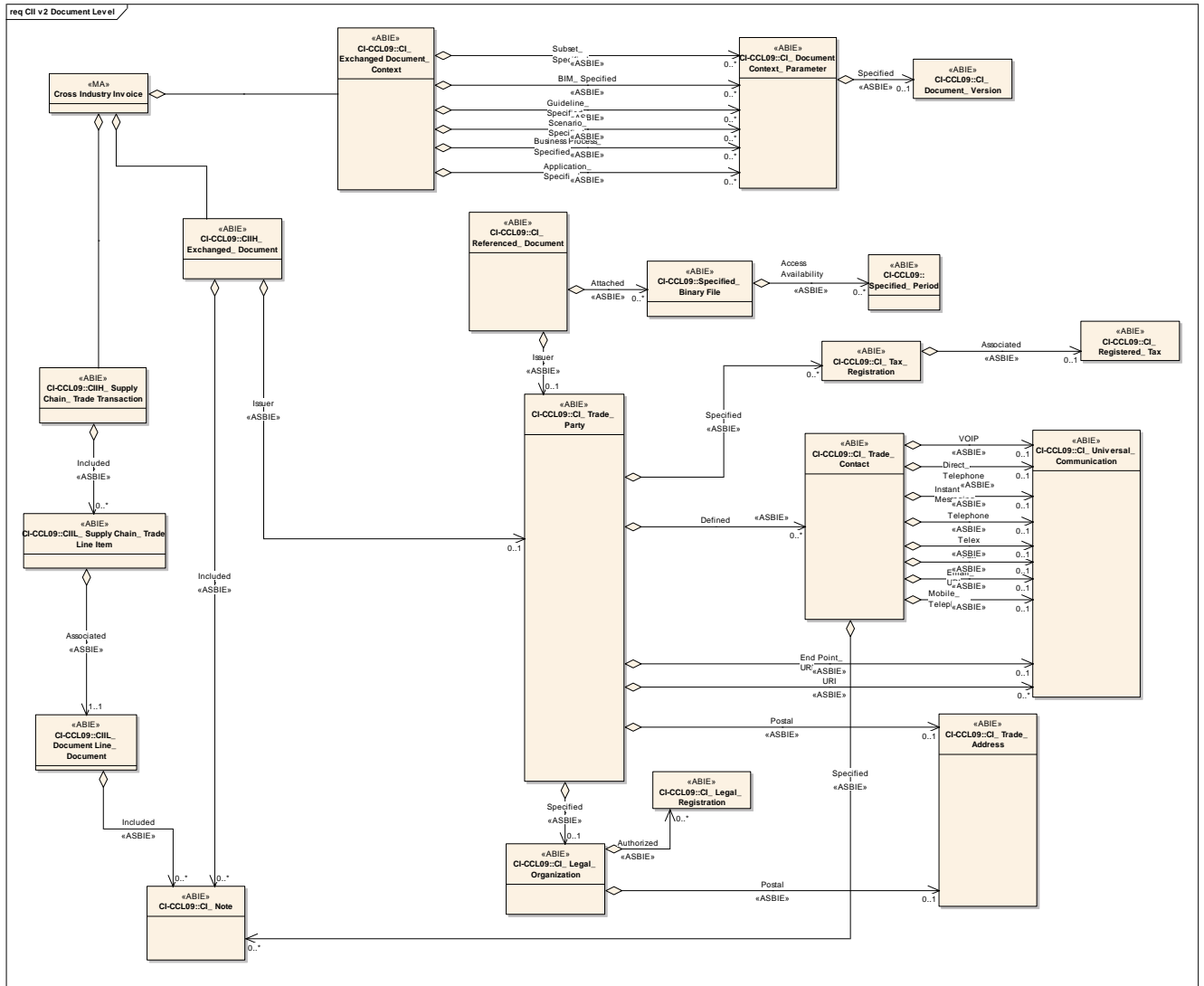


Figure 6-3 CIH_ Supply Chain_ Trade Agreement

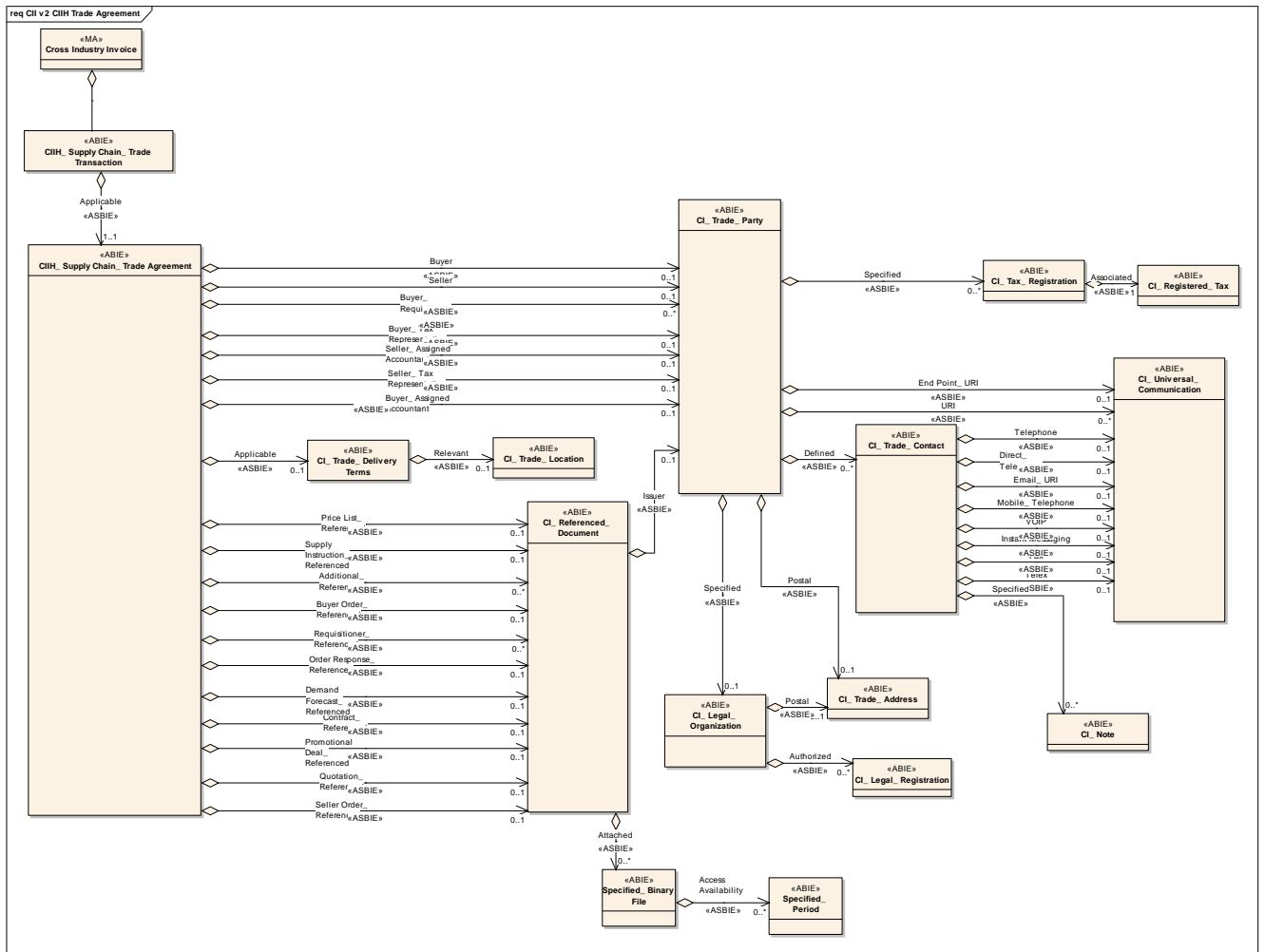


Figure 6-4 CIIL_ Supply Chain_ Trade Agreement

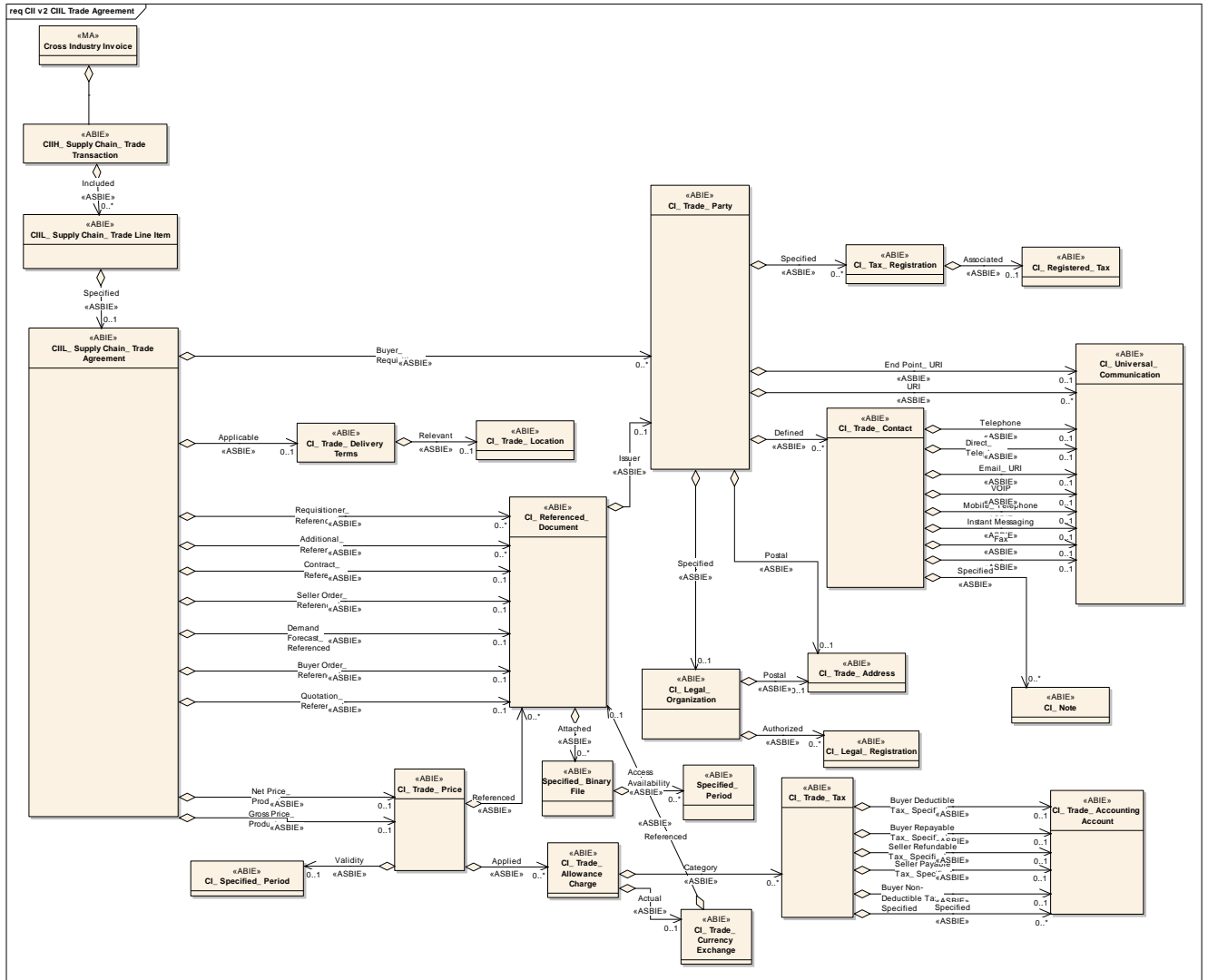


Figure 6-5 CIH_ Supply Chain_ Trade Delivery

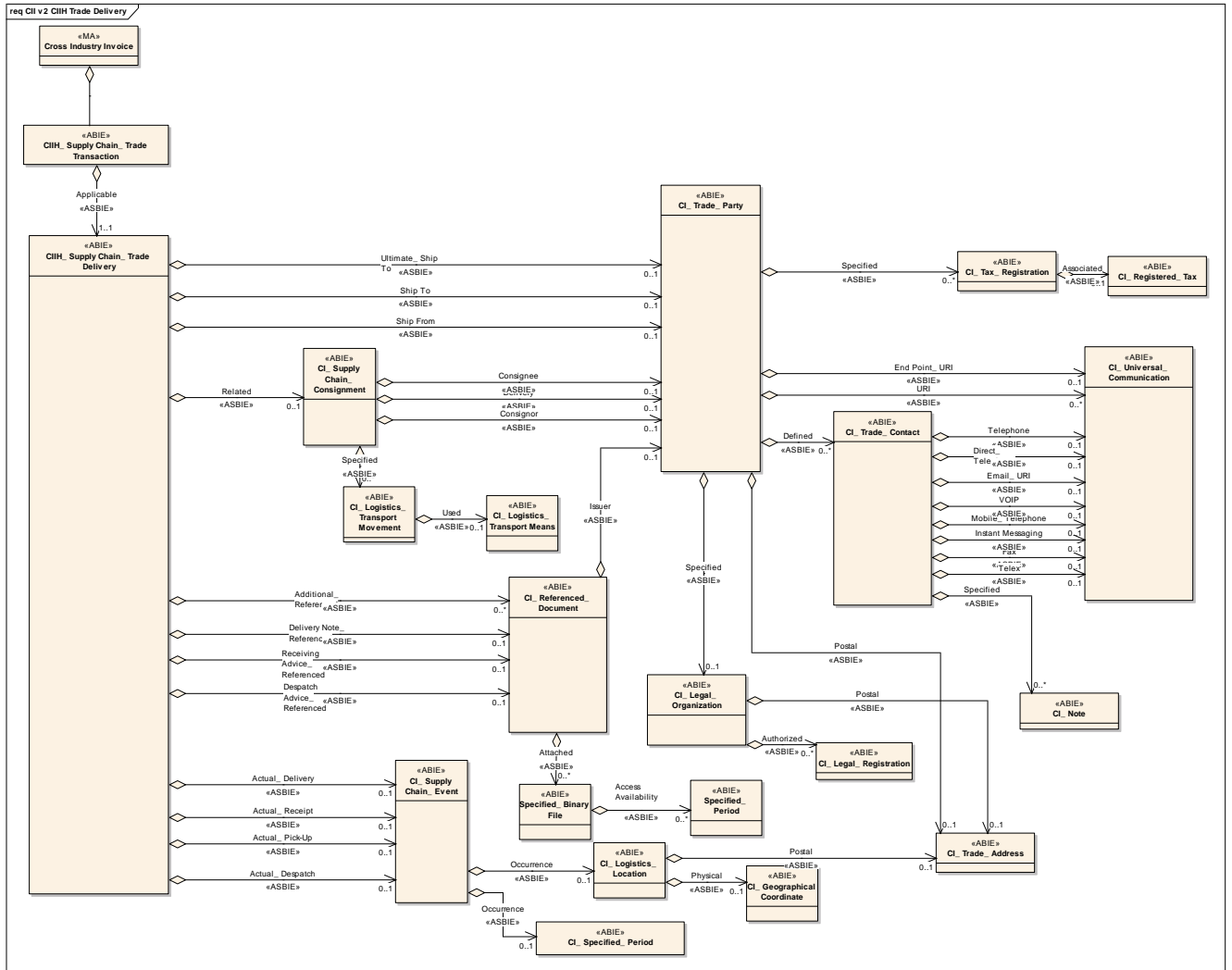


Figure 6-6 CIIL_ Supply Chain_ Trade Delivery

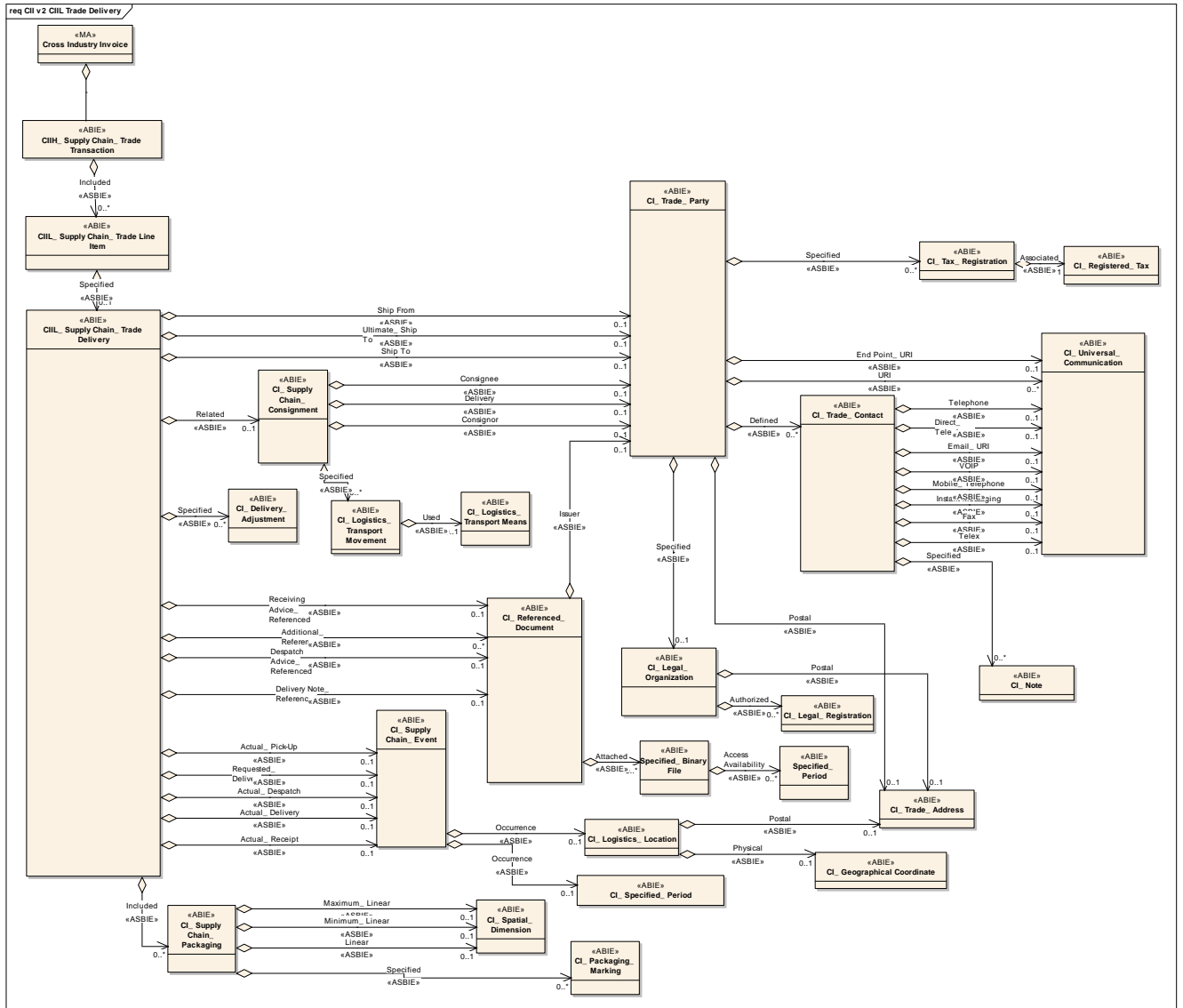
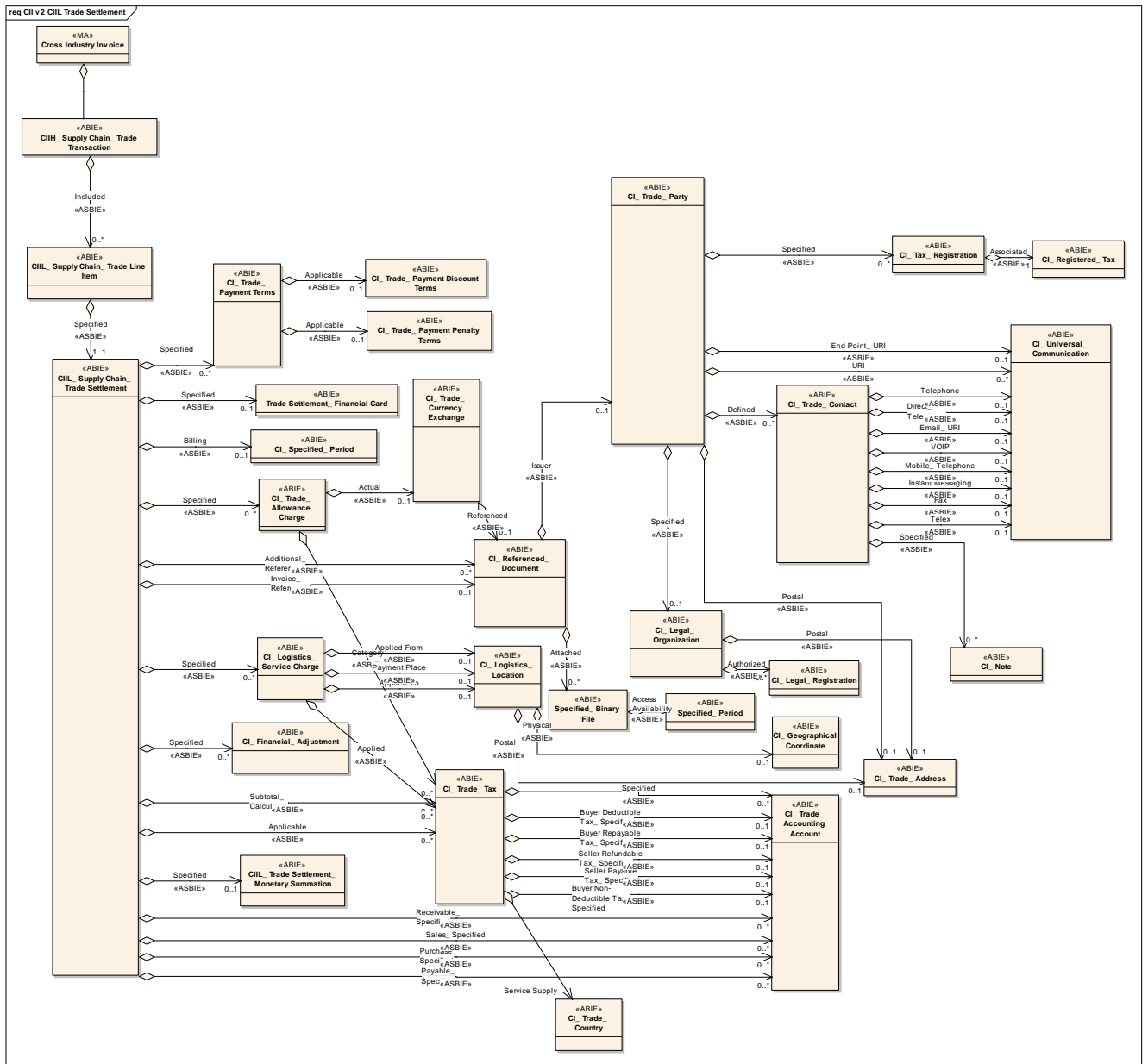


Figure 6-8 CIIL_ Supply Chain_ Trade Settlement



7. Business information entity reference

This section contains the list of all the Business Information Entities that are both used within the canonical data model and are variations from the standard Core Components, including the UN/CEFACT Registry version that served as the reference point.

7.1. Basic Business Information Entities section

This section identifies any restrictions that have to be applied to the BBIE in the context in which it is being used.

BBIE Dictionary Entry Name	Qualified Data Type	Core Component DEN	CC Restriction Type (CII specific only)	CC Restriction (CII specific only)	SC Restriction Type (CII specific only)	SC Restrictions (CII specific only)	UNCL TDED
CIIH_ Exchanged_ Document. Type. Code	Invoice_ Document	Document. Type. Code	Enumeration	80 Debit note related to goods or services 81 Credit note related to goods or services 82 Metered services invoice 83 Credit note related to financial adjustments 84 Debit note related to financial adjustments 261 Self billed credit note 262 Consolidated credit note - goods and services 325 Proforma invoice 380 Commercial invoice 381 Credit note 383 Debit note 384 Corrected invoice 385 Consolidated invoice 386 Prepayment invoice 389 Self-billed invoice 395 Consignment invoice 396 Factored credit note	None	None	1001

BBIE Dictionary Entry Name	Qualified Data Type	Core Component DEN	CC Restriction Type (CII specific only)	CC Restriction (CII specific only)	SC Restriction Type (CII specific only)	SC Restrictions (CII specific only)	UNCL TDED
CI_Logistics_Service Charge. Identification. Identifier	Freight Charge Type	Service Charge. Identification. Identifier	Coded Enumeration	UN Recommendation 23	None	None	8023
CI_Logistics_Service Charge. Tariff Class. Code	Freight Charge Tariff Class	Service Charge. Tariff Class. Code	Enumeration	UNCL 5243 list	None	None	5243
CI_Logistics_Service Charge. Paying Party Role. Code	Charge Paying Party Role	Service Charge. Paying Party Role. Code	Enumeration	AB Buyer's agent AE Declarant's agent AF Transit principal AH Transit principal's agent AQ Approved consignor AR Authorized exporter AT Authorized importer AU Authorized trader (transit) CA Carrier CG Carrier's agent CN Consignee CPD Charges payer at destination CX Consignee's agent CZ Consignor EX Exporter FW Forwarder GS Consignor's agent IM Importer IV Invoicee PE Payee	None	None	3035
CI_Logistics_Service Charge. Calculation Basis. Code	Logistics Charge Calculation Basis	Service Charge. Calculation Basis. Code	Enumeration	ZZZ Mutually defined	None	None	6131
CI_Logistics_Transport Means. Type. Code	Transport Means Type	Transport Means. Type. Code	Enumeration	UN Recommendation 28	None	None	8179
CI_Referenced_Document. Issue. Date Time	Date Mandatory	Document. Issue. Date Time	None	None	None	None	2007

BBIE Dictionary Entry Name	Qualified Data Type	Core Component DEN	CC Restriction Type (CII specific only)	CC Restriction (CII specific only)	SC Restriction Type (CII specific only)	SC Restrictions (CII specific only)	UNCL TDED
CI_Referenced_Document.Reference_Type.Code	Reference	Document.Reference_Type.Code	Enumeration	UNCL 1153 list	None	None	1153
CI_Spatial_Dimension_Type.Code	Dimension Type	Dimension_Type.Code	Enumeration	UNCL 6145 list	None	None	6145
CI_TradeSettlement_PaymentMeans.PaymentChannel.Code	Payment Means Channel	PaymentMeans.PaymentChannel.Code	Enumeration	UNCL 4435 list	None	None	4435
CI_TradeSettlement_PaymentMeans.GuaranteeMethod.Code	Payment Guarantee Means	PaymentMeans.GuaranteeMethod.Code	Enumeration	UNCL 4419 list	None	None	4419
CI_Trade_AllowanceCharge.Reason.Code	Adjustment Reason	AllowanceCharge.Reason.Code	Enumeration	UNCL 4465 list	None	None	4465
CI_Trade_CurrencyExchange.SourceCurrency.Code	Currency	CurrencyExchange.SourceCurrency.Code	Enumeration	UNCL 6345 list	None	None	6345
CI_Trade_CurrencyExchange.TargetCurrency.Code	Currency	CurrencyExchange.TargetCurrency.Code	Enumeration	UNCL 6345 list	None	None	6345
CI_Trade_DeliveryTerms.DeliveryType.Code	Delivery Terms	DeliveryTerms.DeliveryType.Code	Enumeration	UNCL 4053 list	None	None	4053
CI_Trade_Location.Country.Identifier	Country	Location.Country.Identifier	Enumeration	UNCL 3207 list	None	None	3207

BBIE Dictionary Entry Name	Qualified Data Type	Core Component DEN	CC Restriction Type (CII specific only)	CC Restriction (CII specific only)	SC Restriction Type (CII specific only)	SC Restrictions (CII specific only)	UNCL TDED
CI_Trade_Payment Terms. Identification. Identifier	Payment Terms	Payment Terms. Identification. Identifier	Enumeration	UNCL 4277 list	None	None	4277
CI_Trade_Payment Terms. From Event. Code	Payment Terms Event Time Reference	Payment Terms. From Event. Code	Enumeration	5 Date of invoice 24 Date ex-works 29 Date of delivery 45 Date of transport contract document 71 Date of presentation of documents	None	None	2475
CI_Trade_Price. Type. Code	Price Type	Price. Type. Code	Enumeration	UNCL 5375 list	None	None	5375
CI_Trade_Tax. Type. Code	Tax Type	Tax. Type. Code	Enumeration	UNCL 5153 list	None	None	5153
CI_Trade_Tax. Currency. Code	Currency	Tax. Currency. Code	Enumeration	UNCL 6345 list	None	None	6345

7.2. Aggregate Business Information Entities section

Occurrence	Element/Attribute
0 .. 1	<p>ABIE Branch_ Financial Institution. Details</p> <p>BBIE Branch_ Financial Institution. Identification. Identifier Definition: The unique identifier for this branch of a financial institution. BRS Mapping CSC FIB0001 0..1 Branch identification</p>
0 .. 1	<p>BBIE Branch_ Financial Institution. Name. Text Definition: The name, expressed as text, for this branch of a financial institution. BRS Mapping CSC FIB0002 0..1 Institution Branch name</p>
0 .. 1	<p>ASBIE Branch_ Financial Institution. Location. Financial Institution_ Address</p> <p>Definition: The location address for this branch of a financial institution. BRS Mapping CSC FIB0003 0..1 Address</p>

Occurrence	Element/Attribute
	ABIE CIIH_ Exchanged_ Document. Details
1 .. 1	BBIE CIIH_ Exchanged_ Document. Identification. Identifier Definition: The unique identifier of this CIIH exchanged document. BRS Mapping INV INV0001 1..1 Invoice Identifier
0 .. unbounded	BBIE CIIH_ Exchanged_ Document. Name. Text Definition: A name, expressed as text, of this CIIH exchanged document. BRS Mapping INV INV0006 0..1 Document Name
0 .. 1	BBIE CIIH_ Exchanged_ Document. Type. Code Definition: The code specifying the type of CIIH exchanged document. BRS Mapping INV INV0003 0..1 Document Type Code
1 .. 1	BBIE CIIH_ Exchanged_ Document. Issue. Date Time Definition: The date, time, date time or other date time value for the issuance of this CIIH exchanged document. BRS Mapping INV INV0002 1..1 Issue Date
0 .. 1	BBIE CIIH_ Exchanged_ Document. Copy. Indicator Definition: The indication of whether or not this CIIH exchanged document is a copy. BRS Mapping INV INV0009 0..1 Copy Indicator
0 .. 1	BBIE CIIH_ Exchanged_ Document. Purpose. Text Definition: The purpose, expressed as text, of this CIIH exchanged document. BRS Mapping INV INV0008 0..1
0 .. unbounded	BBIE CIIH_ Exchanged_ Document. Language. Identifier Definition: A unique identifier for a language used in this CIIH exchanged document. BRS Mapping CSC DOC0010 0..1 Document Language
0 .. 1	BBIE CIIH_ Exchanged_ Document. Purpose. Code Definition: The code specifying the purpose of this CIIH exchanged document, such as request or reminder. BRS Mapping INV INV0007 0..1 Document purpose code
0 .. 1	BBIE CIIH_ Exchanged_ Document. Revision. Date Time Definition: The date, time, date time or other date time value for the revision of this CIIH exchanged document. BRS Mapping CSC DOC0005 0..1 Revision Date Time
0 .. 1	BBIE CIIH_ Exchanged_ Document. Version_ Identification. Identifier Definition: The unique identifier for the version of this CIIH exchanged document. BRS Mapping CSC DOC0012 0..1 Version ID
0 .. 1	BBIE CIIH_ Exchanged_ Document. Global_ Identification. Identifier Definition: The unique global identifier for this CIIH exchanged document. BRS Mapping CSC DOC0004 0..1 Universally unique identifier
0 .. 1	BBIE CIIH_ Exchanged_ Document. Revision_ Identification. Identifier Definition: The unique identifier of the revision of this CIIH exchanged document. BRS Mapping CSC DOC0006 0..1 Index ID - mapped to Revision which refers to document content versions
0 .. 1	BBIE CIIH_ Exchanged_ Document. Previous Revision_ Identification. Identifier Definition: The unique identifier of the previous revision of this CIIH exchanged document. BRS Mapping CSC DOC0007 0..1 Previous Index ID - mapped to Revision which refers to document content versions
0 .. 1	BBIE CIIH_ Exchanged_ Document. Category. Code Definition: The code specifying the category for this CIIH exchanged document. BRS Mapping INV INV0007 0..1 Document Category Code
0 .. 1	BBIE CIIH_ Exchanged_ Document. Control Requirement. Indicator Definition: The indication of whether or not there is a control requirement for this CIIH exchanged document.
0 .. unbounded	ASBIE CIIH_ Exchanged_ Document. Included. CI_ Note Definition: A note included in this CIIH exchanged document. BRS Mapping CSC DOC0016 0.* Note
0 .. 1	ASBIE CIIH_ Exchanged_ Document. Issuer. CI_ Trade_ Party Definition: The party that issues this CIIH exchanged document. BRS Mapping INV INV0013 0..1 Document Issuer

Occurrence	Element/Attribute
	ABIE CIIH_Supply Chain_Trade Agreement_Details
0 .. 1	ASBIE CIIH_Supply Chain_Trade Agreement_Seller_CI_Trade_Party Definition: The party that is the seller for this CIIH supply chain trade agreement. BRS Mapping INV INV0017 0..1 Seller
0 .. 1	ASBIE CIIH_Supply Chain_Trade Agreement_Buyer_CI_Trade_Party Definition: The party that is the buyer for this CIIH supply chain trade agreement. BRS Mapping INV INV0018 0..1 Buyer
0 .. 1	ASBIE CIIH_Supply Chain_Trade Agreement_Buyer_Assigned Accountant_CI_Trade_Party Definition: The trade party assigned as an accountant by the buyer for this CIIH supply chain trade agreement. BRS Mapping INV INV0019 0..1 Buyer Accountant
0 .. 1	ASBIE CIIH_Supply Chain_Trade Agreement_Seller_Assigned Accountant_CI_Trade_Party Definition: The trade party assigned as an accountant by the seller for this CIIH supply chain trade agreement. BRS Mapping INV INV0020 0..1 Seller Accountant
0 .. 1	ASBIE CIIH_Supply Chain_Trade Agreement_Buyer_Tax Representative_CI_Trade_Party Definition: The trade party acting as a tax representative for the buyer for this CIIH supply chain trade agreement. BRS Mapping INV INV0018 0..1 Buyer's Tax Representative
0 .. 1	ASBIE CIIH_Supply Chain_Trade Agreement_Seller_Tax Representative_CI_Trade_Party Definition: The trade party acting as a tax representative for the seller for this CIIH supply chain trade agreement. BRS Mapping INV INV0250 0..1 Seller's Tax Representative
0 .. 1	ASBIE CIIH_Supply Chain_Trade Agreement_Applicable_CI_Trade_Delivery Terms Definition: The trade terms of delivery applicable to this CIIH supply chain trade agreement. BRS Mapping INV INV0033 0..1 Delivery Terms
0 .. 1	ASBIE CIIH_Supply Chain_Trade Agreement_Seller Order_Referenced_CI_Referenced_Document Definition: The seller order document referenced from this CIIH supply chain trade agreement. BRS Mapping INV INV0251 0..1 Order Document (seller)
0 .. 1	ASBIE CIIH_Supply Chain_Trade Agreement_Buyer Order_Referenced_CI_Referenced_Document Definition: The buyer order document referenced from this CIIH supply chain trade agreement. BRS Mapping INV INV0023 0..1 Order Document (buyer)
0 .. 1	ASBIE CIIH_Supply Chain_Trade Agreement_Quotation_Referenced_CI_Referenced_Document Definition: The quotation document referenced from this CIIH supply chain trade agreement. BRS Mapping INV INV0022 0..1 Quotation Document
0 .. 1	ASBIE CIIH_Supply Chain_Trade Agreement_Order Response_Referenced_CI_Referenced_Document Definition: The order response document referenced from this CIIH supply chain trade agreement. BRS Mapping INV INV0024 0..1 Order Response Document
0 .. 1	ASBIE CIIH_Supply Chain_Trade Agreement_Contract_Referenced_CI_Referenced_Document Definition: The contract document referenced from this CIIH supply chain trade agreement. BRS Mapping INV INV0021 0..1 Contract Document
0 .. 1	ASBIE CIIH_Supply Chain_Trade Agreement_Demand Forecast_Referenced_CI_Referenced_Document Definition: The demand forecast document referenced from this CIIH supply chain trade agreement. BRS Mapping INV INV0028 0..1 Demand Forecast Document
0 .. 1	ASBIE CIIH_Supply Chain_Trade Agreement_Supply Instruction_Referenced_CI_Referenced_Document Definition: The supply instruction document referenced from this CIIH supply chain trade agreement. BRS Mapping INV INV0027 0..1 Supply Instruction Document

Occurrence	Element/Attribute
0 .. 1	<p>ASBIE CIIH_Supply Chain_Trade Agreement. Promotional Deal_ Referenced. CI_Referenced_Document</p> <p>Definition: The promotional deal document referenced from this CIIH supply chain trade agreement.</p> <p>BRS Mapping INV INV0025 0..1 Promotional Deal Document</p>
0 .. 1	<p>ASBIE CIIH_Supply Chain_Trade Agreement. Price List_ Referenced. CI_Referenced_Document</p> <p>Definition: The price list document referenced from this CIIH supply chain trade agreement.</p> <p>BRS Mapping INV INV0026 0..1 Price List document</p>
0 .. unbounded	<p>ASBIE CIIH_Supply Chain_Trade Agreement. Additional_ Referenced. CI_Referenced_Document</p> <p>Definition: An additional document referenced from this CIIH supply chain trade agreement.</p> <p>BRS Mapping INV INV0030 0..1 Purchase Conditions</p> <p>BRS Mapping INV INV0031 0.* Additional Document</p>
0 .. unbounded	<p>ASBIE CIIH_Supply Chain_Trade Agreement. Buyer_ Requisitioner. CI_Trade_Party</p> <p>Definition: A Cross Industry (CI) trade party who is a buyer requisitioner in this CIIH supply chain trade agreement.</p> <p>BRS Mapping INV INV0250 0..1 Seller's Tax Representative</p>
0 .. unbounded	<p>ASBIE CIIH_Supply Chain_Trade Agreement. Requisitioner_ Referenced. CI_Referenced_Document</p> <p>Definition: A requisitioner Cross Industry (CI) document referenced in this CIIH supply chain trade agreement.</p>

Occurrence	Element/Attribute
	ABIE CIIH_Supply Chain_Trade Delivery_Details
0 .. 1	ASBIE CIIH_Supply Chain_Trade Delivery_Related_CI_Supply Chain_Consignment Definition: The Cross Industry (CI) supply chain consignment related to this CIIH supply chain trade delivery.
0 .. 1	ASBIE CIIH_Supply Chain_Trade Delivery_Ship To_CI_Trade_Party Definition: The Cross Industry (CI) trade party who is the ship to party for this CIIH supply chain trade delivery.
	BRS Mapping INV INV0043 0.1 Ship To Party
0 .. 1	ASBIE CIIH_Supply Chain_Trade Delivery_Ultimate_Ship To_CI_Trade_Party Definition: The Cross Industry (CI) trade party who is the ultimate ship to party for this CIIH supply chain trade delivery.
	BRS Mapping INV INV0048 0.1 Ultimate Consignee party
	BRS Mapping INV INV0049 0.1 Ultimate Customer
0 .. 1	ASBIE CIIH_Supply Chain_Trade Delivery_Ship From_CI_Trade_Party Definition: The Cross Industry (CI) trade party who is the ship from party for this CIIH supply chain trade delivery.
	BRS Mapping INV INV0045 0.1 Pick-Up party (use ship From party)
0 .. 1	ASBIE CIIH_Supply Chain_Trade Delivery_Actual_Despatch_CI_Supply Chain_Event Definition: The Cross Industry (CI) actual supply chain despatch event for this CIIH supply chain trade delivery.
	BRS Mapping INV INV0036 0.1 Despatch Date, Actual
0 .. 1	ASBIE CIIH_Supply Chain_Trade Delivery_Actual_Pick-Up_CI_Supply Chain_Event Definition: The Cross Industry (CI) actual supply chain pick-up event for this CIIH supply chain trade delivery.
	BRS Mapping INV INV0035 0.1 Pick-Up Date, Actual
0 .. 1	ASBIE CIIH_Supply Chain_Trade Delivery_Actual_Delivery_CI_Supply Chain_Event Definition: The Cross Industry (CI) actual supply chain delivery event for this CIIH supply chain trade delivery.
	BRS Mapping INV INV0034 0.1 Delivery Date, Actual
0 .. 1	ASBIE CIIH_Supply Chain_Trade Delivery_Actual_Receipt_CI_Supply Chain_Event Definition: The Cross Industry (CI) actual supply chain receipt event for this CIIH supply chain trade delivery.
0 .. 1	ASBIE CIIH_Supply Chain_Trade Delivery_Despatch Advice_Referenced_CI_Referenced_Document Definition: The Cross Industry (CI) despatch advice document referenced from this CIIH supply chain trade delivery.
	BRS Mapping INV INV0038 0.* Delivery Advice document - 0.1 in workbase
0 .. 1	ASBIE CIIH_Supply Chain_Trade Delivery_Receiving Advice_Referenced_CI_Referenced_Document Definition: The Cross Industry (CI) receiving advice document referenced from this CIIH supply chain trade delivery.
	BRS Mapping INV INV0039 0.* Receiving Advice Document
0 .. 1	ASBIE CIIH_Supply Chain_Trade Delivery_Delivery Note_Referenced_CI_Referenced_Document Definition: The Cross Industry (CI) delivery note document referenced from this CIIH supply chain trade delivery.
	BRS Mapping INV INV0040 0.* Delivery Note Document
0 .. unbounded	ASBIE CIIH_Supply Chain_Trade Delivery_Additional_Referenced_CI_Referenced_Document Definition: An additional Cross Industry (CI) document referenced from this CIIH supply chain trade delivery.
	BRS Mapping INV INV0041 0.* Additional Document Reference

Occurrence	Element/Attribute
	ABIE CIIH_Supply Chain_Trade Settlement. Details
0 .. unbounded	BBIE CIIH_Supply Chain_Trade Settlement. Due Payable. Amount Definition: A monetary value that is an exact amount due and payable for this CIIH supply chain trade settlement, such as the amount due to the creditor. BRS Mapping INV INV0053 0..1 Total to be paid amount
0 .. 1	BBIE CIIH_Supply Chain_Trade Settlement. Creditor Reference. Identifier Definition: The unique identifier of the creditor reference for this CIIH supply chain trade settlement, such as a specific identifier assigned by the creditor to reference the financial transaction. BRS Mapping INV INV0263 0..1 Creditor Reference
0 .. unbounded	BBIE CIIH_Supply Chain_Trade Settlement. Payment Reference. Text Definition: A payment reference, expressed as text, for this CIIH supply chain trade settlement. BRS Mapping CSC PYM0006 0..1 Payment reference
0 .. 1	BBIE CIIH_Supply Chain_Trade Settlement. Tax_Currency. Code Definition: The code specifying the tax currency for this CIIH supply chain trade settlement.
0 .. 1	BBIE CIIH_Supply Chain_Trade Settlement. Invoice_Currency. Code Definition: The code specifying the invoice currency for this CIIH supply chain trade settlement.
0 .. 1	BBIE CIIH_Supply Chain_Trade Settlement. Payment_Currency. Code Definition: The code specifying the payment currency for this CIIH supply chain trade settlement.
0 .. unbounded	BBIE CIIH_Supply Chain_Trade Settlement. Creditor Reference Type. Code Definition: A code specifying the creditor reference type for this CIIH supply chain trade settlement. BRS Mapping INV INV0270 0..* Reconciliation Creditor Reference Type Code
0 .. unbounded	BBIE CIIH_Supply Chain_Trade Settlement. Creditor Reference Type. Text Definition: A creditor reference type, expressed as text, for this CIIH supply chain trade settlement. BRS Mapping INV INV0271 0..* Reconciliation Creditor Reference Type Text
0 .. unbounded	BBIE CIIH_Supply Chain_Trade Settlement. Creditor Reference Issuer. Identifier Definition: An identifier of the creditor reference issuer for this CIIH supply chain trade settlement. BRS Mapping INV INV0272 0..* Reconciliation Creditor Reference Issuer ID
0 .. 1	ASBIE CIIH_Supply Chain_Trade Settlement. Invoicer. CI_Trade_Party Definition: The Cross Industry (CI) trade party issuing the invoice for this CIIH supply chain trade settlement. BRS Mapping INV INV0071 0..1 Invoicer Party
0 .. 1	ASBIE CIIH_Supply Chain_Trade Settlement. Invoicee. CI_Trade_Party Definition: The Cross Industry (CI) trade party to whom an invoice is issued for this CIIH supply chain trade settlement. BRS Mapping INV INV0072 0..1 Invoicee Party
0 .. 1	ASBIE CIIH_Supply Chain_Trade Settlement. Payee. CI_Trade_Party Definition: The Cross Industry (CI) payee party for this CIIH supply chain trade settlement. BRS Mapping INV INV0074 0..1 Payee Party
0 .. 1	ASBIE CIIH_Supply Chain_Trade Settlement. Payer. CI_Trade_Party Definition: The Cross Industry (CI) payer party for this CIIH supply chain trade settlement. BRS Mapping INV INV0073 0..1 Payer Party
0 .. 1	ASBIE CIIH_Supply Chain_Trade Settlement. Tax_Applicable. CI_Trade_Currency Exchange Definition: The Cross Industry (CI) trade currency exchange applicable to a tax in this CIIH supply chain trade settlement. BRS Mapping INV INV0109 0..1 Tax currency
0 .. 1	ASBIE CIIH_Supply Chain_Trade Settlement. Invoice_Applicable. CI_Trade_Currency Exchange Definition: The Cross Industry (CI) trade currency exchange applicable to the invoice in this CIIH supply chain trade settlement. BRS Mapping INV INV0108 0..1 Invoice currency
0 .. 1	ASBIE CIIH_Supply Chain_Trade Settlement. Payment_Applicable. CI_Trade_Currency Exchange Definition: The Cross Industry (CI) trade currency exchange applicable to the payment of this CIIH supply chain trade settlement. BRS Mapping INV INV0110 0..1 Payment currency
0 .. unbounded	ASBIE CIIH_Supply Chain_Trade Settlement. Specified. CI_Trade Settlement_Payment Means Definition: A Cross Industry (CI) trade settlement payment means specified for this CIIH supply chain trade settlement. BRS Mapping INV INV0103 0..* Payment means

Occurrence	Element/Attribute
0 .. unbounded	ASBIE CIIH_Supply Chain_Trade Settlement. Applicable. CI_Trade_Tax Definition: A Cross Industry (CI) trade tax applicable to this CIIH supply chain trade settlement. BRS Mapping INV INV0083 0.* Applicable Tax
0 .. 1	ASBIE CIIH_Supply Chain_Trade Settlement. Billing. CI_Specified_Period Definition: The Cross Industry (CI) billing period specified for this CIIH supply chain trade settlement. BRS Mapping INV INV0070 0..1 Billing Period
0 .. unbounded	ASBIE CIIH_Supply Chain_Trade Settlement. Specified. CI_Trade_Allowance Charge Definition: A Cross Industry (CI) trade allowance or charge specified for this CIIH supply chain trade settlement. BRS Mapping INV INV0105 0.* Allowance and/or charge rate - not yet mapped to workbase, D09A BRS Mapping INV INV0106 0.* Allowance and/or charge rate basis - not yet mapped to workbase, D09A BRS Mapping INV INV0104 0.* Allowance and/or charge details
0 .. unbounded	ASBIE CIIH_Supply Chain_Trade Settlement. Subtotal_Calculated. CI_Trade_Tax Definition: A Cross Industry (CI) trade tax subtotal calculated for this CIIH supply chain trade settlement. BRS Mapping INV INV0256 0.* Calculated Tax BRS Mapping INV INV0092 0.* Total of all line items per tax rate - not yet mapped to workbase, D09A BRS Mapping INV INV0091 0.* Total allowances/charges per tax rate - not yet mapped to workbase, D09A BRS Mapping INV INV0090 0.* Tax amount per rate in VAT currency - not yet mapped to workbase, D09A
0 .. unbounded	ASBIE CIIH_Supply Chain_Trade Settlement. Specified. CI_Logistics_Service Charge Definition: A Cross Industry (CI) logistics service charge specified for this CIIH supply chain trade settlement. BRS Mapping INV INV0107 0.* Freight charge
0 .. unbounded	ASBIE CIIH_Supply Chain_Trade Settlement. Specified. CI_Trade_Payment Terms Definition: Cross Industry (CI) trade payment terms specified for this CIIH supply chain trade settlement. BRS Mapping INV INV0258 0..1 Payment Terms BRS Mapping INV INV0095 0.* Payment Terms due period after specified date - not yet mapped to workbase, D09A BRS Mapping INV INV0096 0.* Specified date for payment terms - not yet mapped to workbase, D09A BRS Mapping INV INV0097 0.* Payment terms discount due date - not yet mapped to workbase, D09A
0 .. 1	BBIE CI_Trade_Payment Terms. Identification. Identifier Definition: The unique identifier of these CI trade payment terms. BRS Mapping CSC PYT0001 0..1 Payment Terms Identification
0 .. 1	BBIE CI_Trade_Payment Terms. From Event. Code Definition: The code specifying the event from which these CI trade payment terms apply. BRS Mapping CSC PYT0002 0..1 Payment Terms time reference code
0 .. 1	BBIE CI_Trade_Payment Terms. Settlement Period. Measure Definition: The measure of the settlement period for these CI trade payment terms. BRS Mapping CSC PYT0003 0..1 Payment Terms number of periods
0 .. unbounded	BBIE CI_Trade_Payment Terms. Description. Text Definition: A textual description of these CI trade payment terms. BRS Mapping CSC PYT0004 0.* Payment Terms Note - Workbase is only 0..1
0 .. 1	BBIE CI_Trade_Payment Terms. Due Date. Date Time Definition: The date, time, date time, or other date time value of the due date specified by these CI trade payment terms. BRS Mapping CSC PYT0005 1..1 Payment Terms Due Date
0 .. 1	BBIE CI_Trade_Payment Terms. Instruction_Type. Code Definition: The code specifying the type of instruction for these CI trade payment terms. BRS Mapping CSC PYT0006 0..1 Payment Terms Instruction ID
0 .. unbounded	BBIE CI_Trade_Payment Terms. Payment Means_ Identification. Identifier Definition: An identifier of the payment means in these CI trade payment terms. BRS Mapping CSC PYT0018 0.* Payment Means ID
0 .. 1	BBIE CI_Trade_Payment Terms. Partial Payment. Percent Definition: The partial payment, expressed as a percentage, in these CI trade payment terms. BRS Mapping CSC PYT0017 0..1 Payment Terms Percentage

Occurrence	Element/Attribute
0 .. unbounded	<p>BBIE CI_Trade_Payment Terms. Direct Debit Mandate_ Identification. Identifier Definition: An identifier of a direct debit mandate in these CI trade payment terms. BRS Mapping INV INV0273 0.* Direct Debit Mandate ID</p>
0 .. 1	<p>ASBIE CIIH_Supply Chain Trade Settlement. Specified. CIIH Trade Settlement Monetary Summation Definition: The CIIH trade settlement monetary summation specified for this CIIH supply chain trade settlement.</p>
0 .. unbounded	<p>ASBIE CIIH_Supply Chain Trade Settlement. Specified. CI Financial Adjustment Definition: A Cross Industry (CI) financial adjustment specified for this CIIH supply chain trade settlement. BRS Mapping INV INV0067 0.* Adjustment</p>
0 .. 1	<p>ASBIE CIIH_Supply Chain Trade Settlement. Invoice Referenced. CI Referenced Document Definition: The Cross Industry (CI) invoice document referenced from this CIIH supply chain trade settlement. BRS Mapping INV INV0079 0.1 Invoice Document</p>
0 .. 1	<p>ASBIE CIIH_Supply Chain Trade Settlement. Pro-Forma Invoice Referenced. CI Referenced Document Definition: The Cross Industry (CI) pro-forma invoice document referenced from this CIIH supply chain trade settlement. BRS Mapping INV INV0080 0.1 Pro-forma Invoice Document</p>
0 .. 1	<p>ASBIE CIIH_Supply Chain Trade Settlement. Letter Of Credit Referenced. CI Referenced Document Definition: The Cross Industry (CI) letter of credit document referenced from this CIIH supply chain trade settlement. BRS Mapping INV INV0081 0.1 Letter of Credit reference</p>
0 .. unbounded	<p>ASBIE CIIH_Supply Chain Trade Settlement. Specified. Trade Settlement Financial Card Definition: A financial card specified in this CIIH supply chain trade settlement. BRS Mapping INV INV0293 0.* Financial Card</p>
0 .. unbounded	<p>ASBIE CIIH_Supply Chain Trade Settlement. Payable Specified. CI Trade Accounting Account Definition: A payable Cross Industry (CI) accounting account specified for this CIIH supply chain trade settlement. BRS Mapping INV INV0272 0.* Payable Account</p>
0 .. unbounded	<p>ASBIE CIIH_Supply Chain Trade Settlement. Receivable Specified. CI Trade Accounting Account Definition: A receivable Cross Industry (CI) accounting account specified for this CIIH supply chain trade settlement. BRS Mapping INV INV0273 0.* Receivable Account</p>
0 .. unbounded	<p>ASBIE CIIH_Supply Chain Trade Settlement. Purchase Specified. CI Trade Accounting Account Definition: A purchase Cross Industry (CI) accounting account specified for this CIIH supply chain trade settlement. BRS Mapping INV INV0274 0.* Purchase Account</p>
0 .. unbounded	<p>ASBIE CIIH_Supply Chain Trade Settlement. Sales Specified. CI Trade Accounting Account Definition: A sales Cross Industry (CI) accounting account specified for this CIIH supply chain trade settlement. BRS Mapping INV INV0275 0.* Sales Account</p>
0 .. unbounded	<p>ASBIE CIIH_Supply Chain Trade Settlement. Factoring Agreement Referenced. CI Referenced Document Definition: A factoring agreement Cross Industry (CI) document referenced in this CIIH supply chain trade settlement. BRS Mapping INV INV0281 0.* Factoring Agreement Reference</p>
0 .. unbounded	<p>ASBIE CIIH_Supply Chain Trade Settlement. Factoring List Referenced. CI Referenced Document Definition: A factoring list Cross Industry (CI) document referenced in this CIIH supply chain trade settlement. BRS Mapping INV INV0282 0.* Factoring List</p>

Occurrence	Element/Attribute
	ABIE CIIH_Supply Chain_Trade Transaction. Details
1 .. 1	ASBIE CIIH_Supply Chain_Trade Transaction. Applicable. CIIH_Supply Chain_Trade Agreement Definition: The CIIH supply chain trade agreement applicable to this CIIH supply chain trade transaction.
1 .. 1	ASBIE CIIH_Supply Chain_Trade Transaction. Applicable. CIIH_Supply Chain_Trade Delivery Definition: The CIIH supply chain trade delivery applicable to this CIIH supply chain trade transaction.
1 .. 1	ASBIE CIIH_Supply Chain_Trade Transaction. Applicable. CIIH_Supply Chain_Trade Settlement Definition: The CIIH supply chain trade settlement applicable to this CIIH supply chain trade transaction.
0 .. unbounded	ASBIE CIIH_Supply Chain_Trade Transaction. Included. CIIL_Supply Chain_Trade Line Item Definition: A Cross Industry Invoice Line (CIIL) supply chain trade line item included in this CIIH supply chain trade transaction.

Occurrence	Element/Attribute
	ABIE CIIH_ Trade Settlement_ Monetary Summation. Details
0 .. unbounded	BBIE CIIH_ Trade Settlement_ Monetary Summation. Line Total. Amount Definition: A monetary value of the line amount total being reported in this CIIH trade settlement monetary summation. BRS Mapping INV INV0058 0..* Total line items amount
0 .. unbounded	BBIE CIIH_ Trade Settlement_ Monetary Summation. Charge Total. Amount Definition: A monetary value of the total of all charge amounts being reported in this CIIH trade settlement monetary summation. BRS Mapping INV INV0253 0..* Total charges amount
0 .. unbounded	BBIE CIIH_ Trade Settlement_ Monetary Summation. Allowance Total. Amount Definition: A monetary value of the total of all allowance amounts being reported in this CIIH trade settlement monetary summation. BRS Mapping INV INV0252 0..* Total allowances amount
0 .. unbounded	BBIE CIIH_ Trade Settlement_ Monetary Summation. Tax Basis Total. Amount Definition: A monetary value of the total of all tax basis amounts being reported in this CIIH trade settlement monetary summation. BRS Mapping INV INV0062 0..* Total tax basis amount
0 .. unbounded	BBIE CIIH_ Trade Settlement_ Monetary Summation. Tax Total. Amount Definition: A monetary value of the total of all tax amounts being reported in this CIIH trade settlement monetary summation. BRS Mapping INV INV0061 0..* Total tax amount
0 .. unbounded	BBIE CIIH_ Trade Settlement_ Monetary Summation. Rounding. Amount Definition: A monetary value of a rounding amount being applied in this CIIH trade settlement monetary summation. BRS Mapping INV INV0063 0..* Total rounding amount
0 .. unbounded	BBIE CIIH_ Trade Settlement_ Monetary Summation. Grand Total. Amount Definition: A monetary value of the grand total of this CIIH trade settlement monetary summation, to include addition and subtraction of individual summation amounts. BRS Mapping INV INV0060 0..* Total amount
0 .. unbounded	BBIE CIIH_ Trade Settlement_ Monetary Summation. Information. Amount Definition: A monetary value of an amount being reported for information in this CIIH trade settlement monetary summation. BRS Mapping INV INV0064 0..* Total information amount
0 .. unbounded	BBIE CIIH_ Trade Settlement_ Monetary Summation. Total Prepaid. Amount Definition: A monetary value of a prepaid total reported in this CIIH trade settlement monetary summation. BRS Mapping INV INV0056 0..* Total prepaid amount
0 .. unbounded	BBIE CIIH_ Trade Settlement_ Monetary Summation. Total Discount. Amount Definition: A monetary value of a total discount reported in this CIIH trade settlement monetary summation.
0 .. unbounded	BBIE CIIH_ Trade Settlement_ Monetary Summation. Total Allowance Charge. Amount Definition: A monetary value of a total allowance and charge reported in this CIIH trade settlement monetary summation. BRS Mapping INV INV0059 0..1 Total allowances charges amount

Occurrence	Element/Attribute
	ABIE CIIL_ Document Line_ Document. Details
0 .. 1	BBIE CIIL_ Document Line_ Document. Line. Identifier Definition: The unique identifier of the line of this CIIL document line. BRS Mapping INV INV0112 0..1 Invoice Line Number
0 .. 1	BBIE CIIL_ Document Line_ Document. Line Status. Code Definition: The code specifying the line status of this CIIL document line. BRS Mapping INV INV0113 0..1 Invoice Line status code
0 .. 1	BBIE CIIL_ Document Line_ Document. Line Status Reason. Code Definition: The code specifying the line status reason for this CIIL document line. BRS Mapping INV INV0114 0..1 Invoice Line status reason code
0 .. unbounded	ASBIE CIIL_ Document Line_ Document. Included. CI_ Note Definition: A Cross Industry (CI) note included in this CIIL document line. BRS Mapping INV INV0115 0.* Invoice Line note

Occurrence	Element/Attribute
	ABIE CIIL_Supply Chain_Trade Agreement_Details
0 .. 1	ASBIE CIIL_Supply Chain_Trade Agreement_Applicable_CI_Trade_Delivery Terms Definition: The Cross Industry (CI) terms of delivery applicable to a line item in this CIIL supply chain trade agreement. BRS Mapping INV INV0126 0..1 Delivery Terms
0 .. 1	ASBIE CIIL_Supply Chain_Trade Agreement_Seller Order_Referenced_CI_Referenced_Document Definition: The Cross Industry (CI) seller order document referenced from a line item in this CIIL supply chain trade agreement. BRS Mapping INV INV0117 0..1 Seller Order Document
0 .. 1	ASBIE CIIL_Supply Chain_Trade Agreement_Buyer Order_Referenced_CI_Referenced_Document Definition: The Cross Industry (CI) buyer order document referenced from a line item in this CIIL supply chain trade agreement. BRS Mapping INV INV0118 0..1 Buyer Order Document
0 .. 1	ASBIE CIIL_Supply Chain_Trade Agreement_Quotation_Referenced_CI_Referenced_Document Definition: The Cross Industry (CI) quotation document referenced from a line item in this CIIL supply chain trade agreement. BRS Mapping INV INV0119 0..1 Quotation Document
0 .. 1	ASBIE CIIL_Supply Chain_Trade Agreement_Contract_Referenced_CI_Referenced_Document Definition: The Cross Industry (CI) contract document referenced from a line item in this CIIL supply chain trade agreement. BRS Mapping INV INV0120 0..1 Contract Document
0 .. 1	ASBIE CIIL_Supply Chain_Trade Agreement_Demand Forecast_Referenced_CI_Referenced_Document Definition: The Cross Industry (CI) demand forecast document referenced from a line item this CIIL supply chain trade agreement. BRS Mapping INV INV0121 0..1 Demand Forecast Document
0 .. unbounded	ASBIE CIIL_Supply Chain_Trade Agreement_Additional_Referenced_CI_Referenced_Document Definition: An additional Cross Industry (CI) document referenced from a line item in this CIIL supply chain trade agreement. BRS Mapping INV INV0124 0..1 End consumer order number (renamed from Ultimate Consignee order number) BRS Mapping INV INV0125 0..1 End consumer order number BRS Mapping INV INV0127 0..1 Purchase Conditions
0 .. 1	ASBIE CIIL_Supply Chain_Trade Agreement_Gross Price_Product_CI_Trade_Price Definition: The Cross Industry (CI) gross product price in this CIIL supply chain trade agreement. BRS Mapping INV INV0128 0.* Price details for gross price
0 .. 1	ASBIE CIIL_Supply Chain_Trade Agreement_Net Price_Product_CI_Trade_Price Definition: The Cross Industry (CI) net product price in this CIIL supply chain trade agreement. BRS Mapping INV INV0129 0.* Price details for net price
0 .. unbounded	ASBIE CIIL_Supply Chain_Trade Agreement_Buyer_Requisitioner_CI_Trade_Party Definition: A Cross Industry (CI) trade party who is a buyer requisitioner in this CIIL supply chain trade agreement.
0 .. unbounded	ASBIE CIIL_Supply Chain_Trade Agreement_Requisitioner_Referenced_CI_Referenced_Document Definition: A requisitioner Cross Industry (CI) document referenced in this CIIL supply chain trade agreement.

Occurrence	Element/Attribute
	ABIE CIIL_ Supply Chain_ Trade Delivery. Details
0 .. 1	BBIE CIIL_ Supply Chain_ Trade Delivery. Billed. Quantity Definition: The quantity billed for a line item in this CIIL supply chain trade delivery. BRS Mapping INV INV0135 0..1 Billed Quantity
0 .. 1	BBIE CIIL_ Supply Chain_ Trade Delivery. Charge Free. Quantity Definition: The quantity that is free of charge for a line item in this CIIL supply chain trade delivery. BRS Mapping INV INV0133 0..1 Free Goods Quantity
0 .. 1	BBIE CIIL_ Supply Chain_ Trade Delivery. Package. Quantity Definition: The number of packages of a line item in this CIIL supply chain trade delivery. BRS Mapping INV INV0150 0..1 Number of Packages
0 .. 1	BBIE CIIL_ Supply Chain_ Trade Delivery. Product_ Unit. Quantity Definition: The number of product units of a line item in this CIIL supply chain trade delivery. BRS Mapping INV INV0140 0..1 Number of consumer units in the traded unit
0 .. 1	BBIE CIIL_ Supply Chain_ Trade Delivery. Per Package_ Unit. Quantity Definition: The number of units per package in this line item in this CIIL supply chain trade delivery. BRS Mapping INV INV0139 0..1 Quantity per pack BRS Mapping INV INV0141 0..1 Number of units in higher packaging or configuration level
0 .. 1	BBIE CIIL_ Supply Chain_ Trade Delivery. Net Weight. Measure Definition: The measure of the net weight (mass) of a line item in this CIIL supply chain trade delivery. BRS Mapping INV INV0145 0..1 Net Weight
0 .. 1	BBIE CIIL_ Supply Chain_ Trade Delivery. Gross Weight. Measure Definition: The measure of the gross weight (mass) of a line item in this CIIL supply chain trade delivery. BRS Mapping INV INV0144 0..1 Gross Weight
0 .. 1	BBIE CIIL_ Supply Chain_ Trade Delivery. Theoretical Weight. Measure Definition: The measure of the theoretical weight of a line item in this CIIL supply chain trade delivery. BRS Mapping INV INV0146 0..1 Theoretical Weight
0 .. unbounded	ASBIE CIIL_ Supply Chain_ Trade Delivery. Specified. CI_ Delivery_ Adjustment Definition: A Cross Industry (CI) delivery adjustment specified for a line item in this CIIL supply chain trade delivery. BRS Mapping INV INV0143 0..1 Delivery Adjustment
0 .. unbounded	ASBIE CIIL_ Supply Chain_ Trade Delivery. Included. CI_ Supply Chain_ Packaging Definition: Cross Industry (CI) supply chain packaging for a line item included in this CIIL supply chain trade delivery.
0 .. 1	ASBIE CIIL_ Supply Chain_ Trade Delivery. Related. CI_ Supply Chain_ Consignment Definition: The Cross Industry (CI) supply chain consignment of a line item related to this CIIL supply chain trade delivery.
0 .. 1	ASBIE CIIL_ Supply Chain_ Trade Delivery. Ship To. CI_ Trade_ Party Definition: The Cross Industry (CI) trade party who is the ship to party for a line item in this CIIL supply chain trade delivery. BRS Mapping INV INV0159 0..1 Ship To party
0 .. 1	ASBIE CIIL_ Supply Chain_ Trade Delivery. Ultimate_ Ship To. CI_ Trade_ Party Definition: The Cross Industry (CI) trade party who is the ultimate ship to party for a line item in this CIIL supply chain trade delivery. BRS Mapping INV INV0163 0..1 Ultimate Consignee party BRS Mapping INV INV0164 0..1 Ultimate Customer
0 .. 1	ASBIE CIIL_ Supply Chain_ Trade Delivery. Ship From. CI_ Trade_ Party Definition: The Cross Industry (CI) trade party who is the ship from party for a line item in this CIIL supply chain trade delivery.
0 .. 1	ASBIE CIIL_ Supply Chain_ Trade Delivery. Actual_ Despatch. CI_ Supply Chain_ Event Definition: The Cross Industry (CI) actual supply chain despatch event for a line item in this CIIL supply chain trade delivery.
0 .. 1	ASBIE CIIL_ Supply Chain_ Trade Delivery. Actual_ Pick-Up. CI_ Supply Chain_ Event Definition: The Cross Industry (CI) actual supply chain pick-up event for a line item in this CIIL supply chain trade delivery.
0 .. 1	ASBIE CIIL_ Supply Chain_ Trade Delivery. Requested_ Delivery. CI_ Supply Chain_ Event Definition: The Cross Industry (CI) requested supply chain delivery event for a line item in this CIIL supply chain trade delivery.

Occurrence	Element/Attribute
0 .. 1	<p>ASBIE CIIIL_Supply Chain Trade Delivery. Actual_Delivery. CI_Supply Chain_Event</p> <p>Definition: The Cross Industry (CI) actual supply chain delivery event for a line item in this CIIIL supply chain trade delivery.</p>
0 .. 1	<p>ASBIE CIIIL_Supply Chain Trade Delivery. Actual_Receipt. CI_Supply Chain_Event</p> <p>Definition: The Cross Industry (CI) actual supply chain receipt event for a line item in this CIIIL supply chain trade delivery.</p>
0 .. 1	<p>ASBIE CIIIL_Supply Chain Trade Delivery. Despatch Advice_Referenced. CI_Referenced_Document</p> <p>Definition: The Cross Industry (CI) despatch advice document referenced from this CIIIL supply chain trade delivery.</p>
0 .. 1	<p>ASBIE CIIIL_Supply Chain Trade Delivery. Receiving Advice_Referenced. CI_Referenced_Document</p> <p>Definition: The Cross Industry (CI) receiving advice document referenced from this CIIIL supply chain trade delivery.</p>
0 .. 1	<p>ASBIE CIIIL_Supply Chain Trade Delivery. Delivery Note_Referenced. CI_Referenced_Document</p> <p>Definition: The Cross Industry (CI) delivery note document referenced from this CIIIL supply chain trade delivery.</p>
0 .. unbounded	<p>ASBIE CIIIL_Supply Chain Trade Delivery. Additional_Referenced. CI_Referenced_Document</p> <p>Definition: A Cross Industry (CI) additional document referenced from this CIIIL supply chain trade delivery.</p>

Occurrence	Element/Attribute
	ABIE CIIL_Supply Chain_Trade Line Item. Details
1 .. 1	ASBIE CIIL_Supply Chain_Trade Line Item. Associated. CIIL_Document Line_Document Definition: The document line associated with this CIIL supply chain trade line item.
0 .. 1	ASBIE CIIL_Supply Chain_Trade Line Item. Specified. CIIL_Supply Chain_Trade Agreement Definition: The CIIL supply chain trade agreement specified for this CIIL supply chain trade line item.
0 .. 1	ASBIE CIIL_Supply Chain_Trade Line Item. Specified. CIIL_Supply Chain_Trade Delivery Definition: The CIIL supply chain trade delivery specified for this CIIL supply chain trade line item.
1 .. 1	ASBIE CIIL_Supply Chain_Trade Line Item. Specified. CIIL_Supply Chain_Trade Settlement Definition: The CIIL supply chain trade settlement specified for this CIIL supply chain trade line item.
0 .. 1	ASBIE CIIL_Supply Chain_Trade Line Item. Specified. CI_Trade_Product Definition: The Cross Industry (CI) trade product specified for this CIIL supply chain trade line item.

Occurrence	Element/Attribute
	ABIE CIIIL_Supply Chain_Trade Settlement. Details
0 .. unbounded	BBIE CIIIL_Supply Chain_Trade Settlement. Payment Reference. Text Definition: A payment reference, expressed as text, for this CIIIL supply chain trade settlement. BRS Mapping CSC PYM0006 0..1 Payment reference
0 .. unbounded	ASBIE CIIIL_Supply Chain_Trade Settlement. Applicable. CI_Trade_Tax Definition: A Cross Industry (CI) tax applicable to this CIIIL supply chain trade settlement.
0 .. 1	ASBIE CIIIL_Supply Chain_Trade Settlement. Billing. CI_Specified_Period Definition: The Cross Industry (CI) billing period specified for this CIIIL supply chain trade settlement.
0 .. unbounded	ASBIE CIIIL_Supply Chain_Trade Settlement. Specified. CI_Trade_Allowance Charge Definition: A Cross Industry (CI) allowance or charge specified for this CIIIL supply chain trade settlement. BRS Mapping INV INV0196 0.* Allowance and/or charge details
0 .. unbounded	ASBIE CIIIL_Supply Chain_Trade Settlement. Subtotal_Calculated. CI_Trade_Tax Definition: A Cross Industry (CI) tax subtotal calculated for this CIIIL supply chain trade settlement. BRS Mapping INV INV0259 0.* Calculated Tax
0 .. unbounded	ASBIE CIIIL_Supply Chain_Trade Settlement. Specified. CI_Logistics_Service Charge Definition: A Cross Industry (CI) logistics service charge specified for this CIIIL supply chain trade settlement. BRS Mapping INV INV0156 0..1 Transport charge amount BRS Mapping INV INV0157 0..1 Taxable transport charge amount - not yet mapped, D09A BRS Mapping INV INV0158 0..1 Insurance charge amount - not yet mapped, D09A - is this a freight charge or Consignment Amount? BRS Mapping INV INV0199 0.* Freight Charge
0 .. unbounded	ASBIE CIIIL_Supply Chain_Trade Settlement. Specified. CI_Trade_Payment Terms Definition: Cross Industry (CI) payment terms specified for this CIIIL supply chain trade settlement. BRS Mapping INV INV0255 0.* Payment Terms
0 .. 1	BBIE CI_Trade_Payment Terms. Identification. Identifier Definition: The unique identifier of these CI trade payment terms. BRS Mapping CSC PYT0001 0..1 Payment Terms Identification
0 .. 1	BBIE CI_Trade_Payment Terms. From Event. Code Definition: The code specifying the event from which these CI trade payment terms apply. BRS Mapping CSC PYT0002 0..1 Payment Terms time reference code
0 .. 1	BBIE CI_Trade_Payment Terms. Settlement Period. Measure Definition: The measure of the settlement period for these CI trade payment terms. BRS Mapping CSC PYT0003 0..1 Payment Terms number of periods
0 .. unbounded	BBIE CI_Trade_Payment Terms. Description. Text Definition: A textual description of these CI trade payment terms. BRS Mapping CSC PYT0004 0.* Payment Terms Note - Workbase is only 0..1
0 .. 1	BBIE CI_Trade_Payment Terms. Due Date. Date Time Definition: The date, time, date time, or other date time value of the due date specified by these CI trade payment terms. BRS Mapping CSC PYT0005 1..1 Payment Terms Due Date
0 .. 1	BBIE CI_Trade_Payment Terms. Instruction_Type. Code Definition: The code specifying the type of instruction for these CI trade payment terms. BRS Mapping CSC PYT0006 0..1 Payment Terms Instruction ID
0 .. unbounded	BBIE CI_Trade_Payment Terms. Payment Means_ Identification. Identifier Definition: An identifier of the payment means in these CI trade payment terms. BRS Mapping CSC PYT0018 0.* Payment Means ID
0 .. 1	BBIE CI_Trade_Payment Terms. Partial Payment. Percent Definition: The partial payment, expressed as a percentage, in these CI trade payment terms. BRS Mapping CSC PYT0017 0..1 Payment Terms Percentage
0 .. unbounded	BBIE CI_Trade_Payment Terms. Direct Debit Mandate_ Identification. Identifier Definition: An identifier of a direct debit mandate in these CI trade payment terms. BRS Mapping INV INV0274 0.* Direct Debit Mandate ID
0 .. 1	ASBIE CIIIL_Supply Chain_Trade Settlement. Specified. CIIIL_Trade Settlement_Monetary Summation Definition: The CIIIL trade settlement monetary summation specified for this CIIIL supply chain trade settlement.

Occurrence	Element/Attribute
0 .. unbounded	ASBIE CIIIL_Supply Chain Trade Settlement. Specified. CI Financial Adjustment Definition: A Cross Industry (CI) financial adjustment specified for this CIIIL supply chain trade settlement.
0 .. 1	ASBIE CIIIL_Supply Chain Trade Settlement. Invoice_ Referenced. CI_ Referenced_ Document Definition: The Cross Industry (CI) invoice document referenced from this CIIIL supply chain trade settlement.
	BRS Mapping INV INV0180 0..1 Invoice document
0 .. unbounded	ASBIE CIIIL_Supply Chain Trade Settlement. Additional_ Referenced. CI_ Referenced_ Document Definition: An additional Cross Industry (CI) document referenced from this CIIIL supply chain trade settlement.
0 .. 1	ASBIE CIIIL_Supply Chain Trade Settlement. Specified. Trade Settlement_ Financial Card Definition: The financial card specified in this CIIIL supply chain trade settlement.
	BRS Mapping INV INV0294 0.* Financial Card
0 .. unbounded	ASBIE CIIIL_Supply Chain Trade Settlement. Payable_ Specified. CI_ Trade_ Accounting Account Definition: A payable Cross Industry (CI) accounting account specified for this CIIIL supply chain trade settlement.
	BRS Mapping INV INV0276 0.* Payable Account
0 .. unbounded	ASBIE CIIIL_Supply Chain Trade Settlement. Receivable_ Specified. CI_ Trade_ Accounting Account Definition: A receivable Cross Industry (CI) accounting account specified for this CIIIL supply chain trade settlement.
	BRS Mapping INV INV0277 0.* Receivable Account
0 .. unbounded	ASBIE CIIIL_Supply Chain Trade Settlement. Purchase_ Specified. CI_ Trade_ Accounting Account Definition: A purchase Cross Industry (CI) accounting account specified for this CIIIL supply chain trade settlement.
	BRS Mapping INV INV0278 0.* Purchase Account
0 .. unbounded	ASBIE CIIIL_Supply Chain Trade Settlement. Sales_ Specified. CI_ Trade_ Accounting Account Definition: A sales Cross Industry (CI) accounting account specified for this CIIIL supply chain trade settlement.
	BRS Mapping INV INV0279 0.* Sales Account

Occurrence	Element/Attribute
	ABIE CIIL_Trade Settlement_Monetary Summation. Details
0 .. unbounded	BBIE CIIL_Trade Settlement_Monetary Summation. Line Total. Amount Definition: A monetary value of the line amount total being reported in this CIIL trade settlement monetary summation. BRS Mapping INV INV0175 0..1 Invoice line item amount - not yet mapped, D09A?
0 .. unbounded	BBIE CIIL_Trade Settlement_Monetary Summation. Charge Total. Amount Definition: A monetary value of the total of all charge amounts being reported in this CIIL trade settlement monetary summation.
0 .. unbounded	BBIE CIIL_Trade Settlement_Monetary Summation. Allowance Total. Amount Definition: A monetary value of the total of all allowance amounts being reported in this CIIL trade settlement monetary summation.
0 .. unbounded	BBIE CIIL_Trade Settlement_Monetary Summation. Tax Basis Total. Amount Definition: A monetary value of the total of all tax basis amounts being reported in this CIIL trade settlement monetary summation. BRS Mapping INV INV0200 0.* Total tax basis amount of the line item
0 .. unbounded	BBIE CIIL_Trade Settlement_Monetary Summation. Tax Total. Amount Definition: A monetary value of the total of all tax amounts being reported in this CIIL trade settlement monetary summation. BRS Mapping INV INV0201 0.* Tax line total amount of the line item of the line item
0 .. unbounded	BBIE CIIL_Trade Settlement_Monetary Summation. Information. Amount Definition: A monetary value of an amount being reported for information in this CIIL trade settlement monetary summation.
0 .. unbounded	BBIE CIIL_Trade Settlement_Monetary Summation. Total Allowance Charge. Amount Definition: A monetary value of a total allowance and charge reported in this CIIL trade settlement monetary summation.

Occurrence	Element/Attribute
	<p>ABIE CI_Creditor_Financial Account. Details</p>
0 .. 1	<p>—BBIE CI_Creditor_Financial Account. IBAN_ Identification. Identifier Definition: The unique International Bank Account Number (IBAN) identifier for this CI creditor financial account.</p>
	<p>BRS Mapping CSC FAC0001 0..1 IBAN number</p>
0 .. 1	<p>—BBIE CI_Creditor_Financial Account. Account Name. Text Definition: The account name, expressed as text, of this CI creditor financial account.</p>
	<p>BRS Mapping CSC FAC0016 0..1 Name</p>
0 .. 1	<p>—BBIE CI_Creditor_Financial Account. Proprietary_ Identification. Identifier Definition: The unique proprietary identifier for this CI creditor financial account.</p>
	<p>BRS Mapping CSC FAC0010 0..1 Financial Account Proprietary Identification</p>

Occurrence	Element/Attribute
	ABIE CI_Creditor_Financial Institution. Details
0 .. 1	BBIE CI_Creditor_Financial Institution. BIC. Identifier Definition: The unique Bank Identification Code (BIC) as defined in ISO 9362 for this CI creditor financial institution. BRS Mapping CSC FIN0002 0..1 BIC identification
0 .. 1	BBIE CI_Creditor_Financial Institution. Clearing System Name. Text Definition: The clearing system name, expressed as text, for this CI creditor financial institution.
0 .. 1	BBIE CI_Creditor_Financial Institution. CHIPS Universal_ Identification. Identifier Definition: The unique (United States) Clearing House Interbank Payments System (CHIPS) Universal Identification (UID) as assigned by the New York Clearing House for this CI creditor financial institution. BRS Mapping CSC FIN0001 0..1 Alternative bank identification
0 .. 1	BBIE CI_Creditor_Financial Institution. New Zealand NCC_ Identification. Identifier Definition: The unique New Zealand National Clearing Code (NCC) identifier as assigned by the New Zealand Bankers' Association (NZBA) for this CI creditor financial institution. BRS Mapping CSC FIN0001 0..1 Alternative bank identification
0 .. 1	BBIE CI_Creditor_Financial Institution. Irish NSC_ Identification. Identifier Definition: The unique Irish National Sorting Code (NSC) identifier as assigned by the Irish Payments Services Organisation (IPSO) for this CI creditor financial institution. BRS Mapping CSC FIN0001 0..1 Alternative bank identification
0 .. 1	BBIE CI_Creditor_Financial Institution. UK Sort Code_ Identification. Identifier Definition: The unique United Kingdom (UK) Sort Code identifier as assigned by the UK Payment Association (APACS) for this CI creditor financial institution. BRS Mapping CSC FIN0001 0..1 Alternative bank identification
0 .. 1	BBIE CI_Creditor_Financial Institution. CHIPS Participant_ Identification. Identifier Definition: The unique (United States) Clearing House Interbank Payment System (CHIPS) Participant Identifier (ID) as assigned by the New York Clearing House for this CI creditor financial institution. BRS Mapping CSC FIN0001 0..1 Alternative bank identification
0 .. 1	BBIE CI_Creditor_Financial Institution. Swiss BC_ Identification. Identifier Definition: The unique Swiss Bank Code (BC) identifier for this CI creditor financial institution. BRS Mapping CSC FIN0001 0..1 Alternative bank identification
0 .. 1	BBIE CI_Creditor_Financial Institution. Fedwire Routing Number_ Identification. Identifier Definition: The unique Fedwire Routing Number identifier as assigned by the American Bankers Association (ABA) for this CI creditor financial institution. BRS Mapping CSC FIN0001 0..1 Alternative bank identification
0 .. 1	BBIE CI_Creditor_Financial Institution. Portuguese NCC_ Identification. Identifier Definition: The unique Portuguese National Clearing Code (NCC) identifier for this CI creditor financial institution. BRS Mapping CSC FIN0001 0..1 Alternative bank identification
0 .. 1	BBIE CI_Creditor_Financial Institution. Russian Central Bank_ Identification. Identifier Definition: The unique Russian Central Bank Identification Code identifier for this CI creditor financial institution. BRS Mapping CSC FIN0001 0..1 Alternative bank identification
0 .. 1	BBIE CI_Creditor_Financial Institution. Italian Domestic_ Identification. Identifier Definition: The unique Italian Domestic Identification Code identifier as assigned by the Associazione Bancaria Italiana (ABI) for this CI creditor financial institution. BRS Mapping CSC FIN0001 0..1 Alternative bank identification
0 .. 1	BBIE CI_Creditor_Financial Institution. Austrian Bankleitzahl_ Identification. Identifier Definition: The unique Austrian Bankleitzahl identifier for this CI creditor financial institution. BRS Mapping CSC FIN0001 0..1 Alternative bank identification
0 .. 1	BBIE CI_Creditor_Financial Institution. Canadian Payments Association_ Identification. Identifier Definition: The unique Canadian Payments Association Routing Number identifier for this CI creditor financial institution. BRS Mapping CSC FIN0001 0..1 Alternative bank identification
0 .. 1	BBIE CI_Creditor_Financial Institution. SIC_ Identification. Identifier Definition: The unique Swiss Interbank Clearing (SIC) Code identifier for this CI creditor financial institution. BRS Mapping CSC FIN0001 0..1 Alternative bank identification
0 .. 1	BBIE CI_Creditor_Financial Institution. German Bankleitzahl_ Identification. Identifier Definition: The unique German Bankleitzahl identifier for this CI creditor financial institution. BRS Mapping CSC FIN0001 0..1 Alternative bank identification

Occurrence	Element/Attribute
0 .. 1	BBIE CI_Creditor_Financial Institution. Spanish Domestic Interbanking_ Identification. Id Definition: The unique Spanish Domestic Interbanking Code identifier as assigned by the Centro de Cooperacion Interbancaria (CCI) for this CI creditor financial institution. BRS Mapping CSC FIN0001 0..1 Alternative bank identification
0 .. 1	BBIE CI_Creditor_Financial Institution. South African NCC_ Identification. Identifier Definition: The unique South African National Clearing Code (NCC) identifier as assigned by the South African Bankers Services Company Ltd. (BankServ) for this CI creditor financial institution. BRS Mapping CSC FIN0001 0..1 Alternative bank identification
0 .. 1	BBIE CI_Creditor_Financial Institution. Hong Kong Bank_ Identification. Identifier Definition: The unique Hong Kong Bank Code identifier for this CI creditor financial institution. BRS Mapping CSC FIN0001 0..1 Alternative bank identification
0 .. 1	BBIE CI_Creditor_Financial Institution. Australian BSB_ Identification. Identifier Definition: The unique Australian Bank State Branch (BSB) Code identifier as assigned by the Australian Payments Clearing Association (APCA) for this CI creditor financial institution. BRS Mapping CSC FIN0001 0..1 Alternative bank identification
0 .. 1	BBIE CI_Creditor_Financial Institution. Indian Financial System_ Identification. Identifier Definition: The unique Indian Financial System Code identifier for this CI creditor financial institution. BRS Mapping CSC FIN0001 0..1 Alternative bank identification
0 .. 1	BBIE CI_Creditor_Financial Institution. Hellenic Bank_ Identification. Identifier Definition: The unique Hellenic Bank Identification Code identifier for this CI creditor financial institution. BRS Mapping CSC FIN0001 0..1 Alternative bank identification
0 .. 1	BBIE CI_Creditor_Financial Institution. Polish National Clearing_ Identification. Identifier Definition: The unique Polish National Clearing Code identifier for this CI creditor financial institution. BRS Mapping CSC FIN0001 0..1 Alternative bank identification
0 .. 1	BBIE CI_Creditor_Financial Institution. Name. Text Definition: The name, expressed as text, for this CI creditor financial institution. BRS Mapping CSC FIN0003 0..1 Institution name
0 .. 1	ASBIE CI_Creditor_Financial Institution. Location. Financial Institution_ Address Definition: The location address for this CI creditor financial institution. BRS Mapping CSC FIN0004 0..1 Address - mapped to Financial Institution_ Address and not Trade_ Address
0 .. 1	ASBIE CI_Creditor_Financial Institution. Sub-Division. Branch_ Financial Institution Definition: The sub-division (branch) financial institution for this CI creditor financial institution. BRS Mapping CSC FIN0005 0..1 Financial Institution branch

Occurrence	Element/Attribute
	<p>ABIE CI_Debtor_Financial Account. Details</p>
0 .. 1	<p>—BBIE CI_Debtor_Financial Account. IBAN_ Identification. Identifier Definition: The unique International Bank Account Number (IBAN) identifier for this CI debtor financial account.</p>
	<p>BRS Mapping CSC FAC0001 0..1 IBAN number</p>
0 .. 1	<p>—BBIE CI_Debtor_Financial Account. Account Name. Text Definition: The account name, expressed as text, of this CI debtor financial account.</p>
	<p>BRS Mapping CSC FAC0016 0..1 Name</p>
0 .. 1	<p>—BBIE CI_Debtor_Financial Account. Proprietary_ Identification. Identifier Definition: The unique proprietary identifier for this CI debtor financial account.</p>
	<p>BRS Mapping CSC FAC0010 0..1 Financial Account Proprietary Identification</p>

Occurrence	Element/Attribute
	ABIE CI_Debtor_Financial Institution. Details
0 .. 1	BBIE CI_Debtor_Financial Institution. BIC. Identifier Definition: The unique Bank Identification Code (BIC) as defined in ISO 9362 for this CI debtor financial institution. BRS Mapping CSC FIN0002 0..1 BIC identification
0 .. 1	BBIE CI_Debtor_Financial Institution. Clearing System Name. Text Definition: The clearing system name, expressed as text, for this CI debtor financial institution.
0 .. 1	BBIE CI_Debtor_Financial Institution. CHIPS Universal_ Identification. Identifier Definition: The unique (United States) Clearing House Interbank Payments System (CHIPS) Universal Identification (UID) as assigned by the New York Clearing House for this CI debtor financial institution. BRS Mapping CSC FIN0001 0..1 Alternative bank identification
0 .. 1	BBIE CI_Debtor_Financial Institution. New Zealand NCC_ Identification. Identifier Definition: The unique New Zealand National Clearing Code (NCC) identifier as assigned by the New Zealand Bankers' Association (NZBA) for this CI debtor financial institution. BRS Mapping CSC FIN0001 0..1 Alternative bank identification
0 .. 1	BBIE CI_Debtor_Financial Institution. Irish NSC_ Identification. Identifier Definition: The unique Irish National Sorting Code (NSC) identifier as assigned by the Irish Payments Services Organisation (IPSO) for this CI debtor financial institution. BRS Mapping CSC FIN0001 0..1 Alternative bank identification
0 .. 1	BBIE CI_Debtor_Financial Institution. UK Sort Code_ Identification. Identifier Definition: The unique United Kingdom (UK) Sort Code identifier as assigned by the UK Payment Association (APACS) for this CI debtor financial institution. BRS Mapping CSC FIN0001 0..1 Alternative bank identification
0 .. 1	BBIE CI_Debtor_Financial Institution. CHIPS Participant_ Identification. Identifier Definition: The unique (United States) Clearing House Interbank Payment System (CHIPS) Participant Identifier (ID) as assigned by the New York Clearing House for this CI debtor financial institution. BRS Mapping CSC FIN0001 0..1 Alternative bank identification
0 .. 1	BBIE CI_Debtor_Financial Institution. Swiss BC_ Identification. Identifier Definition: The unique Swiss Bank Code (BC) identifier for this CI debtor financial institution. BRS Mapping CSC FIN0001 0..1 Alternative bank identification
0 .. 1	BBIE CI_Debtor_Financial Institution. Fedwire Routing Number_ Identification. Identifier Definition: The unique Fedwire Routing Number identifier as assigned by the American Bankers Association (ABA) for this CI debtor financial institution. BRS Mapping CSC FIN0001 0..1 Alternative bank identification
0 .. 1	BBIE CI_Debtor_Financial Institution. Portuguese NCC_ Identification. Identifier Definition: The unique Portuguese National Clearing Code (NCC) identifier for this CI debtor financial institution. BRS Mapping CSC FIN0001 0..1 Alternative bank identification
0 .. 1	BBIE CI_Debtor_Financial Institution. Russian Central Bank_ Identification. Identifier Definition: The unique Russian Central Bank Identification Code identifier for this CI debtor financial institution. BRS Mapping CSC FIN0001 0..1 Alternative bank identification
0 .. 1	BBIE CI_Debtor_Financial Institution. Italian Domestic_ Identification. Identifier Definition: The unique Italian Domestic Identification Code identifier as assigned by the Associazione Bancaria Italiana (ABI) for this CI debtor financial institution. BRS Mapping CSC FIN0001 0..1 Alternative bank identification
0 .. 1	BBIE CI_Debtor_Financial Institution. Austrian Bankleitzahl_ Identification. Identifier Definition: The unique Austrian Bankleitzahl identifier for this CI debtor financial institution. BRS Mapping CSC FIN0001 0..1 Alternative bank identification
0 .. 1	BBIE CI_Debtor_Financial Institution. Canadian Payments Association_ Identification. Identifier Definition: The unique Canadian Payments Association Routing Number identifier for this CI debtor financial institution. BRS Mapping CSC FIN0001 0..1 Alternative bank identification
0 .. 1	BBIE CI_Debtor_Financial Institution. SIC_ Identification. Identifier Definition: The unique Swiss Interbank Clearing (SIC) Code identifier for this CI debtor financial institution. BRS Mapping CSC FIN0001 0..1 Alternative bank identification
0 .. 1	BBIE CI_Debtor_Financial Institution. German Bankleitzahl_ Identification. Identifier Definition: The unique German Bankleitzahl identifier for this CI debtor financial institution. BRS Mapping CSC FIN0001 0..1 Alternative bank identification

Occurrence	Element/Attribute
0 .. 1	BBIE CI_Debtor_Financial Institution. Spanish Domestic Interbanking_ Identification. Identifier Definition: The unique Spanish Domestic Interbanking Code identifier as assigned by the Centro de Cooperacion Interbancaria (CCI) for this CI debtor financial institution. BRS Mapping CSC FIN0001 0..1 Alternative bank identification
0 .. 1	BBIE CI_Debtor_Financial Institution. South African NCC_ Identification. Identifier Definition: The unique South African National Clearing Code (NCC) identifier as assigned by the South African Bankers Services Company Ltd. (BankServ) for this CI debtor financial institution. BRS Mapping CSC FIN0001 0..1 Alternative bank identification
0 .. 1	BBIE CI_Debtor_Financial Institution. Hong Kong Bank_ Identification. Identifier Definition: The unique Hong Kong Bank Code identifier for this CI debtor financial institution. BRS Mapping CSC FIN0001 0..1 Alternative bank identification
0 .. 1	BBIE CI_Debtor_Financial Institution. Australian BSB_ Identification. Identifier Definition: The unique Australian Bank State Branch (BSB) Code identifier as assigned by the Australian Payments Clearing Association (APCA) for this CI debtor financial institution. BRS Mapping CSC FIN0001 0..1 Alternative bank identification
0 .. 1	BBIE CI_Debtor_Financial Institution. Indian Financial System_ Identification. Identifier Definition: The unique Indian Financial System Code identifier for this CI debtor financial institution. BRS Mapping CSC FIN0001 0..1 Alternative bank identification
0 .. 1	BBIE CI_Debtor_Financial Institution. Hellenic Bank_ Identification. Identifier Definition: The unique Hellenic Bank Identification Code identifier for this CI debtor financial institution. BRS Mapping CSC FIN0001 0..1 Alternative bank identification
0 .. 1	BBIE CI_Debtor_Financial Institution. Polish National Clearing_ Identification. Identifier Definition: The unique Polish National Clearing Code identifier for this CI debtor financial institution. BRS Mapping CSC FIN0001 0..1 Alternative bank identification
0 .. 1	BBIE CI_Debtor_Financial Institution. Name. Text Definition: The name, expressed as text, for this CI debtor financial institution. BRS Mapping CSC FIN0003 0..1 Institution name
0 .. 1	ASBIE CI_Debtor_Financial Institution. Location. Financial Institution_ Address Definition: The location address for this CI debtor financial institution. BRS Mapping CSC FIN0004 0..1 Address - mapped to Financial Institution_ Address and not Trade_ Address
0 .. 1	ASBIE CI_Debtor_Financial Institution. Sub-Division. Branch_ Financial Institution Definition: The sub-division (branch) financial institution for this CI debtor financial institution. BRS Mapping CSC FIN0005 0..1 Financial Institution branch

Occurrence	Element/Attribute
	ABIE CI_Delivery_Adjustment.Details
0 .. 1	BBIE CI_Delivery_Adjustment.Reason.Code Definition: The code specifying a reason for this CI delivery adjustment. BRS Mapping CSC DLA0004 0.* 0..1 in workbase
0 .. unbounded	BBIE CI_Delivery_Adjustment.Reason.Text Definition: A reason, expressed as text, for this CI delivery adjustment. BRS Mapping CSC DLA0005 0.* 0..1 in workbase
0 .. unbounded	BBIE CI_Delivery_Adjustment.Actual.Amount Definition: An actual monetary value added or subtracted as a result of this CI delivery adjustment. BRS Mapping CSC DLA0001 0.*
0 .. 1	BBIE CI_Delivery_Adjustment.Actual.Quantity Definition: The actual quantity added or subtracted as a result of this CI delivery adjustment. BRS Mapping CSC DLA0002 0..1
0 .. 1	BBIE CI_Delivery_Adjustment.Actual.Date Time Definition: The actual date, time, date time, or other date time value of this CI delivery adjustment. BRS Mapping CSC DLA0003 0..1 Date Time

Occurrence	Element/Attribute
	<p>ABIE CI_ Document Context_ Parameter. Details</p>
0 .. 1	<p>—BBIE CI_ Document Context_ Parameter. Identification. Identifier Definition: The unique identifier of this CI document context parameter.</p> <p>BRS Mapping CSC DOC0013 0..1 Version ID (standard i.e. Subset guideline version ID)</p> <p>BRS Mapping CSC DOC0012 0..1 Version ID (standard i.e. BRS and/or BIM version ID)</p> <p>BRS Mapping CSC DOC0014 0..1 Transaction Type ID (i.e. Guideline Transaction type ID)</p>
0 .. 1	<p>—BBIE CI_ Document Context_ Parameter. Value. Text Definition: The value, expressed as text, of this CI document context parameter.</p>
0 .. 1	<p>—ASBIE CI_ Document Context_ Parameter. Specified. CI_ Document_ Version Definition: The CI document version specified for this CI document context parameter.</p>

Occurrence	Element/Attribute
	ABIE CI_Document_Version. Details
0 .. 1	—BBIE Definition: CI_Document_Version. Identification. Identifier The unique identifier for this CI document version.
0 .. 1	—BBIE Definition: CI_Document_Version. Name. Text The name, expressed as text, of this CI document version.
0 .. 1	—BBIE Definition: CI_Document_Version. Issue. Date Time The date, time, date time or other date time value of issue of this CI document version.

Occurrence	Element/Attribute
	ABIE CI_ Exchanged Document_ Context. Details
0 .. 1	BBIE CI_ Exchanged Document_ Context. Specified_ Transaction. Identifier Definition: The identifier of a specified transaction in this CI exchanged document context.
0 .. unbounded	ASBIE CI_ Exchanged Document_ Context. Business Process_ Specified. CI_ Document Context_ Parameter Definition: A business process CI document context parameter specified for this CI exchanged document context.
0 .. unbounded	ASBIE CI_ Exchanged Document_ Context. BIM_ Specified. CI_ Document Context_ Parameter Definition: A Business Information Master (BIM) CI document context parameter specified for this CI exchanged document context.
0 .. unbounded	ASBIE CI_ Exchanged Document_ Context. Scenario_ Specified. CI_ Document Context_ Parameter Definition: A scenario CI document context parameter specified for this CI exchanged document context.
0 .. unbounded	ASBIE CI_ Exchanged Document_ Context. Application_ Specified. CI_ Document Context_ Parameter Definition: An application CI document context parameter specified for this CI exchanged document context.
0 .. unbounded	ASBIE CI_ Exchanged Document_ Context. Guideline_ Specified. CI_ Document Context_ Parameter Definition: A guideline CI document context parameter specified for this CI exchanged document context.
0 .. unbounded	ASBIE CI_ Exchanged Document_ Context. Subset_ Specified. CI_ Document Context_ Parameter Definition: A subset CI document context parameter specified for this CI exchanged document context.

Occurrence	Element/Attribute
	ABIE CI_Financial_Adjustment_Details
0 .. 1	<ul style="list-style-type: none"> —BBIE CI_Financial_Adjustment.Reason.Code Definition: The code specifying a reason for this CI financial adjustment. BRS Mapping CSC FLA0003 0..* Reason Code: Cardinality changed to 0:1 20MAR09
0 .. unbounded	<ul style="list-style-type: none"> —BBIE CI_Financial_Adjustment.Reason.Text Definition: A reason, expressed as text, for this CI financial adjustment. BRS Mapping CSC FLA0004 0..* Reason text
0 .. unbounded	<ul style="list-style-type: none"> —BBIE CI_Financial_Adjustment.Actual.Amount Definition: An actual monetary value added or subtracted as a result of this CI financial adjustment. BRS Mapping CSC FLA0001 0..* Actual amount
0 .. 1	<ul style="list-style-type: none"> —BBIE CI_Financial_Adjustment.Actual.Quantity Definition: The actual quantity added or subtracted as a result of this CI financial adjustment.
0 .. 1	<ul style="list-style-type: none"> —BBIE CI_Financial_Adjustment.Actual.Date Time Definition: The actual date, time, date time, or other date time value of this CI financial adjustment. BRS Mapping CSC FLA0002 0..1 Date time

Occurrence	Element/Attribute
	ABIE CI_Geographical Coordinate. Details
0 .. 1	BBIE CI_Geographical Coordinate. Altitude. Measure Definition: The measure of the altitude of this CI geographical coordinate. BRS Mapping CSC GEO0001 0..1 Geographical Coordinate Altitude Measure
0 .. 1	BBIE CI_Geographical Coordinate. Latitude. Measure Definition: The measure of the latitude of this CI geographical coordinate. BRS Mapping CSC GEO0002 0..1 Geographical Coordinate Latitude Measure - Circular degree qDT required
0 .. 1	BBIE CI_Geographical Coordinate. Longitude. Measure Definition: The measure of the longitude of this CI geographical coordinate. BRS Mapping CSC GEO0003 0..1 Geographical Coordinate Longitude Measure - Circular degree qDT required
0 .. 1	BBIE CI_Geographical Coordinate. System. Identifier Definition: The unique identifier of the reference system used for measuring this CI geographical coordinate. BRS Mapping CSC GEO0006 0..1 Geographical Coordinate System Identifier

Occurrence	Element/Attribute
	ABIE CI_Legal_Organization. Details
0 .. 1	BBIE CI_Legal_Organization. Legal Classification. Code Definition: The code specifying the legal classification of this CI organization, such as Incorporated (Inc), Limited Liability Corporation (LLC) or non-profit. BRS Mapping CSC PAR0013 0..1 Party Legal Classification Code
0 .. 1	BBIE CI_Legal_Organization. Name. Text Definition: The name, expressed as text, of this CI legal organization. BRS Mapping CSC PAR0012 0..1 Party Legal Entity Registration Name
0 .. 1	BBIE CI_Legal_Organization. Identification. Identifier Definition: The unique identifier for this CI legal organization. BRS Mapping CSC PAR0011 0..1 Party Legal Entity Identification
0 .. 1	ASBIE CI_Legal_Organization. Postal. CI_Trade_Address Definition: The postal address for this CI legal organization. BRS Mapping CSC PAR0015 0..1 Party Legal Entity Registration Address - maybe a specific ASCC with PT Registration should be added as Postal does not seem to really fit here?
0 .. unbounded	ASBIE CI_Legal_Organization. Authorized. CI_Legal_Registration Definition: A legal registration authorized for this CI legal organization.

Occurrence	Element/Attribute
0 .. 1	<p>ABIE</p> <p>BBIE Definition: BRS Mapping</p>
	<p>CI_Legal_Registration. Details</p> <p>CI_Legal_Registration. Type. Code The code specifying the type of this CI legal registration. CSC PAR0014 0..1 Party Legal Corporate Registration Scheme: cardinality changed to 0..* 20MAR09</p>
0 .. 1	<p>BBIE Definition: BRS Mapping</p>
	<p>CI_Legal_Registration. Identification. Identifier</p> <p>The unique identifier for this CI legal registration. CSC PAR0003 0..* Party Tax Identifier</p>

Occurrence	Element/Attribute
	ABIE CI_Logistics_Location. Details
0 .. 1	BBIE CI_Logistics_Location. Identification. Identifier Definition: The unique identifier for this CI logistics related location, such as a United Nations Location Code (UNLOCODE) or GS1 Global Location Number (GLN). BRS Mapping CSC LOC0001 0..1 Location identification
0 .. unbounded	BBIE CI_Logistics_Location. Name. Text Definition: A name, expressed as text, of this CI logistics related location. BRS Mapping CSC LOC0003 0..* Location Name Text
0 .. 1	BBIE CI_Logistics_Location. Type. Code Definition: The code specifying the type of this CI logistics related location. BRS Mapping CSC LOC0004 0..* Location Type Code : cardinality changed to 0..1
0 .. unbounded	BBIE CI_Logistics_Location. Description. Text Definition: A textual description of this CI logistics related location. BRS Mapping CSC LOC0002 0..1 Location description
0 .. 1	ASBIE CI_Logistics_Location. Postal. CI_Trade_Address Definition: The postal trade address information for this CI logistics related location. BRS Mapping CSC LOC0007 0..1 Location Address Terms Country Identifier
0 .. 1	ASBIE CI_Logistics_Location. Physical. CI_Geographical_Coordinate Definition: Physical geographical coordinate information for this CI logistics related location.

Occurrence	Element/Attribute	
	ABIE	CI_Logistics_Service Charge. Details
0 .. 1	BBIE Definition:	CI_Logistics_Service Charge. Identification. Identifier The unique identifier for this CI logistics service charge.
0 .. unbounded	BBIE Definition:	CI_Logistics_Service Charge. Description. Text A textual description of this CI logistics service charge.
0 .. 1	BBIE Definition:	CI_Logistics_Service Charge. Payment Arrangement. Code The code specifying the payment arrangement for this CI logistics service charge.
0 .. 1	BBIE Definition:	CI_Logistics_Service Charge. Tariff Class. Code The code specifying the tariff class for this CI logistics service charge which represents an entry in a table of fixed charges [Reference United Nations Code List (UNCL) 5243].
0 .. 1	BBIE Definition:	CI_Logistics_Service Charge. Charge_Category. Code The code specifying the category of charge for this CI logistics service charge [Reference United Nations Code List (UNCL) 5237].
0 .. 1	BBIE Definition:	CI_Logistics_Service Charge. Service_Category. Code The code specifying the category of service for this CI logistics service charge.
0 .. unbounded	BBIE Definition:	CI_Logistics_Service Charge. Disbursement. Amount A monetary value of a disbursement for this CI logistics service charge.
0 .. unbounded	BBIE Definition:	CI_Logistics_Service Charge. Applied. Amount A monetary value applied to this CI logistics service charge.
0 .. 1	BBIE Definition:	CI_Logistics_Service Charge. Allowance Charge. Text The allowance or charge, expressed as text, for this CI logistics service charge.
0 .. 1	BBIE Definition:	CI_Logistics_Service Charge. Paying Party Role. Code The code specifying the role of the party responsible for paying this CI logistics service charge.
0 .. 1	BBIE Definition:	CI_Logistics_Service Charge. Calculation Basis. Code The code specifying a basis on which this CI logistics service charge is to be calculated, such as by volume or per unit.
0 .. 1	BBIE Definition:	CI_Logistics_Service Charge. Calculation Basis. Text The basis, expressed as text, on which this CI logistics service charge is to be calculated, such as by volume or per unit.
0 .. 1	BBIE Definition:	CI_Logistics_Service Charge. Transport Payment Method. Code The code specifying the transport payment method for this CI logistics service charge.
0 .. 1	ASBIE Definition:	CI_Logistics_Service Charge. Payment Place. CI_Logistics_Location The location of the place of payment of this CI logistics service charge.
0 .. 1	ASBIE Definition:	CI_Logistics_Service Charge. Applied From. CI_Logistics_Location The start location from which this CI logistics service charge should be applied.
0 .. 1	ASBIE Definition:	CI_Logistics_Service Charge. Applied To. CI_Logistics_Location The end location up to which this CI logistics service charge should be applied.
0 .. unbounded	ASBIE Definition:	CI_Logistics_Service Charge. Applied. CI_Trade_Tax A tax that is applied to this CI logistics service charge.

Occurrence	Element/Attribute
	ABIE CI_Logistics_Transport Means. Details
0 .. 1	BBIE CI_Logistics_Transport Means. Type. Code Definition: The code specifying the type of CI logistics means of transport (Reference UNECE Recommendation 28). BRS Mapping CSC TME0002 0..1 Transport Means Type Code
0 .. 1	BBIE CI_Logistics_Transport Means. Type. Text Definition: The type, expressed as text, of this CI logistics means of transport. BRS Mapping CSC TME0003 0..1 Transport Means Type Text
0 .. 1	BBIE CI_Logistics_Transport Means. Identification. Identifier Definition: The unique identifier of this CI logistics means of transport, such as the International Maritime Organization number of a vessel. BRS Mapping CSC TME0001 0..1 Transport Means Identification (Transport Means Name mapping added for maritime vessels)
0 .. 1	BBIE CI_Logistics_Transport Means. Name. Text Definition: The name, expressed as text, of this CI logistics means of transport. BRS Mapping CSC TME0001 0..1 Transport Means Name (for maritime vessels)

Occurrence	Element/Attribute
	ABIE CI_Logistics_Transport Movement. Details
0 .. 1	BBIE CI_Logistics_Transport Movement. Mode. Code Definition: The code specifying the mode, such as by air, sea, rail, road or inland waterway, for this CI logistics transport movement. BRS Mapping CSC TMO0001 0..1 Mode Type Code
0 .. 1	BBIE CI_Logistics_Transport Movement. Mode. Text Definition: The mode, expressed as text, of this CI logistics transport movement. BRS Mapping CSC TMO0002 0..1 Mode type description
0 .. 1	ASBIE CI_Logistics_Transport Movement. Used. CI_Logistics_Transport Means Definition: The means of transport used for this CI logistics transport movement.

Occurrence	Element/Attribute
	ABIE CI_Material_Goods Characteristic. Details
0 .. unbounded	BBIE CI_Material_Goods Characteristic. Description. Text Definition: A textual description of this CI material goods characteristic. BRS Mapping CSC MAT0004 0..1 Material description
0 .. 1	BBIE CI_Material_Goods Characteristic. Type. Code Definition: The code specifying the type of CI material goods characteristic. BRS Mapping CSC MAT0001 0..1 Material type code
0 .. 1	BBIE CI_Material_Goods Characteristic. Proportional_Constituent. Percent Definition: The percentage presence of the material within the goods for this CI material goods characteristic. BRS Mapping CSC MAT0002 0..1 Material percentage
0 .. 1	BBIE CI_Material_Goods Characteristic. Absolute Presence_Weight. Measure Definition: The weight measure of the absolute presence of this CI material goods characteristic. BRS Mapping CSC MAT0003 0.* Material weight quantity
0 .. 1	BBIE CI_Material_Goods Characteristic. Absolute Presence_Volume. Measure Definition: The volume measure of the absolute presence of this CI material goods characteristic. BRS Mapping CSC MAT0003 0.* Material volume quantity

Occurrence	Element/Attribute
	ABIE
0 .. 1	BBIE Definition: CI_Note. Subject. Text BRS Mapping CSC NOT0003 0..1 Note Subject Text :
0 .. 1	BBIE Definition: CI_Note. Content. Code BRS Mapping CSC NOT0004 0..1 Note Content Code
0 .. unbounded	BBIE Definition: CI_Note. Content. Text BRS Mapping CSC NOT0005 0..1 Note Content Text : cardinality changed to 0..*
0 .. 1	BBIE Definition: CI_Note. Subject. Code BRS Mapping CSC NOT0002 0..1 Note Subject Code
0 .. 1	BBIE Definition: CI_Note. Identification. Identifier BRS Mapping CSC NOT0001 0..1 Note Identifier
	CI_Note. Details

Occurrence	Element/Attribute
	ABIE CI_Packaging_Marking_Details
0 .. 1	—BBIE CI_Packaging_Marking_Type.Code Definition: The code specifying the type of CI packaging marking.
0 .. unbounded	—BBIE CI_Packaging_Marking_Content.Text Definition: Content, expressed as text, of this CI packaging marking.
0 .. 1	—BBIE CI_Packaging_Marking_Content.Date Time Definition: The date, time, date time or other date time value of the content of this CI packaging marking.

Occurrence	Element/Attribute
	<p>ABIE</p> <p>CI_Product_Characteristic. Details</p>
0 .. unbounded	<p>BBIE</p> <p>Definition: CI_Product_Characteristic. Identification. Identifier</p> <p>A unique identifier for this CI product characteristic.</p>
0 .. 1	<p>BBIE</p> <p>Definition: CI_Product_Characteristic. Type. Code</p> <p>The code specifying a type of CI product characteristic.</p>
0 .. unbounded	<p>BBIE</p> <p>Definition: CI_Product_Characteristic. Description. Text</p> <p>A textual description of this CI product characteristic.</p>
0 .. 1	<p>BBIE</p> <p>Definition: CI_Product_Characteristic. Value. Measure</p> <p>The measure of a value for this CI product characteristic.</p>
0 .. 1	<p>BBIE</p> <p>Definition: CI_Product_Characteristic. Measurement Method. Code</p> <p>The code specifying a measurement method for this CI product characteristic.</p>

Occurrence	Element/Attribute
	ABIE CI_Referenced_Document_Details
1 .. 1	BBIE CI_Referenced_Document_IssuerAssignedIdentification.Identifier Definition: The unique issuer assigned identifier for this CI referenced document. BRS Mapping CSC REF0001 1..1 Reference number
0 .. 1	BBIE CI_Referenced_Document_URIIdentification.Identifier Definition: The unique Uniform Resource Identifier (URI) for this CI referenced document. BRS Mapping CSC REF0006 0..1 Reference URI
0 .. 1	BBIE CI_Referenced_Document_IssueDateTime Definition: The date or date time for the issuance of this CI referenced document. BRS Mapping CSC REF0003 0..1 Reference date
0 .. 1	BBIE CI_Referenced_Document_StatusCode Definition: The code specifying the status for this CI referenced document. BRS Mapping CSC REF0004 0..1 Reference status
0 .. 1	BBIE CI_Referenced_Document_CopyIndicator Definition: The indication of whether or not the CI referenced document is a copy. BRS Mapping CSC REF0008 0..1 Copy indicator
0 .. 1	BBIE CI_Referenced_Document_LineIdentifier Definition: The unique identifier of a line in this CI referenced document. BRS Mapping CSC REF0009 0..1 Reference line number
0 .. 1	BBIE CI_Referenced_Document_ReferenceTypeCode Definition: The code specifying the reference type of this CI referenced document. BRS Mapping CSC REF0012 0..1 Document type
0 .. 1	BBIE CI_Referenced_Document_GlobalIdentification.Identifier Definition: The unique global identifier for this CI referenced document. BRS Mapping CSC REF0007 0..1 Reference GUID
0 .. 1	BBIE CI_Referenced_Document_RevisionIdentification.Identifier Definition: The unique identifier for a revision of this CI referenced document. BRS Mapping CSC REF0005 0..1 Reference index ID
0 .. unbounded	BBIE CI_Referenced_Document_NameText Definition: A name, expressed as text, for this CI referenced document. BRS Mapping CSC REF0002 0..1 Reference Document Name
0 .. 1	ASBIE CI_Referenced_Document_IssuerCITradeParty Definition: The trade party that issued this CI referenced document. BRS Mapping CSC REF0011 0..1 Referenced document issuer party
0 .. unbounded	ASBIE CI_Referenced_Document_AttachedSpecifiedBinaryFile Definition: A specified binary file attached to this CI referenced document. BRS Mapping CSC REF0014 0..* Attached Binary File

Occurrence	Element/Attribute
	ABIE
0 .. 1	<ul style="list-style-type: none"> — BBIE Definition: CI_Registered_Tax. Type. Code
0 .. 1	<ul style="list-style-type: none"> — BBIE Definition: CI_Registered_Tax. Exemption Reason. Code
0 .. unbounded	<ul style="list-style-type: none"> — BBIE Definition: CI_Registered_Tax. Exemption Reason. Text
0 .. 1	<ul style="list-style-type: none"> — BBIE Definition: CI_Registered_Tax. Currency. Code
0 .. unbounded	<ul style="list-style-type: none"> — BBIE Definition: CI_Registered_Tax. Jurisdiction. Text
0 .. unbounded	<ul style="list-style-type: none"> — BBIE Definition: CI_Registered_Tax. Description. Text
0 .. 1	<ul style="list-style-type: none"> — BBIE Definition: CI_Registered_Tax. Customs Duty. Indicator
	CI_Registered_Tax. Details

Occurrence	Element/Attribute	
	ABIE	CI_Spatial_Dimension. Details
0 .. 1	BBIE Definition:	CI_Spatial_Dimension. Value. Measure The measure of the value of this CI spatial dimension.
0 .. 1	BBIE Definition:	CI_Spatial_Dimension. Type. Code The code specifying the type of CI spatial dimension, such as thickness, area or volume.
0 .. unbounded	BBIE Definition:	CI_Spatial_Dimension. Description. Text A textual description of this CI spatial dimension.
0 .. 1	BBIE Definition:	CI_Spatial_Dimension. Width. Measure The measure of the width component of this CI spatial dimension.
0 .. 1	BBIE Definition:	CI_Spatial_Dimension. Length. Measure The measure of the length component of this CI spatial dimension.
0 .. 1	BBIE Definition:	CI_Spatial_Dimension. Height. Measure The measure of the height component of this CI spatial dimension.
0 .. 1	BBIE Definition:	CI_Spatial_Dimension. Identification. Identifier The unique identifier of this CI spatial dimension.

Occurrence	Element/Attribute
------------	-------------------

Occurrence	Element/Attribute
	ABIE CI_Specified_Period. Details
0 .. unbounded	BBIE CI_Specified_Period. Duration. Measure Definition: A measure of the length of time for this CI specified period.
0 .. 1	BBIE CI_Specified_Period. Inclusive. Indicator Definition: The indication of whether or not start and end dates are included in this CI specified period.
0 .. unbounded	BBIE CI_Specified_Period. Description. Text Definition: A textual description of this CI specified period of time.
0 .. 1	BBIE CI_Specified_Period. Start. Date Time Definition: The date, time, date time or other date time value for the start of this CI specified period of time.
0 .. 1	BBIE CI_Specified_Period. End. Date Time Definition: The date, time, date time or other date time value for the end of this CI specified period of time.
0 .. 1	BBIE CI_Specified_Period. Complete. Date Time Definition: The date, time, date time or other date time value for a complete CI specified period of time, such as a specific month or a specific week.
0 .. 1	BBIE CI_Specified_Period. Season. Code Definition: The code specifying the season for this CI specified period.
0 .. 1	BBIE CI_Specified_Period. Identification. Identifier Definition: The unique identifier of this CI specified period.
0 .. unbounded	BBIE CI_Specified_Period. Name. Text Definition: A name, expressed as text, of this CI specified period.
0 .. 1	BBIE CI_Specified_Period. Sequence. Numeric Definition: The sequence number for this CI specified period.
0 .. 1	BBIE CI_Specified_Period. Start Date Flexibility. Code Definition: The code specifying the flexibility of the start date of this CI specified period.
0 .. 1	BBIE CI_Specified_Period. Continuous. Indicator Definition: The indication of whether or not this CI specified period is continuous.

Occurrence	Element/Attribute
	ABIE CI_Supply Chain_Consignment. Details
0 .. 1	ASBIE CI_Supply Chain_Consignment. Consignor. CI_Trade_Party Definition: The consignor party for this CI supply chain consignment.
0 .. 1	ASBIE CI_Supply Chain_Consignment. Consignee. CI_Trade_Party Definition: The consignee party for this CI supply chain consignment.
0 .. 1	ASBIE CI_Supply Chain_Consignment. Delivery. CI_Trade_Party Definition: The party to whom this CI supply chain consignment will be, or has been, delivered.
0 .. unbounded	ASBIE CI_Supply Chain_Consignment. Specified. CI_Logistics_Transport Movement Definition: A logistics transport movement specified for this CI supply chain consignment.

Occurrence	Element/Attribute
	ABIE CI_Supply Chain_Event. Details
0 .. 1	—BBIE Definition: CI_Supply Chain_Event. Identification. Identifier The unique identifier for this CI supply chain event.
0 .. 1	—BBIE Definition: CI_Supply Chain_Event. Occurrence. Date Time The date, time, date time, or other date time value of an occurrence of this CI supply chain event.
0 .. 1	—BBIE Definition: CI_Supply Chain_Event. Type. Code The code specifying the type of CI supply chain event.
0 .. unbounded	—BBIE Definition: CI_Supply Chain_Event. Description. Text A textual description of this CI supply chain event.
0 .. unbounded	—BBIE Definition: CI_Supply Chain_Event. Description. Binary Object Binary object data, such as a photograph, describing this CI supply chain event.
0 .. 1	—BBIE Definition: CI_Supply Chain_Event. Unit. Quantity The number of units for this CI supply chain event.
0 .. 1	— ASBIE CI_Supply Chain_Event. Occurrence. CI_Specified_Period Definition: The specified period of time during which this CI supply chain event occurs.
0 .. 1	— ASBIE CI_Supply Chain_Event. Occurrence. CI_Logistics_Location Definition: The logistics location where this CI supply chain event occurs.

Occurrence	Element/Attribute
	ABIE CI_Supply Chain_Packaging. Details
0 .. 1	BBIE CI_Supply Chain_Packaging. Type. Code Definition: The code specifying the type of CI supply chain packaging. BRS Mapping CSC PAC0002 0..1 Packaging Type Code
0 .. 1	BBIE CI_Supply Chain_Packaging. Type. Text Definition: The type, expressed as text, of CI supply chain packaging. BRS Mapping CSC PAC0001 0..1 Packaging Type Description
0 .. 1	BBIE CI_Supply Chain_Packaging. Condition. Code Definition: The code specifying the condition of this CI supply chain packaging. BRS Mapping CSC PAC0003 0..1 Packaging Condition
0 .. unbounded	BBIE CI_Supply Chain_Packaging. Disposal Method. Code Definition: A code specifying a disposal method of this CI supply chain packaging. BRS Mapping CSC PAC0016 0..1 Destructible Indicator
0 .. 1	BBIE CI_Supply Chain_Packaging. Weight. Measure Definition: The measure of the weight of this CI supply chain packaging. BRS Mapping CSC PAC0005 0..1 Packaging weight
0 .. 1	ASBIE CI_Supply Chain_Packaging. Linear. CI_Spatial_Dimension Definition: The linear spatial dimensions of this CI supply chain packaging. BRS Mapping CSC PAC0011 0..1 Packaging Nominal Dimension
0 .. 1	ASBIE CI_Supply Chain_Packaging. Minimum_Linear. CI_Spatial_Dimension Definition: The minimum linear spatial dimensions of this CI supply chain packaging. BRS Mapping CSC PAC0012 0..1 Packaging Minimum Dimension
0 .. 1	ASBIE CI_Supply Chain_Packaging. Maximum_Linear. CI_Spatial_Dimension Definition: The maximum linear spatial dimensions of this CI supply chain packaging. BRS Mapping CSC PAC0013 0..1 Packaging Maximum Dimension
0 .. unbounded	ASBIE CI_Supply Chain_Packaging. Specified. CI_Packaging_Marking Definition: A marking specified for this CI supply chain packaging, such as an inscription, stamp or label. BRS Mapping CSC PAC0009 0..* Packaging Marks

Occurrence	Element/Attribute
0 .. 1	ABIE CI_Tax_Registration. Details —BBIE CI_Tax_Registration. Identification. Identifier Definition: The unique identifier for this CI tax registration.
0 .. 1	ASBIE CI_Tax_Registration. Associated. CI_Registered_Tax Definition: The registered tax associated with this CI tax registration.

Occurrence	Element/Attribute
	ABIE CI_Trade Settlement_Payment Means. Details
0 .. 1	BBIE CI_Trade Settlement_Payment Means. Payment Channel. Code Definition: The code specifying the payment channel through which this CI trade settlement payment means is to be processed (Reference United Nations Code List (UNCL) 4435). BRS Mapping CSC PYM0004 0..1 Payment Channel Code
0 .. 1	BBIE CI_Trade Settlement_Payment Means. Type. Code Definition: The code specifying the type of CI trade settlement payment means, such as cash or cheque. BRS Mapping CSC PYM0003 0..1 Payment Means Type Code - is this correct mapping? If so, how to map PYM005?
0 .. 1	BBIE CI_Trade Settlement_Payment Means. Guarantee Method. Code Definition: The code specifying the method of guarantee for this CI trade settlement payment means. BRS Mapping CSC PYM0002 0..1 Payment Guarantee Code
0 .. 1	BBIE CI_Trade Settlement_Payment Means. Payment Method. Code Definition: The code specifying the method by which a payment may be made for this CI trade settlement payment means. BRS Mapping CSC PYM0001 0..1 Payment Method Code
0 .. unbounded	BBIE CI_Trade Settlement_Payment Means. Identification. Identifier Definition: An identifier for the CI trade settlement payment means. BRS Mapping CSC PYM0012 0.* ID
0 .. 1	ASBIE CI_Trade Settlement_Payment Means. Payer_Party. CI_Debtor_Financial Account Definition: The debtor financial account of the payer party for this CI trade settlement payment means. BRS Mapping CSC PYM0008 0..1 Payer Financial Account
0 .. 1	ASBIE CI_Trade Settlement_Payment Means. Payee_Party. CI_Creditor_Financial Account Definition: The creditor financial account of the payee party for this CI trade settlement payment means. BRS Mapping CSC PYM0009 0..1 Payee Financial Account
0 .. 1	ASBIE CI_Trade Settlement_Payment Means. Payer_Specified. CI_Debtor_Financial Institution Definition: The debtor financial institution of the payer party specified for this CI trade settlement payment means. BRS Mapping CSC PYM0010 0..1 Payer Financial Institution
0 .. 1	ASBIE CI_Trade Settlement_Payment Means. Payee_Specified. CI_Creditor_Financial Institution Definition: The creditor financial institution of the payee party specified for this CI trade settlement payment means. BRS Mapping CSC PYM0011 0..1 Payee Financial Institution
0 .. 1	ASBIE CI_Trade Settlement_Payment Means. Applicable. Trade Settlement_Financial Card Definition: The trade settlement financial card applicable to this CI trade settlement payment means. BRS Mapping CSC PYM-0012 0.* Financial Card Details

Occurrence	Element/Attribute
	ABIE CI_Trade_Accounting Account. Details
1 .. 1	BBIE CI_Trade_Accounting Account. Identification. Identifier Definition: The unique identifier for this CI trade accounting account. BRS Mapping CSC ACC0001 1..1 Account Identification - is this requirement really always mandatory?
0 .. 1	BBIE CI_Trade_Accounting Account. Set Trigger. Code Definition: The code specifying a set trigger for this CI trade accounting account to be used in response to a specific event or a set of events. BRS Mapping CSC ACC0002 0..1 Account Set Trigger
0 .. 1	BBIE CI_Trade_Accounting Account. Type. Code Definition: The code specifying the type of CI trade accounting account, such as general (main), secondary, cost accounting or budget account. BRS Mapping CSC ACC0003 0..1 Account Type
0 .. 1	BBIE CI_Trade_Accounting Account. Amount Type. Code Definition: The code specifying the amount type for this CI trade accounting account. BRS Mapping CSC ACC0004 0..1 Account Amount Identification
0 .. 1	BBIE CI_Trade_Accounting Account. Name. Text Definition: The name, expressed as text, of this CI trade accounting account. BRS Mapping CSC ACC0006 0..1 Name
0 .. 1	BBIE CI_Trade_Accounting Account. Cost Reference Dimension Pattern. Text Definition: The cost reference dimension pattern, expressed as text, for this CI trade accounting account. BRS Mapping CSC ACC0005 0..1 Cost Assignment Reference

Occurrence	Element/Attribute
0 .. 1	ABIE CI_Trade_Address. Details BBIE CI_Trade_Address. Identification. Identifier Definition: The unique identifier for this CI trade address. BRS Mapping CSC ADR0001 0..1 Address Identification
0 .. 1	BBIE CI_Trade_Address. Postcode. Code Definition: The postcode of this CI trade address. BRS Mapping CSC ADR0007 0..1 Postcode
0 .. 1	BBIE CI_Trade_Address. Post Office Box. Text Definition: The identifier, expressed as text, of a post office box for this CI trade address. BRS Mapping CSC ADR0002 0..1 Post Office Box
0 .. 1	BBIE CI_Trade_Address. Building Name. Text Definition: The name, expressed as text, of a building, a house or other structure on a street at this CI trade address. BRS Mapping CSC ADR0004 0..1 Building name
0 .. 1	BBIE CI_Trade_Address. Line One. Text Definition: The first free form line, expressed as text, of this CI trade address. BRS Mapping CSC ADR0008 0..1 Address line one
0 .. 1	BBIE CI_Trade_Address. Line Two. Text Definition: The second free form line, expressed as text, of this CI trade address. BRS Mapping CSC ADR0009 0..1 Address line two
0 .. 1	BBIE CI_Trade_Address. Line Three. Text Definition: The third free form line, expressed as text, of this CI trade address. BRS Mapping CSC ADR0010 0..1 Address line three
0 .. 1	BBIE CI_Trade_Address. Line Four. Text Definition: The fourth free form line, expressed as text, of this CI trade address. BRS Mapping CSC ADR0011 0..1 Address line four
0 .. 1	BBIE CI_Trade_Address. Line Five. Text Definition: The fifth free form line, expressed as text, of this CI trade address. BRS Mapping CSC ADR0012 0..1 Address line five
0 .. 1	BBIE CI_Trade_Address. Street Name. Text Definition: The name, expressed as text, of a street or thoroughfare for this CI trade address. BRS Mapping CSC ADR0003 0..1 Street name
0 .. 1	BBIE CI_Trade_Address. City Name. Text Definition: The name, expressed as text, of the city, town or village of this CI trade address. BRS Mapping CSC ADR0005 0..1 City name
0 .. 1	BBIE CI_Trade_Address. City Sub-Division Name. Text Definition: The name, expressed as text, of the sub-division of a city for this CI trade address, for example a district or borough. BRS Mapping CSC ADR0006 0..1 City Sub Division name
0 .. 1	BBIE CI_Trade_Address. Country. Identifier Definition: The unique identifier of the country for this CI trade address. BRS Mapping CSC ADR0013 0..1 Country Identification
0 .. unbounded	BBIE CI_Trade_Address. Country Name. Text Definition: A name, expressed as text, of the country for this CI trade address. BRS Mapping CSC ADR0014 0..1 Country name
0 .. 1	BBIE CI_Trade_Address. Country Sub-Division. Identifier Definition: The unique identifier of the sub-division of the country for this CI trade address. BRS Mapping CSC ADR0015 0..1 Country Sub-Division identification
0 .. unbounded	BBIE CI_Trade_Address. Country Sub-Division Name. Text Definition: A name, expressed as text, of the sub-division of a country for this CI trade address. BRS Mapping CSC ADR0016 0..1 Country Sub-Division name
0 .. 1	BBIE CI_Trade_Address. Attention Of. Text Definition: The name, expressed as text, of a person or department in the organization to whom incoming mail is marked with words such as 'for the attention of' or 'FAO' or 'ATTN' for this CI trade address. BRS Mapping CSC PAR0006 0..1 Party Attention Of Indicator
0 .. 1	BBIE CI_Trade_Address. Care Of. Text Definition: The name, expressed as text, of a person or organization at this CI trade address to whom incoming mail is marked with words such as 'care of' or 'C/O'. BRS Mapping CSC PAR0005 0..1 Party Mark Care Of Indicator
0 .. 1	BBIE CI_Trade_Address. Building Number. Text Definition: The building number, expressed as text, in this CI trade address. BRS Mapping CSC ADR0017 0..1 Building Number

Occurrence	Element/Attribute
	ABIE CI_Trade_Allowance Charge. Details
0 .. 1	BBIE CI_Trade_Allowance Charge. Charge. Indicator Definition: The indication of whether or not this CI trade allowance charge is a charge. BRS Mapping CSC ALC0003 0..1 Charge indicator
0 .. 1	BBIE CI_Trade_Allowance Charge. Identification. Identifier Definition: The unique identifier for this CI trade allowance charge. BRS Mapping CSC ALC0001 0..1 Allowance charge identification
0 .. 1	BBIE CI_Trade_Allowance Charge. Sequence. Numeric Definition: The sequence number for applying this CI trade allowance charge. BRS Mapping CSC ALC0006 0..1 Calculation sequence number
0 .. 1	BBIE CI_Trade_Allowance Charge. Calculation. Percent Definition: The percentage applied to calculate this CI trade allowance charge. BRS Mapping CSC ALC0005 0..1 Allowance charge percent
0 .. 1	BBIE CI_Trade_Allowance Charge. Basis. Quantity Definition: The quantity on which this CI trade allowance charge is based. BRS Mapping CSC ALC0002 0..1 Allowance charge base quantity
0 .. 1	BBIE CI_Trade_Allowance Charge. Prepaid. Indicator Definition: The indication of whether or not this CI trade allowance charge is prepaid. BRS Mapping CSC ALC0004 0..1 Prepaid charge levy indicator
0 .. unbounded	BBIE CI_Trade_Allowance Charge. Actual. Amount Definition: An actual monetary value of this CI trade allowance charge. BRS Mapping CSC ALC0007 0..1 Allowance charge amount
0 .. 1	BBIE CI_Trade_Allowance Charge. Reason. Code Definition: The code specifying the reason for this CI trade allowance charge. BRS Mapping CSC ALC0008 0..1 Allowance charge reason code
0 .. 1	BBIE CI_Trade_Allowance Charge. Reason. Text Definition: The reason, expressed as text, for this CI trade allowance charge. BRS Mapping CSC ALC0009 0..1 Allowance charge reason text
0 .. unbounded	ASBIE CI_Trade_Allowance Charge. Category. CI_Trade_Tax Definition: A tax category of this CI trade allowance charge. BRS Mapping CSC ALC0011 0..1 Tax category
0 .. 1	ASBIE CI_Trade_Allowance Charge. Actual. CI_Trade_Currency Exchange Definition: The actual trade currency exchange for this CI trade allowance charge. BRS Mapping CSC ALC0010 0..1 Allowance charge currency exchange

Occurrence	Element/Attribute
	ABIE CI_Trade_Contact. Details
0 .. 1	BBIE CI_Trade_Contact. Identification. Identifier Definition: The unique identifier for this CI trade contact. BRS Mapping CSC CON0001 0..1 Contact identification
0 .. 1	BBIE CI_Trade_Contact. Person Name. Text Definition: The name, expressed as text, of this CI trade contact person. BRS Mapping CSC CON0006 0..1 Contact person name
0 .. 1	BBIE CI_Trade_Contact. Department Name. Text Definition: The name, expressed as text, of the department which is this CI trade contact. BRS Mapping CSC CON0004 0..1 Contact department name
0 .. 1	BBIE CI_Trade_Contact. Type. Code Definition: The code specifying the type of CI trade contact. BRS Mapping CSC CON0007 0..1 Contact type code
0 .. 1	BBIE CI_Trade_Contact. Job Title. Text Definition: The job title, position or designation, expressed as text, of this CI trade contact. BRS Mapping CSC CON0002 0..1 Contact job title
0 .. 1	BBIE CI_Trade_Contact. Responsibility. Text Definition: The responsibility, expressed as text, of this CI trade contact. BRS Mapping CSC CON0003 0..1 Contact responsibility
0 .. unbounded	BBIE CI_Trade_Contact. Person_ Identification. Identifier Definition: A unique identifier for this CI trade contact person. BRS Mapping CSC CON0005 0..1 Contact person identifier
0 .. 1	ASBIE CI_Trade_Contact. Telephone. CI_ Universal_ Communication Definition: The telephone communication information for this CI trade contact. BRS Mapping CSC COM0001 0..1 Identification Identifier mapping missing?
0 .. 1	ASBIE CI_Trade_Contact. Direct_ Telephone. CI_ Universal_ Communication Definition: The direct telephone communication information for this CI trade contact. BRS Mapping CSC CON0010 0..1 Direct telephone number
0 .. 1	ASBIE CI_Trade_Contact. Mobile_ Telephone. CI_ Universal_ Communication Definition: The mobile telephone communication information for this CI trade contact. BRS Mapping CSC CON0011 0..1 Mobile telephone number
0 .. 1	ASBIE CI_Trade_Contact. Fax. CI_ Universal_ Communication Definition: The fax communication information for this CI trade contact. BRS Mapping CSC CON0012 0..1 Fax number
0 .. 1	ASBIE CI_Trade_Contact. Email_ URI. CI_ Universal_ Communication Definition: The email URI communication information for this CI trade contact. BRS Mapping CSC CON0014 0..1 E-mail address
0 .. 1	ASBIE CI_Trade_Contact. Telex. CI_ Universal_ Communication Definition: The telegraphy (Telex) communication information for this CI trade contact. BRS Mapping CSC CON0013 0..1 Telex number
0 .. 1	ASBIE CI_Trade_Contact. VOIP. CI_ Universal_ Communication Definition: The Voice Over Internet Protocol (VOIP) communication information for this CI trade contact. BRS Mapping CSC CON0015 0..1 Other communication (VOIP)
0 .. 1	ASBIE CI_Trade_Contact. Instant Messaging. CI_ Universal_ Communication Definition: The instant messaging communication information for this CI trade contact. BRS Mapping CSC CON0015 0..1 Other communication (Instant messenger)
0 .. unbounded	ASBIE CI_Trade_Contact. Specified. CI_ Note Definition: A note specified for this CI trade contact. BRS Mapping CSC CON0008 0..* Note

Occurrence	Element/Attribute
0 .. 1	ABIE
0 .. unbounded	CI_Trade_Country. Details
	BBIE Definition: CI_Trade_Country. Identification. Identifier The unique identifier for this CI trade country.
	BBIE Definition: CI_Trade_Country. Name. Text A name, expressed as text, for this CI trade country.

Occurrence	Element/Attribute
	ABIE CI_Trade_Currency_Exchange_Details
1 .. 1	BBIE CI_Trade_Currency_Exchange.Source_Currency.Code Definition: The code specifying the source currency of a CI trade currency conversion. BRS Mapping CSC CUX0001 1..1 Source currency
0 .. 1	BBIE CI_Trade_Currency_Exchange.Source_Unit_Basis.Numeric Definition: The numeric unit basis of the source currency used in this CI trade currency exchange rate calculation. BRS Mapping CSC CUX0002 0..1 Unit base source currency
1 .. 1	BBIE CI_Trade_Currency_Exchange.Target_Currency.Code Definition: The code specifying the target currency of a CI trade currency conversion. BRS Mapping CSC CUX0003 1..1 Target currency
0 .. 1	BBIE CI_Trade_Currency_Exchange.Target_Unit_Base.Numeric Definition: The numeric unit basis of the target currency used in this CI trade currency exchange rate calculation. BRS Mapping CSC CUX0004 0..1 Unit base target currency
0 .. 1	BBIE CI_Trade_Currency_Exchange.Market.Identifier Definition: The unique identifier of the currency exchange market from which the exchange rate is taken for CI trade purposes. BRS Mapping CSC CUX0007 0..1 Exchange Market ID
1 .. 1	BBIE CI_Trade_Currency_Exchange.Conversion.Rate Definition: The rate used for conversion from the source currency to the target currency for CI trade purposes. BRS Mapping CSC CUX0005 1..1 Exchange rate
0 .. 1	BBIE CI_Trade_Currency_Exchange.Conversion_Rate.Date_Time Definition: The date, time, date time or other date time value of the conversion rate for this CI trade currency exchange. BRS Mapping CSC CUX0006 0..1 Exchange date time
0 .. 1	ASBIE CI_Trade_Currency_Exchange.Referenced_CI_Referenced_Document Definition: The document referenced for this CI trade currency exchange. BRS Mapping CSC CUX0008 0..1 Foreign Exchange Contract - maybe PT should be qualified with Contract or Foreign Exchange Contract?

Occurrence	Element/Attribute
	ABIE CI_Trade_Delivery Terms. Details
0 .. 1	BBIE CI_Trade_Delivery Terms. Delivery Type. Code Definition: The code specifying the type of delivery for these CI trade delivery terms, such as an INCOTERMS code.
	BRS Mapping CSC DEL0001 0..1 Delivery terms code
0 .. unbounded	BBIE CI_Trade_Delivery Terms. Description. Text Definition: A textual description of the CI trade delivery terms.
	BRS Mapping CSC DEL0002 0..1 Delivery terms
0 .. 1	ASBIE CI_Trade_Delivery Terms. Relevant. CI_Trade_Location Definition: The trade location relevant for these CI trade delivery terms.
	BRS Mapping CSC DEL0003 0..1 Location

Occurrence	Element/Attribute
	ABIE CI_Trade_Location. Details
0 .. 1	BBIE CI_Trade_Location. Country. Identifier Definition: The unique identifier of a country location used or referenced in CI trade. BRS Mapping CSC DEL0004 0..1 Delivery Terms Country Identifier
0 .. 1	BBIE CI_Trade_Location. Country Name. Text Definition: The name, expressed as text, of a country location used or referenced in CI trade. BRS Mapping CSC DEL0005 0..1 Delivery Terms Country Name
0 .. 1	BBIE CI_Trade_Location. Identification. Identifier Definition: The unique identifier for this location used or referenced in CI trade. BRS Mapping CSC DEL0008 0..1 Trade Location Name
0 .. 1	BBIE CI_Trade_Location. Name. Text Definition: The name, expressed as text, of this location used or referenced in CI trade. BRS Mapping CSC DEL0007 0..1 Trade Location Name

Occurrence	Element/Attribute
	ABIE CI_Trade_Party_Details
0 .. unbounded	BBIE CI_Trade_Party. Identification. Identifier Definition: A unique identifier of this CI trade party. BRS Mapping CSC PAR0001 1..1 Party Identification
0 .. unbounded	BBIE CI_Trade_Party. Global_ Identification. Identifier Definition: A globally unique identifier of this CI trade party. BRS Mapping CSC PAR0002 0..* Party additional identification
0 .. 1	BBIE CI_Trade_Party. Name. Text Definition: The name, expressed as text, for this CI trade party. BRS Mapping CSC PAR0004 0..1 Party Name
0 .. 1	ASBIE CI_Trade_Party. Specified. CI_Legal_Organization Definition: The legally constituted organization specified for this CI trade party. BRS Mapping CSC PAR0010 0..1 Party Legal Entity
0 .. unbounded	ASBIE CI_Trade_Party. Defined. CI_Trade_Contact Definition: A trade contact defined for this CI trade party. BRS Mapping CSC PAR0016 0..1 Party Contract Contact BRS Mapping CSC PAR0017 0..1 Party Technical Contact BRS Mapping CSC PAR0018 0..1 Party New Development Contact BRS Mapping CSC PAR0019 0..1 Party Order Processing Contact BRS Mapping CSC PAR0020 0..1 Party Customer Relations Contact BRS Mapping CSC PAR0021 0..1 Party Delivery Contact BRS Mapping CSC PAR0022 0..1 Party Goods Receiving Contact BRS Mapping CSC PAR0023 0..1 Party Material Control Contact BRS Mapping CSC PAR0024 0..1 Party Information Contact BRS Mapping CSC PAR0025 0..1 Party Order Contact BRS Mapping CSC PAR0026 0..1 Party Sales Administration Contact BRS Mapping CSC PAR0027 0..1 Party Supplier Contact BRS Mapping CSC PAR0028 0..1 Party Technical Documentation Contact BRS Mapping CSC PAR0029 0..1 Party Accounting Contact
0 .. 1	ASBIE CI_Trade_Party. Postal. CI_Trade_Address Definition: The postal address for this CI trade party. BRS Mapping CSC PAR0030 0..1 Party Postal Address
0 .. unbounded	ASBIE CI_Trade_Party. URI. CI_Universal_Communication Definition: A Uniform Resource Identifier (URI) communication for this CI trade party, such as a web or email address. BRS Mapping CSC PAR0008 0..1 Party web-site_Uniform Resource Identification
0 .. unbounded	ASBIE CI_Trade_Party. Specified. CI_Tax_Registration Definition: A tax registration specified for this CI trade party. BRS Mapping CSC PAR0003 0..* Party tax Identification
0 .. 1	ASBIE CI_Trade_Party. End Point URI. CI_Universal_Communication Definition: The communication address of the end point URI for this CI trade party. BRS Mapping CSC PAR0007 0..1 Party End Point Identifier

Occurrence	Element/Attribute
	ABIE CI_Trade_Payment Discount Terms. Details
0 .. 1	BBIE CI_Trade_Payment Discount Terms. Basis. Date Time Definition: The date, time, date time, or other date time value used as the basis to calculate the discount in these CI trade payment discount terms.
0 .. 1	BBIE CI_Trade_Payment Discount Terms. Basis Period. Measure Definition: The measure of the basis period for these CI trade payment discount terms. BRS Mapping CSC PYT0008 0..1 Payment Discount Period
0 .. 1	BBIE CI_Trade_Payment Discount Terms. Basis. Amount Definition: The monetary value used as a basis to calculate the discount in these CI trade payment discount terms.
0 .. 1	BBIE CI_Trade_Payment Discount Terms. Calculation. Percent Definition: The percent used to calculate the discount in these CI trade payment discount terms. BRS Mapping CSC PYT0007 0..1 Payment Discount Percent
0 .. 1	BBIE CI_Trade_Payment Discount Terms. Actual Discount. Amount Definition: The monetary value of the actual discount in these CI trade payment discount terms. BRS Mapping CSC PYT0015 0..1 Payment Discount amount

Occurrence	Element/Attribute
	ABIE CI_Trade_Payment Penalty Terms. Details
0 .. 1	BBIE CI_Trade_Payment Penalty Terms. Basis. Date Time Definition: The date, time, date time, or other date time value used as the basis to calculate these CI trade payment penalty terms.
0 .. 1	BBIE CI_Trade_Payment Penalty Terms. Basis Period. Measure Definition: The measure of the period used as a basis to calculate these CI trade payment penalty terms. BRS Mapping CSC PYT0010 0..1 Penalty Period
0 .. 1	BBIE CI_Trade_Payment Penalty Terms. Basis. Amount Definition: The monetary value used as a basis to calculate these CI trade payment penalty terms.
0 .. 1	BBIE CI_Trade_Payment Penalty Terms. Calculation. Percent Definition: The percent used to calculate these CI trade payment penalty terms. BRS Mapping CSC PYT0009 0..1 Penalty Surcharge Percent
0 .. 1	BBIE CI_Trade_Payment Penalty Terms. Actual Penalty. Amount Definition: The monetary value of the actual penalty in these CI trade payment penalty terms. BRS Mapping CSC PYT0016 0..1 Payment terms penalty amount

Occurrence	Element/Attribute
	ABIE CI_Trade_Payment Terms. Details
0 .. 1	BBIE CI_Trade_Payment Terms. Identification. Identifier Definition: The unique identifier of these CI trade payment terms. BRS Mapping CSC PYT0001 0..1 Payment Terms Identification
0 .. 1	BBIE CI_Trade_Payment Terms. From Event. Code Definition: The code specifying the event from which these CI trade payment terms apply. BRS Mapping CSC PYT0002 0..1 Payment Terms time reference code
0 .. 1	BBIE CI_Trade_Payment Terms. Settlement Period. Measure Definition: The measure of the settlement period for these CI trade payment terms. BRS Mapping CSC PYT0003 0..1 Payment Terms number of periods
0 .. unbounded	BBIE CI_Trade_Payment Terms. Description. Text Definition: A textual description of these CI trade payment terms. BRS Mapping CSC PYT0004 0..* Payment Terms Note - Workbase is only 0..1
0 .. 1	BBIE CI_Trade_Payment Terms. Due Date. Date Time Definition: The date, time, date time, or other date time value of the due date specified by these CI trade payment terms. BRS Mapping CSC PYT0005 1..1 Payment Terms Due Date
0 .. 1	BBIE CI_Trade_Payment Terms. Instruction_ Type. Code Definition: The code specifying the type of instruction for these CI trade payment terms. BRS Mapping CSC PYT0006 0..1 Payment Terms Instruction ID
0 .. unbounded	BBIE CI_Trade_Payment Terms. Payment Means_ Identification. Identifier Definition: An identifier of the payment means in these CI trade payment terms. BRS Mapping CSC PYT0018 0..* Payment Means ID
0 .. 1	BBIE CI_Trade_Payment Terms. Partial Payment. Percent Definition: The partial payment, expressed as a percentage, in these CI trade payment terms. BRS Mapping CSC PYT0017 0..1 Payment Terms Percentage
0 .. unbounded	BBIE CI_Trade_Payment Terms. Direct Debit Mandate_ Identification. Identifier Definition: An identifier of a direct debit mandate in these CI trade payment terms.
0 .. 1	ASBIE CI_Trade_Payment Terms. Applicable. CI_Trade_Payment Penalty Terms Definition: Trade payment penalty terms applicable to these CI trade payment terms. BRS Mapping CSC PYT008a? 0..1 Mapping to Trade_Payment Penalty Terms missing in BRS
0 .. 1	ASBIE CI_Trade_Payment Terms. Applicable. CI_Trade_Payment Discount Terms Definition: Trade payment discount terms applicable to these CI trade payment terms. BRS Mapping CSC PYT006a? 0..1 Mapping to Trade_Payment Discount Terms missing in BRS

Occurrence	Element/Attribute
	ABIE CI_Trade_Price_Details
0 .. 1	BBIE CI_Trade_Price_Type.Code Definition: The code specifying the type of CI trade price. BRS Mapping CSC PRI0002 0..1 Price type code
1 .. unbounded	BBIE CI_Trade_Price_Charge.Amount Definition: A monetary value of this CI trade price charge. BRS Mapping CSC PRI0003 1..1 Price amount
0 .. 1	BBIE CI_Trade_Price_Basis.Quantity Definition: The quantity on which this CI trade price is based. BRS Mapping CSC PRI0004 0..1 Price base quantity
0 .. 1	BBIE CI_Trade_Price_Order_Unit_Conversion_Factor.Numeric Definition: The value used as the factor to convert the order unit into the price unit for this CI trade price. BRS Mapping CSC PRI0009 0..1 Orderable unit factor rate
0 .. unbounded	ASBIE CI_Trade_Price_Applied_CI_Trade_Allowance_Charge Definition: An allowance or charge applied to this CI trade price. BRS Mapping CSC PRI0005 0.* Price allowance charge
0 .. 1	ASBIE CI_Trade_Price_Validity_CI_Specified_Period Definition: The specified period for which this CI trade price is valid. BRS Mapping CSC PRI0006 0..1 Validity period
0 .. unbounded	ASBIE CI_Trade_Price_Referenced_CI_Referenced_Document Definition: A document referenced for this CI trade price. BRS Mapping CSC PRI0008 0..1 Pricing Reference Document

Occurrence	Element/Attribute
	ABIE CI_Trade_Product Instance. Details
0 .. 1	BBIE CI_Trade_Product Instance. Global Serial_ Identification. Identifier Definition: The unique global serial identifier for this CI trade product instance. BRS Mapping CSC PIN0004 0..* Serial number - D08B cardinality is 0..1
0 .. 1	BBIE CI_Trade_Product Instance. Batch_ Identification. Identifier Definition: The unique batch identifier for this CI trade product instance. BRS Mapping CSC PIN0002 0..1 Batch number
0 .. 1	BBIE CI_Trade_Product Instance. Kanban_ Identification. Identifier Definition: The unique kanban identifier for this CI trade product instance. BRS Mapping CSC PIN0005 0..1 Kanban number
0 .. 1	BBIE CI_Trade_Product Instance. Supplier Assigned Serial_ Identification. Identifier Definition: The unique supplier assigned serial identifier for this CI trade product instance. BRS Mapping CSC PIN0001 0..1 Supplier item identification
0 .. 1	BBIE CI_Trade_Product Instance. Best Before. Date Time Definition: The date, time, date time, or other date time value before which it is best to consume this CI trade product instance. BRS Mapping CSC PIN0007 0..1 Best before date time
0 .. 1	BBIE CI_Trade_Product Instance. Expiry. Date Time Definition: The date, time, date time, or other date time value of expiry of this CI trade product instance. BRS Mapping CSC PIN0008 0..1 Expiration date time
0 .. 1	BBIE CI_Trade_Product Instance. Sell By. Date Time Definition: The date, time, date time, or other date time value after which this CI trade product instance should not be sold. BRS Mapping CSC PIN0010 0..1 Sell by date
0 .. unbounded	ASBIE CI_Trade_Product Instance. Product. CI_Product_Characteristic Definition: A product characteristic for this CI trade product instance. BRS Mapping CSC PIN0011 0..* Characteristic
0 .. 1	ASBIE CI_Trade_Product Instance. Production. CI_Supply Chain_Event Definition: The production event for this CI trade product instance.
0 .. 1	ASBIE CI_Trade_Product Instance. Packaging. CI_Supply Chain_Event Definition: The packaging event for this CI trade product instance.

Occurrence	Element/Attribute
	ABIE CI_Trade_Product. Details
0 .. 1	—BBIE CI_Trade_Product. Identification. Identifier Definition: The unique identifier for this CI trade product.
0 .. 1	—BBIE CI_Trade_Product. Global_ Identification. Identifier Definition: The unique global identifier for this CI trade product.
0 .. 1	—BBIE CI_Trade_Product. Seller Assigned_ Identification. Identifier Definition: The unique seller assigned identifier for this CI trade product. BRS Mapping CSC PRO0001 0..1 Supplier item identifier - PRO0006 is duplicate in BRS
0 .. 1	—BBIE CI_Trade_Product. Buyer Assigned_ Identification. Identifier Definition: The unique buyer assigned identifier for this CI trade product. BRS Mapping CSC PRO0005 0..1 Customer article number
0 .. 1	—BBIE CI_Trade_Product. Manufacturer Assigned_ Identification. Identifier Definition: The unique manufacturer assigned identifier for this CI trade product. BRS Mapping CSC PRO0002 0..1 Manufacturer item identifier - PRO0007 is duplicate in BRS
0 .. 1	—BBIE CI_Trade_Product. Name. Text Definition: The name, expressed as text, for this CI trade product. BRS Mapping CSC PRO0009 0..1 Article Name
0 .. 1	—BBIE CI_Trade_Product. Trade_ Name. Text Definition: The trade name, expressed as text, for this CI trade product. BRS Mapping CSC PRO0010 0..1 Trade Name
0 .. 1	—BBIE CI_Trade_Product. Description. Text Definition: The textual description for this CI trade product. BRS Mapping CSC PRO0008 0..1 Article Description
0 .. 1	—BBIE CI_Trade_Product. Type. Code Definition: The code specifying the type of CI trade product.
0 .. 1	—BBIE CI_Trade_Product. Net Weight. Measure Definition: The measure of the net weight (mass) of this CI trade product. BRS Mapping CSC PRO0015 0..1 Trade Weight_Net
0 .. 1	—BBIE CI_Trade_Product. Gross Weight. Measure Definition: The measure of the gross weight (mass) of this CI trade product. BRS Mapping CSC PRO0015 0..1 Trade Weight_Gross
0 .. unbounded	—ASBIE CI_Trade_Product. Applicable. CI_Product_ Characteristic Definition: A product characteristic applicable to this CI trade product. BRS Mapping CSC PRO0011 0..* Characteristic
0 .. unbounded	—ASBIE CI_Trade_Product. Applicable. CI_Material_ Goods Characteristic Definition: A material goods characteristic applicable to this CI trade product. BRS Mapping CSC PRO0012 0..* Material
0 .. unbounded	—ASBIE CI_Trade_Product. Designated. CI_Product_ Classification Definition: A product classification designated for this CI trade product. BRS Mapping CSC PRO0013 0..* Product Classification
0 .. unbounded	—ASBIE CI_Trade_Product. Individual. CI_Trade_Product Instance Definition: An individual instance of this Cross Industry (CI) trade product. BRS Mapping CSC PRO0014 0..* Product Instance
0 .. unbounded	—ASBIE CI_Trade_Product. Certification Evidence_ Reference. CI_ Referenced_ Document Definition: A Cross Industry (CI) certification evidence document reference for this CI trade product. BRS Mapping CSC PRO0017 0..* Certificate
0 .. unbounded	—ASBIE CI_Trade_Product. Inspection_ Reference. CI_ Referenced_ Document Definition: A Cross Industry (CI) inspection document referenced from this CI trade product. BRS Mapping CSC PRO0018 0..* Inspection document
0 .. 1	—ASBIE CI_Trade_Product. Origin. CI_Trade_Country Definition: The country of origin for this Cross Industry (CI) trade product. BRS Mapping CSC PRO0003 0..1 Origin Country Code
0 .. 1	—ASBIE CI_Trade_Product. Linear. CI_Spatial_ Dimension Definition: Linear spatial dimensions of this Cross Industry (CI) trade product. BRS Mapping CSC PRO0022 0..1 Nominal dimension
0 .. 1	—ASBIE CI_Trade_Product. Minimum_ Linear. CI_Spatial_ Dimension Definition: Minimum linear spatial dimensions of this Cross Industry (CI) trade product. BRS Mapping CSC PRO0023 0..1 Minimum dimension

Occurrence	Element/Attribute
0 .. 1	<p>ASBIE CI_Trade_Product.Maximum_Linear_CI_Spatial_Dimension Definition: Maximum linear spatial dimensions of this Cross Industry (CI) trade product.</p> <p>BRS Mapping CSC PRO0024 0..1 Maximum dimension</p>
0 .. 1	<p>ASBIE CI_Trade_Product.Manufacturer_CI_Trade_Party Definition: The party who is the manufacturer of this Cross Industry (CI) trade product.</p> <p>BRS Mapping CSC PRO0016 0..1 Manufacturer</p>

Occurrence	Element/Attribute
	ABIE CI_Trade_Tax. Details
0 .. unbounded	BBIE CI_Trade_Tax. Calculated. Amount Definition: A monetary value resulting from the calculation of this CI trade related tax, levy or duty. BRS Mapping CSC TAX0002 0..1 Taxable amount - TAX006 is a duplicate in BRS
0 .. 1	BBIE CI_Trade_Tax. Type. Code Definition: The code specifying the type of CI trade related tax, levy or duty, such as a code for a Value Added Tax (VAT). BRS Mapping CSC TXS0001 0..1 Tax fee type
0 .. 1	BBIE CI_Trade_Tax. Exemption Reason. Text Definition: The reason, expressed as text, for exemption from this CI trade related tax, levy or duty. BRS Mapping CSC TAX0011 0..1 Tax fee exemption reason text
0 .. 1	BBIE CI_Trade_Tax. Calculated. Rate Definition: The rate used to calculate the amount of this CI trade related tax, levy or duty. BRS Mapping CSC TAX0020 0..1 Tax Fee Category Rate
0 .. 1	BBIE CI_Trade_Tax. Calculation Sequence. Numeric Definition: The numeric expression of the sequence in which this CI trade related tax is to be or has been applied when multiple taxes are applicable per calculation, such as first "Value Added Tax (VAT)", second "Transfer". BRS Mapping CSC TAX0010 0..1 Calculation sequence number
0 .. 1	BBIE CI_Trade_Tax. Basis. Quantity Definition: The quantity used as the basis for calculating the amount of this CI trade related tax, levy or duty. BRS Mapping CSC TAX0014 0..1 Base unit measure - should a new BBIE qualified by Unit be added to Trade Tax for this - for a more accurate mapping to match TAX0015?
0 .. unbounded	BBIE CI_Trade_Tax. Basis. Amount Definition: A monetary value used as the basis on which this CI trade related tax, levy or duty is calculated. BRS Mapping CSC TAX0001 0..1 Taxable amount - TAX005 is a duplicate in BRS
0 .. unbounded	BBIE CI_Trade_Tax. Unit_Basis. Amount Definition: A monetary value that constitutes the per unit basis on which this CI trade related tax, levy or duty is calculated. BRS Mapping CSC TAX0015 0..1 Per unit amount
0 .. 1	BBIE CI_Trade_Tax. Category. Code Definition: The code specifying the category to which this CI trade related tax, levy or duty applies, such as codes for "Exempt from Tax", "Standard Rate", "Free Export Item - Tax Not Charged" . BRS Mapping CSC TAX0018 0..1 Tax category code
0 .. 1	BBIE CI_Trade_Tax. Currency. Code Definition: The code specifying the currency for this CI trade related tax, levy or duty. BRS Mapping CSC TXS0004 0..1 Currency code
0 .. unbounded	BBIE CI_Trade_Tax. Jurisdiction. Text Definition: A jurisdiction, expressed as text, to which this CI trade related tax, levy or duty applies. BRS Mapping CSC TXS0002 0..1 Tax fee jurisdiction text
0 .. 1	BBIE CI_Trade_Tax. Customs Duty. Indicator Definition: The indication of whether or not this CI trade related tax, levy or duty is a customs duty. BRS Mapping CSC TXS0005 0..1 Tax Fee indicator - is this mapped correctly, maybe new BCC/BBIE needed?
0 .. 1	BBIE CI_Trade_Tax. Exemption Reason. Code Definition: The code specifying a reason for exemption from this CI trade related tax, levy or duty. BRS Mapping CSC TAX0012 0..1 Tax fee exemption reason code
0 .. 1	BBIE CI_Trade_Tax. Tax Basis Allowance. Rate Definition: The rate of the tax basis allowance (deduction or discount) used to calculate the CI trade related tax, levy or duty. BRS Mapping CSC TAX0016 0..1 Taxable amount allowance rate
0 .. 1	BBIE CI_Trade_Tax. Tax Point. Date Definition: The date of the tax point when this CI trade related tax, levy or duty becomes applicable. BRS Mapping CSC TAX0021 0..1 Tax Point Date
0 .. 1	BBIE CI_Trade_Tax. Type. Text Definition: The type, expressed as text, of this CI trade related tax, levy or duty. BRS Mapping CSC TXS0003 0..1 Tax fee name
0 .. unbounded	BBIE CI_Trade_Tax. Information. Amount Definition: A monetary value being reported for information for this CI trade related tax, levy or duty.
0 .. unbounded	BBIE CI_Trade_Tax. Category Name. Text Definition: A category name, expressed as text, of this CI trade related tax, levy or duty.

Occurrence	Element/Attribute
0 .. 1	<p>BRS Mapping CSC TAX0019 0..1 Tax category text</p> <p>BBIE CI_Trade_Tax. Due Date Type. Code</p> <p>Definition: The code specifying a type of due date for this CI trade tax.</p> <p>BRS Mapping CSC TAX0022 0..1 Tax Due Date Type Code</p>
0 .. unbounded	<p>ASBIE CI_Trade_Tax. Specified. CI_Trade_Accounting Account</p> <p>Definition: A specified accounting account for this CI trade related tax, levy or duty.</p>
0 .. 1	<p>ASBIE CI_Trade_Tax. Buyer Deductible Tax_Specified. CI_Trade_Accounting Account</p> <p>Definition: The buyer deductible tax specified accounting account for this CI trade related tax, levy or duty.</p> <p>BRS Mapping CSC TAX0008 0.* Accounting Account</p>
0 .. 1	<p>ASBIE CI_Trade_Tax. Buyer Non-Deductible Tax_Specified. CI_Trade_Accounting Account</p> <p>Definition: The buyer non-deductible tax specified accounting account for this CI trade related tax, levy or duty.</p> <p>BRS Mapping CSC TAX0008 0.* Accounting Account</p>
0 .. 1	<p>ASBIE CI_Trade_Tax. Buyer Repayable Tax_Specified. CI_Trade_Accounting Account</p> <p>Definition: The buyer repayable tax specified accounting account for this CI trade related tax, levy or duty.</p> <p>BRS Mapping CSC TAX0008 0.* Accounting Account</p>
0 .. 1	<p>ASBIE CI_Trade_Tax. Seller Payable Tax_Specified. CI_Trade_Accounting Account</p> <p>Definition: The seller payable tax specified accounting account for this CI trade related tax, levy or duty.</p> <p>BRS Mapping CSC TAX0008 0.* Accounting Account</p>
0 .. 1	<p>ASBIE CI_Trade_Tax. Seller Refundable Tax_Specified. CI_Trade_Accounting Account</p> <p>Definition: The seller refundable tax specified accounting account for this CI trade related tax, levy or duty.</p> <p>BRS Mapping CSC TAX0008 0.* Accounting Account</p>
0 .. 1	<p>ASBIE CI_Trade_Tax. Service Supply. CI_Trade_Country</p> <p>Definition: The country where a service was supplied for this CI trade tax.</p> <p>BRS Mapping CSC TAX0023 0..1 Place of Supply</p>

Occurrence	Element/Attribute
	ABIE CI_ Universal_ Communication. Details
0 .. 1	BBIE CI_ Universal_ Communication. URI. Identifier Definition: The Uniform Resource Identifier (URI), such as a web or an email address, for this CI universal communication.
	BRS Mapping CSC COM0002 0..1 URI identifier
0 .. 1	BBIE CI_ Universal_ Communication. Channel. Code Definition: The code specifying the channel or manner in which a CI universal communication can be made, such as telephone or email.
	BRS Mapping CSC COM0004 0..1 Channel Code
0 .. 1	BBIE CI_ Universal_ Communication. Complete Number. Text Definition: The text string of characters that make up the complete number for this CI universal communication.
	BRS Mapping CSC COM0005 0..1 Complete Number

Occurrence	Element/Attribute
	ABIE Financial Institution_ Address. Details
0 .. 1	BBIE Financial Institution_ Address. Postcode. Code Definition: The code specifying the postcode for this financial institution address.
0 .. 1	BBIE Financial Institution_ Address. Building Number. Text Definition: The number, expressed as text, of the building on a street for this financial institution address.
0 .. 1	BBIE Financial Institution_ Address. Line One. Text Definition: The first free form line, expressed as text, of this financial institution address.
0 .. 1	BBIE Financial Institution_ Address. Line Two. Text Definition: The second free form line, expressed as text, of this financial institution address.
0 .. 1	BBIE Financial Institution_ Address. Line Three. Text Definition: The third free form line, expressed as text, of this financial institution address.
0 .. 1	BBIE Financial Institution_ Address. Line Four. Text Definition: The fourth free form line, expressed as text, of this financial institution address.
0 .. 1	BBIE Financial Institution_ Address. Line Five. Text Definition: The fifth free form line, expressed as text, of this financial institution address.
0 .. 1	BBIE Financial Institution_ Address. Street Name. Text Definition: The name, expressed as text, of the street or thoroughfare for this financial institution address.
0 .. 1	BBIE Financial Institution_ Address. City Name. Text Definition: The name, expressed as text, of the city, town or village of this financial institution address.
0 .. 1	BBIE Financial Institution_ Address. Country Sub-Division. Identifier Definition: The unique identifier of a country sub-division for this financial institution address (Reference ISO 3166 and UN/ECE Rec 3).
0 .. 1	BBIE Financial Institution_ Address. Country. Identifier Definition: The unique identifier of a country for this financial institution address (Reference ISO 3166 and UN/ECE Rec 3).
0 .. 1	BBIE Financial Institution_ Address. Type. Code Definition: The code specifying the type of financial institution address.
0 .. 1	BBIE Financial Institution_ Address. Department Name. Text Definition: The name, expressed as text, of a department within this financial institution address.
0 .. 1	BBIE Financial Institution_ Address. Post Office Box. Text Definition: The post office box, expressed as text, for this financial institution address.
0 .. 1	BBIE Financial Institution_ Address. City. Identifier Definition: The unique identifier of the city for this financial institution address, such as United Nations Location Code (UNLOCODE).
0 .. 1	BBIE Financial Institution_ Address. Country Sub-Division Name. Text Definition: The name, expressed as text, of a country sub-division within this financial institution address.
0 .. 1	BBIE Financial Institution_ Address. Country Name. Text Definition: The name, expressed as text, of the country within this financial institution address.

Occurrence	Element/Attribute
	ABIE Specified_ Binary File. Details
0 .. unbounded	—BBIE Specified_ Binary File. Identification. Identifier Definition: A unique identifier for this specified binary file.
0 .. unbounded	—BBIE Specified_ Binary File. Title. Text Definition: A title, expressed as text, for this specified binary file.
0 .. unbounded	—BBIE Specified_ Binary File. Author Name. Text Definition: A name of an author, expressed as text, of this specified binary file.
0 .. unbounded	—BBIE Specified_ Binary File. Version. Identifier Definition: A unique version identifier for this specified binary file.
0 .. unbounded	—BBIE Specified_ Binary File. File Name. Text Definition: A file name, expressed as text, of this specified binary file.
0 .. unbounded	—BBIE Specified_ Binary File. URI. Identifier Definition: A unique Uniform Resource Identifier (URI) for this specified binary file.
0 .. unbounded	—BBIE Specified_ Binary File. MIME. Code Definition: A code specifying the Multipurpose Internet Mail Extensions (MIME) type for this specified binary file.
0 .. unbounded	—BBIE Specified_ Binary File. Encoding. Code Definition: A code specifying the encoding of this specified binary file.
0 .. unbounded	—BBIE Specified_ Binary File. Character Set. Code Definition: A code specifying the character set for this specified binary file.
0 .. unbounded	—BBIE Specified_ Binary File. Included. Binary Object Definition: A binary object included in this specified binary file.
0 .. unbounded	—BBIE Specified_ Binary File. Access. Text Definition: Access information, expressed as text, for this specified binary file, such as security and download parameters.
0 .. unbounded	—BBIE Specified_ Binary File. Description. Text Definition: A textual description of this specified binary file.
0 .. unbounded	—BBIE Specified_ Binary File. Size. Measure Definition: A measure of the size of this specified binary file.
0 .. unbounded	— ASBIE Specified_ Binary File. Access Availability. Specified_ Period Definition: A specified period when access to this binary file is available.

Occurrence	Element/Attribute
------------	-------------------

Occurrence	Element/Attribute
	ABIE Specified_Period. Details
0 .. unbounded	BBIE Specified_Period. Duration. Measure Definition: A measure of the length of time for this specified time period such as hours, days, weeks, months, years.
0 .. 1	BBIE Specified_Period. Inclusive. Indicator Definition: The indication of whether or not the start and end dates are included in this specified period.
0 .. unbounded	BBIE Specified_Period. Description. Text Definition: A textual description of this specified period of time.
0 .. 1	BBIE Specified_Period. Start. Date Time Definition: The date, time, date time or other date time value for the start of this specified period of time.
0 .. 1	BBIE Specified_Period. End. Date Time Definition: The date, time, date time or other date time value for the end of this specified period of time.
0 .. 1	BBIE Specified_Period. Complete. Date Time Definition: The date, time, date time or other date time value for a complete specified period of time expressed as a specific month, a specific week, etc.
0 .. 1	BBIE Specified_Period. Open. Indicator Definition: The indication of whether or not an entity is open during this specified period.
0 .. 1	BBIE Specified_Period. Season. Code Definition: The code specifying the season for this specified period.
0 .. 1	BBIE Specified_Period. Identification. Identifier Definition: The unique identifier of this specified period.
0 .. unbounded	BBIE Specified_Period. Name. Text Definition: A name, expressed as text, of this specified period.
0 .. unbounded	BBIE Specified_Period. Sequence. Numeric Definition: A sequence number for this specified period.
0 .. 1	BBIE Specified_Period. Start Date Flexibility. Code Definition: The code specifying the flexibility of the start date of this specified period.
0 .. 1	BBIE Specified_Period. Continuous. Indicator Definition: The indication of whether or not this specified period is continuous.

Occurrence	Element/Attribute
	ABIE Trade Settlement_ Financial Card. Details
0 .. 1	BBIE Trade Settlement_ Financial Card. Microchip. Indicator Definition: The indication of whether or not this trade settlement financial card has a microchip.
0 .. 1	BBIE Trade Settlement_ Financial Card. Identification. Identifier Definition: The unique identifier, commonly known as the card number, of this trade settlement financial card. BRS Mapping CSC FCA0001 0..1 Identification
0 .. 1	BBIE Trade Settlement_ Financial Card. Type. Code Definition: The code specifying the type of this trade settlement financial card, such as debit or credit. BRS Mapping CSC FCA0002 0..1 Type Code
0 .. 1	BBIE Trade Settlement_ Financial Card. Cardholder Name. Text Definition: The cardholder name as it appears on this trade settlement financial card. This may include both an individual authorized to use the card as well as the organization that owns the card. BRS Mapping CSC FCA0003 0..1 Cardholder name
0 .. 1	BBIE Trade Settlement_ Financial Card. Expiry. Date Definition: The date of expiry up to which this trade settlement financial card is valid. BRS Mapping CSC FCA0004 0..1 Expiry Date
0 .. 1	BBIE Trade Settlement_ Financial Card. Verification. Numeric Definition: The unique card verification number for security purposes to help verify the card user is in actual possession of this trade settlement financial card.
0 .. 1	BBIE Trade Settlement_ Financial Card. Valid From. Date Time Definition: The date from which this trade settlement financial card is valid.
0 .. unbounded	BBIE Trade Settlement_ Financial Card. Credit Limit. Amount Definition: A monetary value of the credit limit for this trade settlement financial card. BRS Mapping CSC FCA0005 0..* Credit Limit
0 .. unbounded	BBIE Trade Settlement_ Financial Card. Credit Available. Amount Definition: A monetary value of the credit available for this trade settlement financial card. BRS Mapping CSC FCA0001 0..1 Identification BRS Mapping CSC FCA0006 0..* Available amount
0 .. 1	BBIE Trade Settlement_ Financial Card. Interest Rate. Percent Definition: The interest rate expressed as a percentage for this trade settlement financial card. BRS Mapping CSC FCA0007 0..1 Interest Rate

8. Core components UN/CEFACT Registry version used

This RSM is based on the UN/CEFACT Core Component Library (CCL), version 09A.

9. Draft Core Component reference

All the Aggregate Business Information Entities (ABIES) required to meet the business requirements of CII V2 are defined in section 7.2 of this RSM and correspond to the same entries in CCL09A

10. Additional documentation

This section identifies any additional documentation that will be registered with the canonical model in respect to the BCCs or ACCs that have been provided for registration in the UN/CEFACT Registry.

Not applicable at this point in time.

11. Additional information



CII Business
Message 1.0.xlsx

Message assembly Excel sheet: