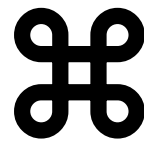


# **COMPUTERIZATION of TIR transit procedure**



## **Comparison and possible solutions**

Belgrade, 13.-14.9.2011

Mr. Jaroslav Ilie

# Content

- **Present situation (TIR-EPD)**
- **Lodgement of electronic declaration**
- **Electronic declaration and a Service provider as a direct representative**
- **Electronic declaration and IRU as a Service provider and a direct representative**

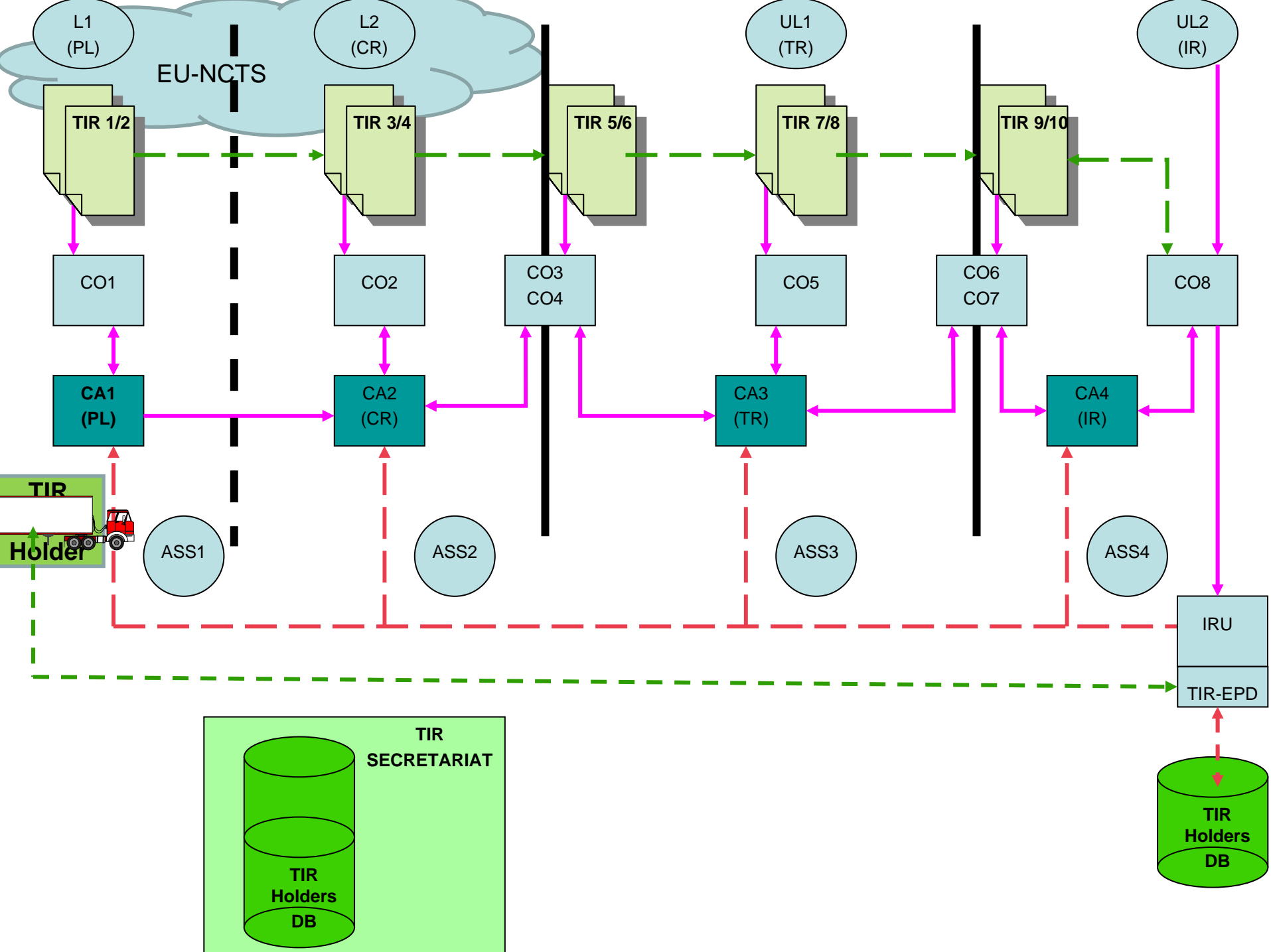
# List of abbreviations:

- **L1..2** = place of loading at CO of Departure
- **UL1..n** = place of unloading at CO of Destination
- **CO1..n** = competent Customs Office
- **CA1..n** = competent Customs Administration
- **ASS1..n** = national association for TIR Carnets
- **IRU** = International Road Transport Union
- **EU-NCTS** = New Transit Computerised System used in EU or EFTA countries
- **PL** = Poland, **CR** = Czech Republic, **TR** = Turkey, **IR** = Iran
- **eTIR1..n** = electronic transit declaration for TIR operation
- **e-Sig1..n** = mean of electronic authentication of transit declaration (e.g. electronic signature)
- **DB** = database

# Present situation (TIR-EPD)

- TIR Carnet as a set of written customs declarations
- Voluntary or obligatory lodgement of data of TIR Carnet to the Customs authorities
- National (incl. NCTS) or TIR-EPD solutions for data lodgement
- Possible usage of representative for data lodgement

⇒ **First step of computerisation**



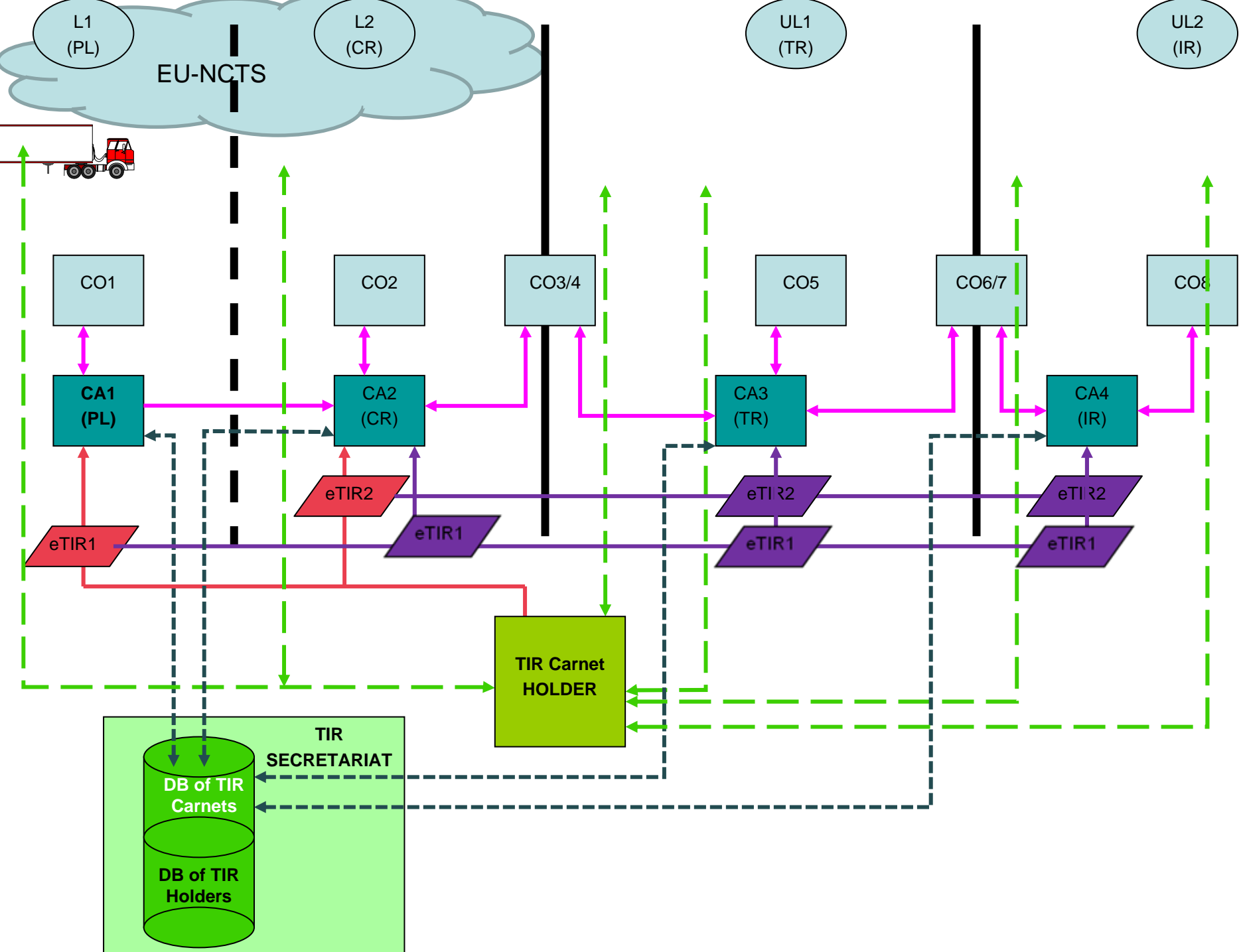
# **Lodgement of electronic declaration**

**International convention on the simplification and harmonisation of customs procedures (Kyoto convention):**

- **International transit procedure (EU-EFTA)**
- **National transit procedure (TIR operation)**
- **General annex, Chapter 9**

**National legislation (Customs & general)**

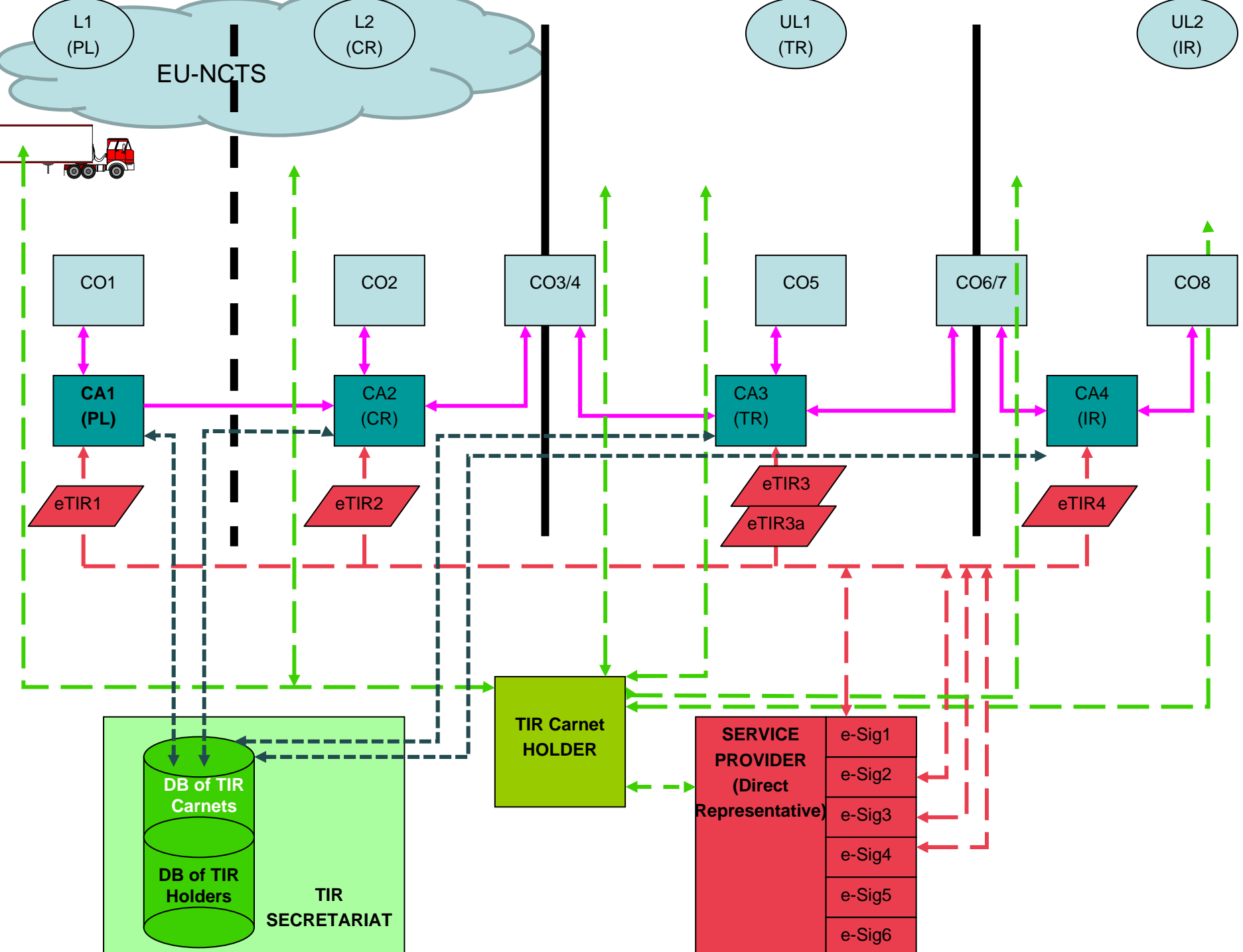
**Possible use of direct representative**



# **Lodgement of electronic declaration**

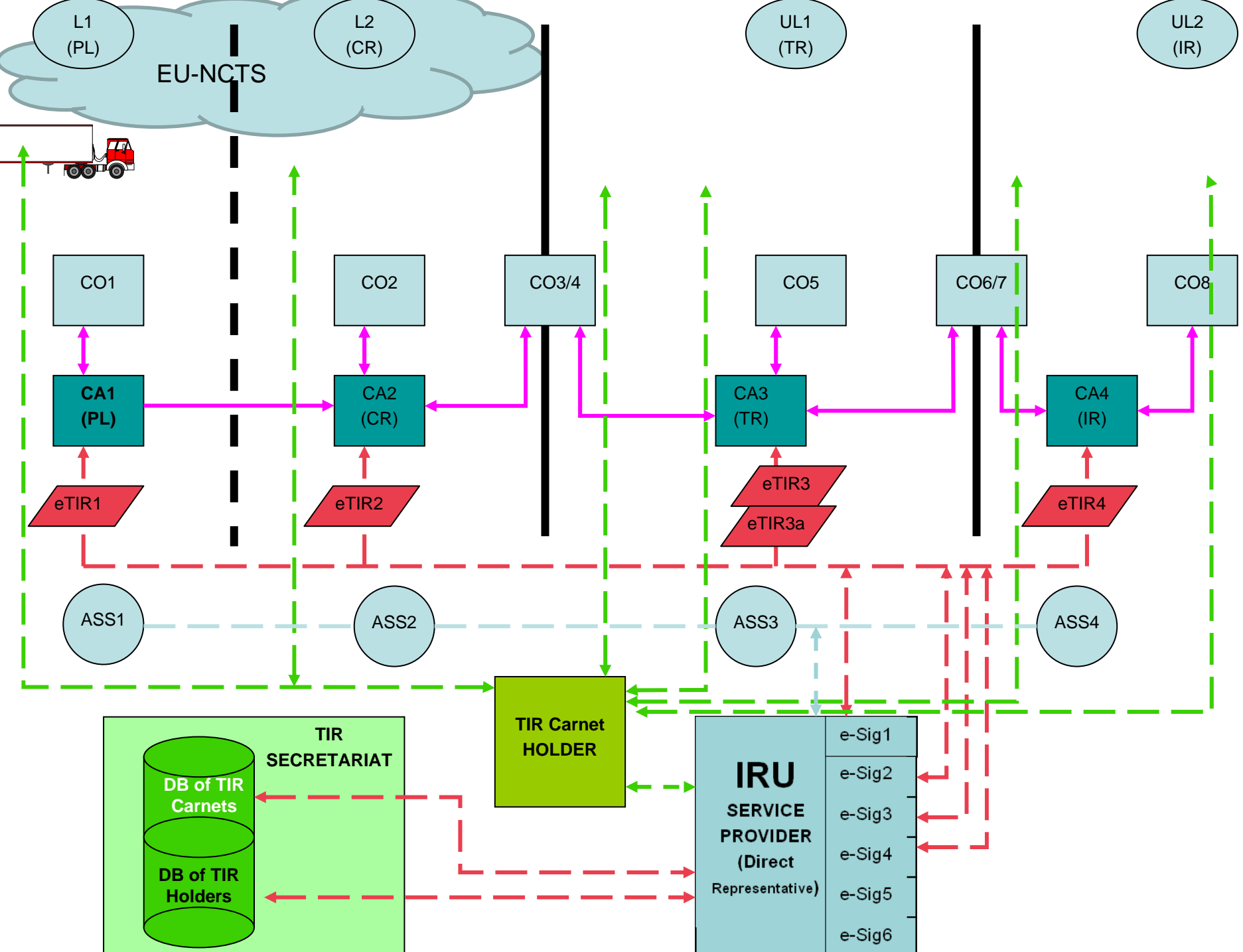
- **National Customs legislation (e-declaration & e-communication)**
- **General National legislation - mean of authentication (e.g. e-Signature)**
- **Possible use of direct representative(s) as the Service provider(es):**
  - **One mean of authentication per Contracting p.**
  - **Harmonisation with National legislation**
  - **Cost reduction for TIR Carnet holders**
  - **Communication with Office of Guarantee**





# **Lodgement of electronic declaration**

- **NCTS should be used for eTIR within EU-EFTA countries (2011=30, 2015=35?, ...)**
- **IRU can develop a TIR-EPD as a direct representative and the Service provider**
  - **Detailed overview on TIR operations for IRU**
  - **Detailed overview on TIR operations for national associations**
  - **Cost reduction for TIR Carnet holders**
  - **Communication with Office of Guarantee**



**THANK YOU**  
**for kind attention**

**Any questions, comments, remarks?**