

ECONOMIC COMMISSION FOR EUROPE

INLAND TRANSPORT COMMITTEE

Working Party on the Transport of Perishable Foodstuffs

Sixtieth session,
Geneva, 2-5 November 2004
Item 7 (b) of the provisional agenda

ATP BODY KITS

Transmitted by the Liaison Committee of the Body and Trailer Building Industry (CLCCR)

This informal document is based on the working document TRANS/WP11/2004/2. Its content is essentially the same as that of the working document. Following the advice of one of the contracting parties to the ATP Agreement, some wording has been changed to be more in line with the ATP style of phrasing things. All changes to the text have been put in bold.

Introduction

It has been common practice for many years for bodies of ATP vehicles to be assembled from a kit, but no procedure for approval of a body assembled from a kit is incorporated into the ATP Agreement. This has led to some malpractice and to problems with the K-value of these vehicles; problems which WP11 is seeking to resolve.

At the 2002 session of WP11, CLCCR offered to draft a proposal, based on the contents of documents previously submitted to WP11 on this subject and based on current best practice.

At the 2003 session of WP11, CLCCR introduced the promised proposal in document TRANS/WP11/2003/7. Delegates to the 2003 session of WP11 made a number of observations and recommendations and the meeting requested CLCCR to incorporate these observations and recommendations into the text and to re-submit the proposal for consideration at the 2004 session of WP11.

This document is the revised proposal as requested. It consists of the text of TRANS/WP11/2003/7 with incorporated into it all the comments and recommendations made at the 2003 session of WP11 by the various delegations.

The numbering follows the existing ATP text; the numbering in brackets refers to the proposed new structure of the text.

Justification

The procedures as laid down in this proposal enable the use of an ATP Type Test Certificate for subsequent identical kits when a set of specified requirements are met.

Under this proposal the manufacturer of the kit, as holder of the ATP Type Test Certificate, is responsible for the finished product.

Summary

The proposal introduces definitions for the entities involved, assigns the responsibilities for the stages of manufacture and the subsequent approval processes.

The proposal establishes the requirements placed upon the kit manufacturer and upon the assembler. The proposal also introduces the documentation required to be supplied to the ATP approval authority in the country of registration.

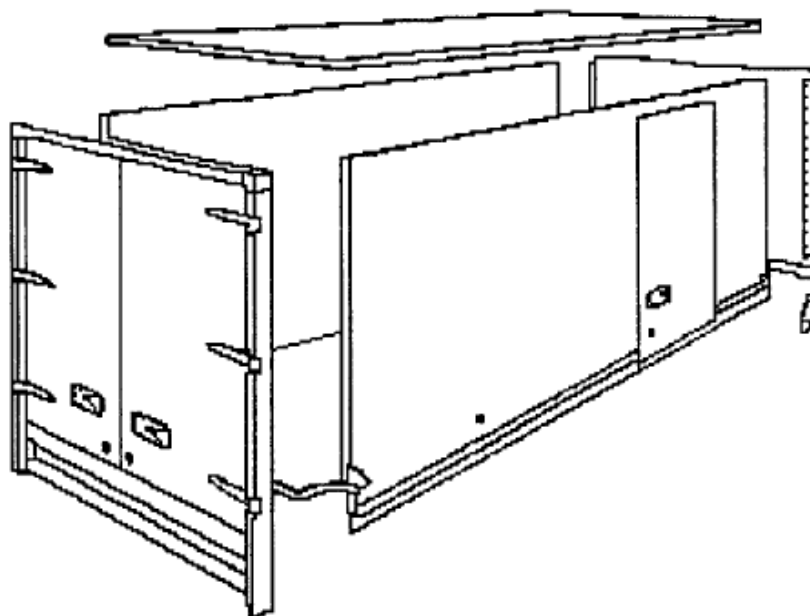
In Annex 1, Appendix 2 of the ATP Agreement, (renumber sections 5, 6 and 7 to read 6, 7 and 8 and) insert the following (new section 5):

E (5) BODY KITS

61 (5.1) Definitions

For the purposes of this part:

- (a) Body kit: means the constituent parts of an insulated body consisting of as a minimum, those parts of importance to the overall heat transfer: side walls, a roof, a floor, a front end and a rear end, as well as their means of connection. The major parts of a body kit are delivered in a non-assembled form. Rear frame and door(s), if any, **shall** be supplied fully assembled and operable. Side door(s), if any, **shall** be built into the side walls and be fully operable;



- (b) Body: means a body kit that has been assembled in accordance with the manufacturer's instructions and which is in conformity with the type that has been tested and approved by an approved testing station;
- (c) Manufacturer: means the organisation that has design **and production** responsibility for the kit and to which the Type Test Certificate has been issued;
- (d) Assembler: means the organization that has assembled the body kit in conformance with the manufacturer's instructions.

62 (5.2) Manufacturer's obligations [responsibilities]

The manufacturer **shall** have a body assembled from a kit ATP type tested prior to supplying kits to assemblers. An ATP type test for a particular kit remains valid for 6 years or 100 kits. After 6 years or after 100 kits a new ATP type test is to be carried out.

The manufacturer **shall** ensure that the kit delivered corresponds with the type tested and that the inside surface area does not vary by more than +/- 20% of the surface area of the type tested.

The manufacturer **shall** attest that the assembler has the competence to assemble the kit in accordance with the manufacturer's instructions. The manufacturer shall conduct audits at least every 3 years, to verify the continued competence of the assembler.

The manufacturer **shall** supply at least all parts as used in the ATP type test.

The manufacturer **shall** provide the assembler with a parts list corresponding to the kit delivered. The parts list **shall** bear the kit serial number. The manufacturer **shall** provide detailed assembly instructions with each kit. These instructions **shall** include the principal internal dimensions of length, height and width.

The manufacturer **shall** supply evidence to the assembler that the constituent parts of the kit are in conformity with the parts used in the construction that has been tested and approved by the approved testing station.

The manufacturer **shall** deliver a filled-in type plate installed on the kit. The type plate **shall** state the manufacturer's trade name and/or mark, address, kit serial number and kit production date.

The manufacturer's instructions **shall** provide details on at least the following:

- the assembly sequence;
- the attachment of the floor to the vehicle;
- the fixing of the refrigeration unit, if applicable; and
- details on the handling and use of all those components contributing to the heat transfer. This includes the adhesive(s).

The manufacturer **shall** keep a record relating kit serial numbers to the assembler to which the kits were supplied.

The manufacturer **shall** complete the Declaration of Compliance of the Body Kit with the ATP Type Test Report (Model No 11).

63 (5.3) Assembler's obligations [responsibilities]

Before assembly of the first kit, the assembler **shall** be in possession of a certificate issued by the kit manufacturer attesting his competence in relation to the type of kit to be assembled.

The original type plate installed by the manufacturer **shall** not be removed by the assembler.

The assembler **shall** ensure that the manufacture's instructions are fully adhered to and that an appropriate quality management system is practiced.

The assembler **shall** complete the Declaration of Compliance for a Body assembled from a Kit (Model No 12).

64 (5.4) Approval process

Bodies may be sold in the name of the manufacturer and/or of the assembler. However, it **shall** be possible to identify the manufacturer from the documentation and from the type plate. If it is not possible to identify the manufacturer, the body **shall** be considered as a new type and must be **submitted for test** by an approved testing station. The subsequent re-testing renders the original type test invalid and the manufacturer no longer bears any responsibility in relation to the body.

The type test certificate issued to the manufacturer by the approved testing station shall only remain valid, if:

- the kit supplied contains at least all those parts as used in the ATP type test;
- the internal dimensions of the kit supplied have not been changed;
- the manufacturer's assembly instructions have been fully complied with; and
- any additional equipment affecting the overall heat transfer was present at the time of the original type test.

Where this requirement is not fully complied with, a new ATP type test **shall** be conducted.

In addition to the normal documentation required under the ATP Agreement for an individual ATP approval certificate, the following **shall** be supplied:

- a test report;
- a declaration by the manufacturer of compliance of the Body Kit with the ATP Type Test Report (Model No 11);
- a declaration of conformity for a Body assembled from a kit, completed by the assembler (Model No 12); and
- a copy of the certificate issued by the manufacturer attesting the competence of the assembler to assemble the kit for which approval is being sought (Model No 13).

Declarations **shall** be in at least one language of the ATP.

The competent ATP Authority may inspect [or check] each equipment [by applying paragraphs 29 (6) and 49b (7)], prior to issuing an ATP certificate.

MODEL No. 11

**Declaration by the manufacturer of compliance of the Body Kit with
the ATP Type Test Report**

Manufacturer's

Name and

Address

Type of equipment(lorry, semi-trailer, trailer, container, etc.)

Body kit serial number

Date of manufacture of the body kit

Internal dimensions of the body that was ATP type tested (mm):

length, **width**, **height**

External dimensions of the body that was ATP type tested (mm):

length, **width**, **height**

Thickness of insulation (mm): side wall....., **roof**..... **floor**.....

front end....., **rear end**, **door**

Name of testing station and ATP type test report number

.....
.....

K-value **W/m²K** (according to the ATP type test report)

Date of ATP type test report

The manufacturer certifies that all parts supplied within this Body Kit conform to the parts as used in the Body that was ATP Type tested.

Signature of manufacturer

Manufacturer's stamp

Name

Function in company

Date

MODEL No. 12

Declaration of Conformity for a Body assembled from a kit

Manufacturer's

Name and.....

Address

Type of equipment (lorry, semi-trailer, trailer, container, etc.)

Body kit serial number

Date of manufacture of the body kit

Internal dimensions (mm): length....., **width**, **height**

External dimensions (mm): length....., **width**, **height**

Thickness of insulation (mm): side wall....., **roof**....., **floor**

front end....., **rear end**, **door**

Name of testing station and ATP type test report number

.....

K-value **W/m²K** (according to the ATP type test report)

Date of the ATP type test report

Assembler's

Name and

Address

Assembler's identification of body (if any)

The assembler certifies that for the above body the manufacturer's instructions have been strictly adhered to and that no modifications to the body have been carried out.

Signature of assembler

Assembler's stamp

Name

Function in company

Date

MODEL No. 13

**Certificate attesting the competence of an assembler
to assemble a specific ATP body kit**

We, the undersigned ATP body kit manufacturer, hereby attest that (name of company or individual)
..... has successfully completed a course on the assembly of
ATP body kit (type/model n°)

The company/individual stated above has satisfied us of their/his competence to assemble this kit
professionally. This company/individual is therefore approved as a qualified assembler for the ATP
Body Kit referenced above.

Signature of manufacturer

Manufacturer's stamp

Name

Function in company

Date
