

Transmitted by the expert from Germany

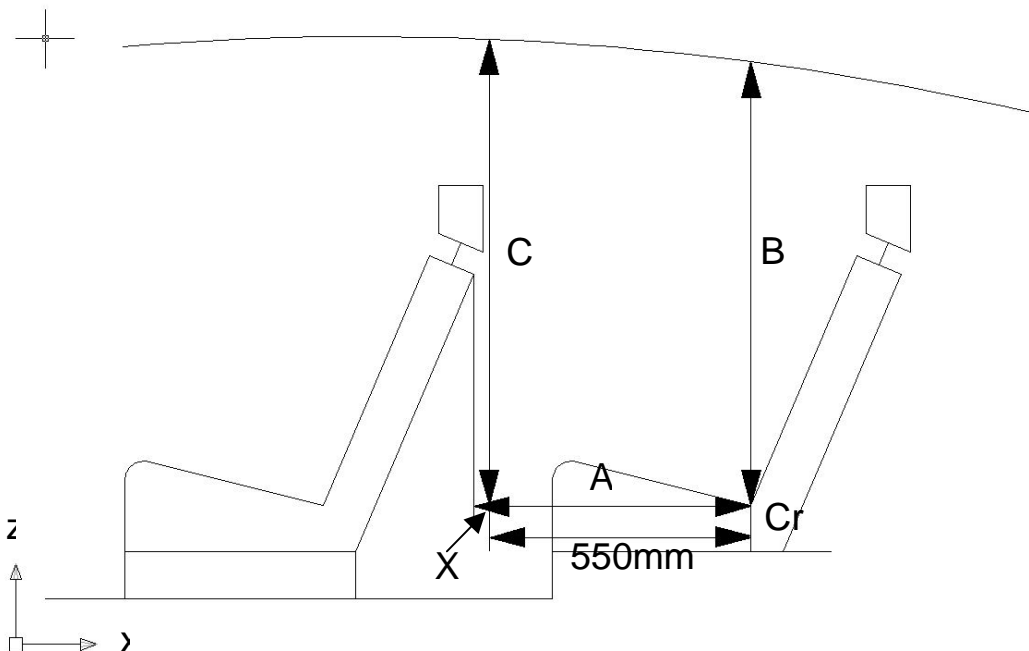
Informal document No. GRSP-40-05  
(40th GRSP, December 2006,  
agenda item B.1.5.)

### **Measurement of Available Space in Cars: 800mm Plane in Regulation No. 44**

Note: The text reproduced below was prepared in order to provide data in respect of the Document ECE/TRANS/WP.29/GRSP/2006/9. This document was issued by CLEPA to amend the Regulation with regard to the horizontal plane requirement of 800 mm. During the discussions of that subject in the last GRSP sessions it was felt necessary to provide data for GRSP about the available space in cars in account of the 800mm plane. These data were taken from the rear bench of the most common cars in Germany and Sweden (Volvo). On page 2 the measurements are explained and demonstrated with a graph. On page 3 and following the measured data (only distances B on the graph of page 2) are listed.

800mm Plane in Regulation No. 44 – Measurement of available space in cars  
Proposed Measurement Procedure

1. Front seat adjustment
  - a. Adjust front seat in longitudinal direction at mid travel. Adjust height at mid travel if applicable.
  - b. Adjust seat back angle so that it reaches  $25^\circ$  with respect to a vertical axis
2. Rear seat adjustment
  - a. If applicable adjust the rear seat, using the same method as for the front seat
3. Determining Seat Cr point
  - a. Using the Gabarit defined in UN ECE R16 regulation, determine the Cr point of both rear and front seats
4. Determining point X
  - a. Point X lies in a horizontal plane passing through point Cr such as the Distance XCr = 550 mm. Determine X for both rear and front seats
5. Measuring distances A, B and C for rear and front seats
  - a. Measure distance A which is defined as the horizontal distance from the Cr point to the nearest point of the rear of the front seat.
  - b. Measure distance B which is defined as the vertical distance from the CR Point to the roof.
  - c. Measure distance C where C is the vertical distance from X point to the roof



Manufacturer	Model	Model Year	Distance B (mm)
AUDI	A2, 1.2 TDI	4/2001	915
	A2	2000	915
	A3, S3 (AB2)	05/2003	905
	A4, S4, RS4, B6,B7	11/2000	895
	S6 Avant (C6)	01/2004	945
	A8, S8 (D3)	11/2002	905
	Q7	03/2006	920
BMW	1 series	2005	920
	3 series		910
	5 series		902
	6 series		864 (Cabriolet)
	7 series		944
	X3		934
	X5		945
	Z4		883
	Mini		920
CITROEN	C8 (as Fiat Ulysse)	2003	970, 910 (2., 3.row)
	Xsara Picasso		915
FIAT	Ulysse	2003	970, 910 (2., 3.row)
FORD	Focus C-Max	2003	920
	Focus	11/2004	920
	Galaxy	03/2006	940
	Maverick		910
	S-Max	03/2006	940
LANCIA	Phedra	2003	970 (2. row)
MAZDA	2		930
	3	10/2003	935
	5	02/2005	970
	6 / Atenza	05/2002	945
	RX-8	04/2003	900
MERCEDES	A-Class	05/2005	950
	B-Class	06/2005	950
	C-Class Coupé	05/2001	880
	CLS-Class	10/2004	870
	R-Class	12/2005	895
	S-Class	09/2002	920
	Viano, Vito	2004	1100
OPEL	Astra	03/2004	935
	Corsa C	09/2000	920
	Meriva	02/2002	920
	Vectra-C or -CC	04/2002	940
	Vectra Caravan	09/2003	940
	Zafira B	05/2005	940
PEUGEOT	107	2005	910
	206	06/2000	905
	207	2006	910
	307 Limousine	2001	940
	307 Estate	2002	910

Manufacturer	Model	Model Year	Distance B (mm)
PEUGEOT	407	204	890
	1007	01/2005	940
RENAULT	Clio	09/1998	932
	Espace	01/2000	937
	Laguna	01/2001	887
	Megane 2	09/2002	887
	Megane Scenic	07/2003	907
	Twingo	06/2002	867
	Vel Satis	01/2002	942
SEAT	Arosa	1998	900
	Alhambra	1998	940
SKODA	Fabia	08/1999	900
	Octavia II	2004	925
	Roomster	03/2006	990
	Superb	10/2001	880
TOYOTA	Avensis	01/2003	940
	Corolla	10/2001	935
	Prius	10/2003	900
	Yaris	2005	890
VOLVO	V70		914
	S40		888
	S60 R		937
VW	Caddy	2000	1090
	Fox	2005	890
	Golf IV Limousine	09/1997	885
	Golf V	09/2003	950
	Golf plus	2005	925
	Jetta	2005	905
	Lupo	1998	900
	New Beetle	1998	860
	New Beetle Cabrio	2002	910
	Passat B6	2005	915
	Polo	2005	910
	Polo (A 04)	10/2001	910
	Sharan	1998	880
	T4 Multivan 2	02/1999	940
	T5 Multivan	2003	960
	Touareg	2002	1070
	Touran	2003	933