

Transmitted by IWG SLR

Informal document GRE-74-18
(74th GRE, 20-23 October 2015,
agenda items 4 and 5)

Simplification of Regulations

Light Sources Regulations

Nos. 37, 99, 128

Clarification
10 October 2015

GRE IWG SLR

Informal **Working Group** Simplification of **Lighting Regulations**

Content

1. Introduction
2. Drafting principles
3. Documents
4. Open items
5. Timelines

Similar structure

Light source regulations

Scope

Administrative provisions

Technical requirements

Conformity of production

Names and addresses of Technical Services ...

Transitional provisions

Annexes

Sheets for light source categories

Communication

Example of the arrangement of the approval mark

Prescriptions for technical testing

Prescriptions for conformity of production

Administrative
Technical
Category Sheets

Analysis

amendments
Statistics

Bubbles

Size

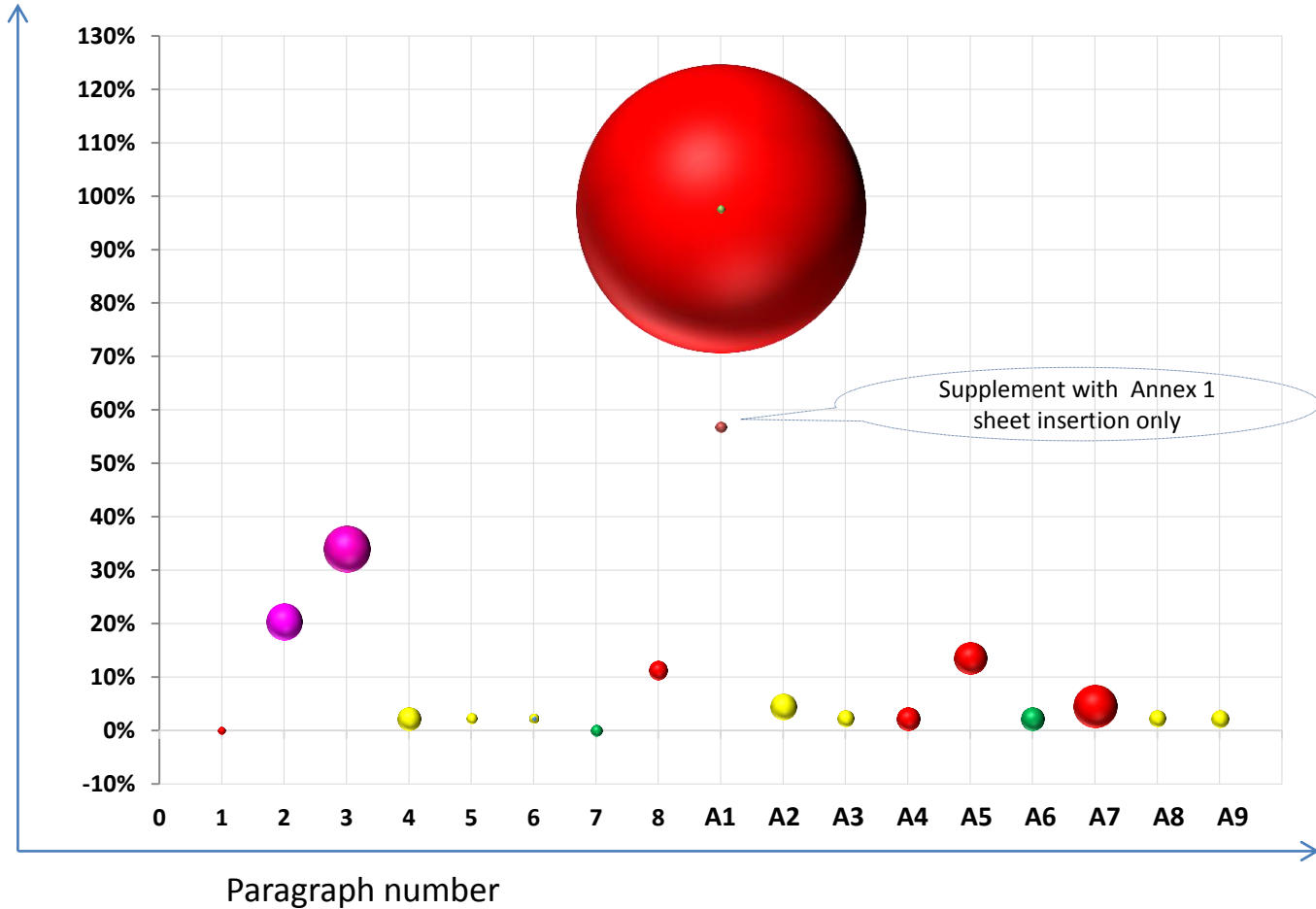
Reflects number of pages per paragraph/annex

Colour

- Green Common text shared between light source regulations
- Yellow Common text with minor technology related lines
- Purple Common text with frequent technology related lines
- Red Totally different paragraphs

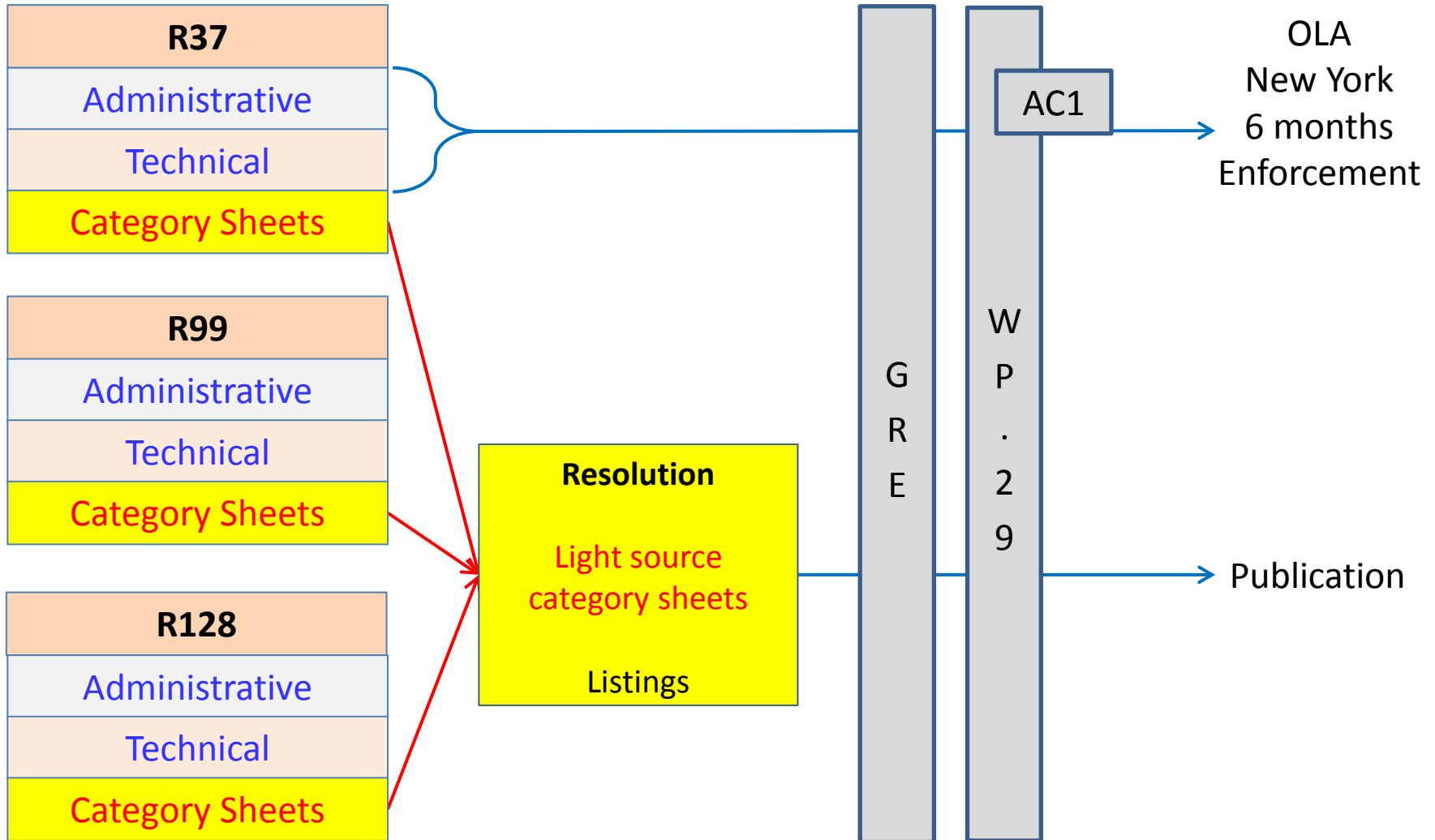
Percentage of supplements amending a paragraph/annex

R37



R37 03 series
In effect for 28 years
44 Supplements

Concept for simplification



PROCESSING PROPOSALS

Example Proposals	Light source category		Process
	General requirements	Category specific requirements	
Extension of the approval code	x		Amendment of Regulation
Introduction of a new category		x	Revision of the Depository
Two independent proposals in the same GRE session	x	x	Separate processes: 1. Amendment of Regulation 2. Revision of the Depository
Introduction of a new family of categories related and test requirements	x	x	Publication of the Revision of Depository should wait until the amendment of the related regulation enters into force



2. Drafting principles

- Priority on 58 agreement
- Sheets in the Resolution
- Requirements in the Regulations
- A minimum of general provisions in the Resolution; although sometimes a requirement can also be considered as a characteristic, e.g. colour of light
- Minimum of references to UN Regulations
- Removal of redundant specifications
- Improving consistency over technologies; e.g. groupings of categories, title and scope of Reg's
- Dynamic reference to (revisions) of the Resolution

3. Documents

Drafted as Amendments to the Regulations (bold and strikethrough marks)

GRE/2015/25	R37
GRE/2015/26	R99
GRE/2015/27	R128

Drafted as a New Resolution (no marks to amended original/ new content)

GRE/2015/28	Resolution
-------------	------------

The complete text including amendments (blue marks)

GRE-74-03	R37
GRE-74-04	R99
GRE-74-05	R128
GRE-74-06	Resolution (amended as was in R37, 99, 128)

Summary of amended paragraphs/ Justifications

GRE-74-07	List of amendments
-----------	--------------------

Fine-tuning

GRE-74-xx	Missing length of PY21/5W; [...] in R99
-----------	---

4. Open items [..]

- Adoption of WP.29/2015/81; Nov; D9S AC1
- References in R37, 99, 128 to the colour specifications in Regulation 48 or ...? later
- Resolution
 - Title and document number WP.29 and Secretariat
 - Envisaged date of enforcement WP.29
 - Three references from Resolution to Regulations left Later for 98 agreement
 - English only WP.29

5. TIMELINES

GRE 74
Oct 2015

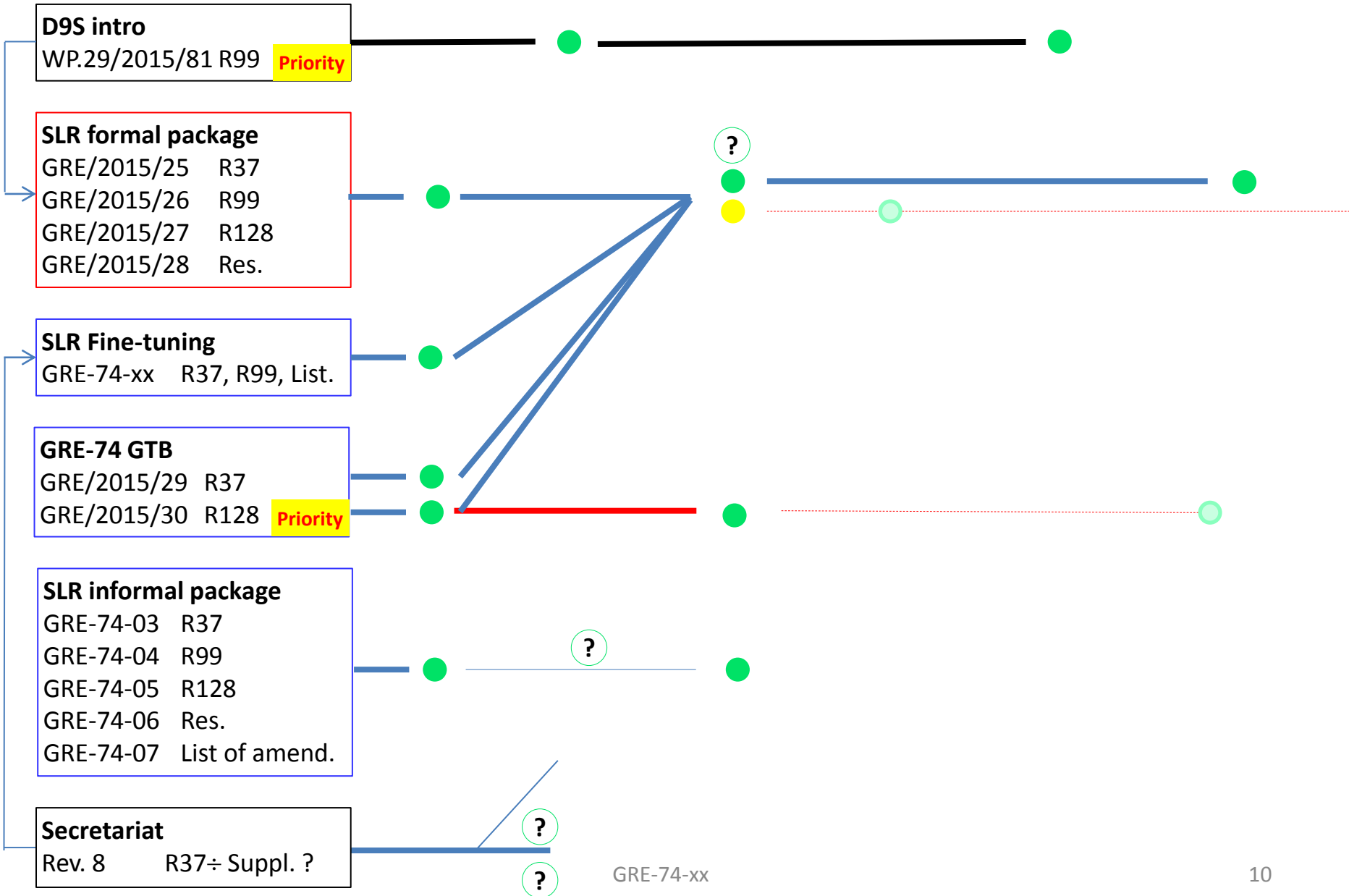
WP.29 167
Nov 2015

WP.29 168
Mar 2016

WP.29 169
June 2016

In force
Ca. July 2016

Reg. In force
Res. Published
Ca. Nov 2016



GRE-74-xx

END